

ANTANKER



Your Small Engine Parts Specialists

2017

CATALOGUE



Small Parts Change The Big World



Though there has been more than 100 years history for outdoor power industry in the world, China general power machinery industry has less than 20 years' development only until 2017. In the year of 2007, the exporting of Chinese small engines and power machines experienced explosive growth. Just in the same year, we started our **SMALL ENGINE PARTS** business.

After market parts for Honda, Briggs&Stratton, Kohler, Robin, Stihl, Husqvarna, Yanmar, Wacker and etc.



PARTS INDEX

 Cylinder Group 1



 Lubrication - Control Group 24



 Piston - Con. Rod - Crankshaft Group 38



 Camshaft - Valve Group 59



 Recoil Starter - Fan Cover Group 69



 Ignition Group 81



PARTS INDEX

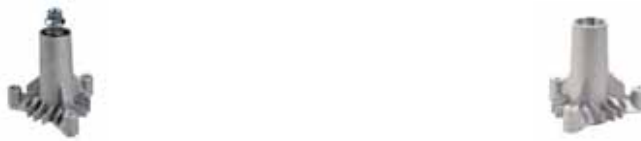
	Trimmer Line Group	199
--	--------------------------	-----



	Trimmer Head Group	202
--	--------------------------	-----



	Spindle Group.....	205
--	--------------------	-----



	Blade Group	235
--	-------------------	-----



	Guide Bar Group	246
--	-----------------------	-----



	Lawn Mower Parts Group.....	250
--	-----------------------------	-----



	Wheel & Tire Group.....	255
--	-------------------------	-----



PLEASE NOTE:

All references to original equipment manufacturers (OEM) in this catalogue, other than those that ANTANKER PARTS CHINA LIMITED is authorized to represent, their parts names, photographs and parts number are used for identification purposes only. It is not our intention, unless specifically stated, to imply that the products are original equipment.

The copy or reproduction of this catalogue or parts thereof is strictly prohibited without prior written consent of ANTANKER PARTS CHINA LIMITED. Copyright © 2017.

ANTANKER

PARTS

The background features a stylized world map in shades of orange and red, with a hexagonal grid pattern in the lower right. A light blue horizontal band is positioned behind the main title. At the bottom, there is a silhouette of a city skyline with various skyscrapers.

Small Engine Parts

CYLINDER

GROUP

CYLINDER HEAD COMP
REPLACES: Honda

 GX160
 GX200 GX240
 GX270 GX340
 GX390 GX440

MOQ: 30

Antanker No.	OEM No.	Model
AT101-HD160-00	12210-ZH8-020	GX160
AT101-HD200-00	12210-ZL0-000	GX200
AT101-HD240-00	12200-ZH9-000	GX240
AT101-HD270-00	12200-ZH9-000	GX270
AT101-HD340-00	12200-ZF6-W01	GX340
AT101-HD390-00	12200-ZF6-W01	GX390
AT101-HD440-00	12210-Z2E-405	GX440

CYLINDER HEAD COMP
REPLACES: Honda

 G100
MOQ: 30


Antanker No.	OEM No.	Model
AT101-HDG100-00	12000-ZG0-020	G100

CYLINDER HEAD
REPLACES: Yanmar

L48 L70 L100

MOQ: 30


Antanker No.	OEM No.	Model
AT101-YM170-00	114250-11020	L48
AT101-YM178-00	114350-11021	L70
AT101-YM186-00	114650-11100	L100

CYLINDER HEAD
REPLACES: Robin

EY20

MOQ: 30


Antanker No.	OEM No.	Model
AT101-RBY20-00	227-13001-13	EY20

CYLINDER BARREL ASSEMBLY
REPLACES: Honda

 GX160 GX200
 GX240 GX270
 GX340 GX390

MOQ: 20

(Without Oil Level Switch Hole)

Antanker No.	OEM No.	Model
AT102-HD160-00	12000-ZH8-425	GX160
AT102-HD200-00	12000-ZL0-811	GX200
AT102-HD240-00	12000-ZE2-040	GX240
AT102-HD270-00	12000-ZH9-000	GX270
AT102-HD340-00	120A0-ZE3-040	GX340
AT102-HD390-00	12200-ZF6-W02	GX390

CYLINDER BARREL ASSEMBLY
REPLACES: Honda

 GX160 GX200
 GX240 GX270
 GX340 GX390

MOQ: 20

(With Oil Level Switch Hole)

Antanker No.	OEM No.	Model
AT102-HD160-01	12000-ZH8-425	GX160
AT102-HD200-01	12000-ZL0-811	GX200
AT102-HD240-01	12000-ZE2-040	GX240
AT102-HD270-01	12000-ZH9-000	GX270
AT102-HD340-01	120A0-ZE3-040	GX340
AT102-HD390-01	12200-ZF6-W02	GX390

CYLINDER BARREL ASSY
REPLACES: Honda

 GX100
MOQ: 20


Antanker No.	OEM No.	Model
AT102-HD100-00	12000-Z0D-405	GX100

CRANKCASE SET

REPLACES: Honda
GX25
MOQ: 20



Antanker No.	OEM No.	Model
AT102-HD25-00	10100-Z0H-415 10100-Z0H-425	GX25

CRANKCASE.COMP

REPLACES: Robin
EY20
MOQ: 20



Antanker No.	OEM No.	Model
AT102-RBY20-00	227-10101-21	EY20

CRANKCASE

REPLACES: Yanmar
L48 L70 L100
MOQ: 20



Antanker No.	OEM No.	Model
AT102-YM170-00	714771-01560	L48
AT102-YM178-00	714871-01560	L70
AT102-YM186-00	714970-01560	L100

MAIN BEARING COVER, COMP

REPLACES: Robin
EY20
MOQ: 30



Antanker No.	OEM No.	Model
AT103-RBY20-00	227-11002-31	EY20

CRANKCASE SET

REPLACES: Honda
GX35
MOQ: 20



Antanker No.	OEM No.	Model
AT102-HD35-00	10100-Z0Z-405	GX35

CRANKCASE.COMP

REPLACES: Robin
EY28
MOQ: 20



(Recoil start type)

Antanker No.	OEM No.	Model
AT102-RBY28-00	234-10101-31	EY28

CYLINDER

REPLACES: Yamaha
ET950
MOQ: 50



Antanker No.	OEM No.	Model
AT102-YMH950-00	7CE-WE510-00	ET950

CRANKCASE COVER ASSY

REPLACES: Honda
GX160
GX200 GX240
GX270 GX340
GX390
MOQ: 30



Antanker No.	OEM No.	Model
AT103-HD160-00	11300-ZE1-020	GX160
AT103-HD200-00	11300-ZE1-633	GX200
AT103-HD240-00	11300-ZE2-601	GX240
AT103-HD270-00	11300-ZE2-602	GX270
AT103-HD340-00	11300-ZE3-602	GX340
AT103-HD390-00	11300-ZE3-604	GX390

CRANKCASE COVER
REPLACES: Yanmar

L48 L70 L100

MOQ: 30


Antanker No.	OEM No.	Model
AT103-YM170-00	114260-01453	L48
AT103-YM178-00	114360-01453	L70
AT103-YM186-00	114660-01470	L100

CRANKCASE COVER ASSY
REPLACES: Honda

GX100

MOQ: 30


Antanker No.	OEM No.	Model
AT103-HD100-00	11300-Z0D-405	GX100

HEAD COVER COMP.
REPLACES: Honda

GXV160

MOQ: 50


Antanker No.	OEM No.	Model
AT104-HDXV160-00	12311-ZG9-800	GXV160

HEAD COVER
REPLACES: Robin

EY20

MOQ: 50


Antanker No.	OEM No.	Model
AT104-RBY20-00	227-52701-03	EY20

CYLINDER HEAD GASKET
REPLACES: Honda

GX270

GX440

MOQ: 100


(Yellow line, with asbestos)

Antanker No.	OEM No.	Model
AT105-HD270-01	12251-ZH9-000	GX270
AT105-HD440-01	12251-ZF6-W00	GX440

HEAD COVER COMP.
REPLACES: Honda

GX160

GX200

MOQ: 50


Antanker No.	OEM No.	Model
AT104-HD160-00	12310-ZE1-010	GX160
AT104-HD200-00	12310-ZE1-010	GX200

HEAD COVER COMP.
REPLACES: Honda

GX240 GX270

GX340 GX390

MOQ: 50


Antanker No.	OEM No.	Model
AT104-HD240-00	12310-ZE2-020	GX240
AT104-HD270-00	12310-ZE2-020	GX270
AT104-HD340-00	12310-ZE2-020	GX340
AT104-HD390-00	12310-ZE2-020	GX390

HEAD COVER COMP.
REPLACES: Honda

G100

MOQ: 50


Antanker No.	OEM No.	Model
AT104-HDG100-00	12221-ZG0-030	G100

CYLINDER HEAD COVER
REPLACES: Yanmar

L48 L70 L100

MOQ: 50


Antanker No.	OEM No.	Model
AT104-YM170-00	114250-11951	L48
AT104-YM178-00	114250-11951	L70
AT104-YM186-00	114650-11950	L100

CYLINDER HEAD GASKET

REPLACES: Honda

GX120 GX160

GX200 GX240

GX340 GX390

MOQ: 100



(Red line, without asbestos)

Antanker No.	OEM No.	Model
AT105-HD120-20	12251-ZF0-000	GX120
AT105-HD160-20	12251-ZF1-800	GX160
AT105-HD200-20	12251-ZL0-003	GX200
AT105-HD240-20	12251-ZE2-800	GX240
AT105-HD340-20	12251-ZE3-W00	GX340
AT105-HD390-20	12251-ZF6-W00	GX390

CYLINDER HEAD GASKET

REPLACES: Honda

GX120 GX160

GX200 GX240

GX340 GX390

MOQ: 100



(Red line, with asbestos)

Antanker No.	OEM No.	Model
AT105-HD120-00	12251-ZF0-000	GX120
AT105-HD160-00	12251-ZF1-800	GX160
AT105-HD200-00	12251-ZL0-003	GX200
AT105-HD240-00	12251-ZE2-800	GX240
AT105-HD340-00	12251-ZE3-W00	GX340
AT105-HD390-00	12251-ZF6-W00	GX390

CYLINDER HEAD GASKET

REPLACES: Honda

GX120 GX160

GX240 GX270

GX340 GX390

MOQ: 100



(Gray, with asbestos)

Antanker No.	OEM No.	Model
AT105-HD120-02	12251-ZF0-000	GX120
AT105-HD160-02	12251-ZF1-800	GX160
AT105-HD240-02	12251-ZE2-800	GX240
AT105-HD270-02	12251-ZH9-000	GX270
AT105-HD340-02	12251-ZE3-W00	GX340
AT105-HD390-02	12251-ZF6-W00	GX390

CYLINDER HEAD GASKET

REPLACES: Honda

GX270

GX440

MOQ: 100



(Yellow line, without asbestos)

Antanker No.	OEM No.	Model
AT105-HD270-21	12251-ZH9-000	GX270
AT105-HD440-21	12251-ZF6-W00	GX440

CYLINDER HEAD GASKET

REPLACES: Honda

GX200 GX390

MOQ: 100



(Metal, Black)

Antanker No.	OEM No.	Model
AT105-HD200-10	12251-ZL0-003	GX200
AT105-HD390-10	12251-ZF6-W00	GX390

CYLINDER HEAD GASKET

REPLACES: Honda

GX120 GX160

GX240 GX270

GX340 GX390

MOQ: 100



(Gray, without asbestos)

Antanker No.	OEM No.	Model
AT105-HD120-22	12251-ZF0-000	GX120
AT105-HD160-22	12251-ZF1-800	GX160
AT105-HD240-22	12251-ZE2-800	GX240
AT105-HD270-22	12251-ZH9-000	GX270
AT105-HD340-22	12251-ZE3-W00	GX340
AT105-HD390-22	12251-ZF6-W00	GX390

CYLINDER HEAD GASKET

REPLACES: Honda
GX200
MOQ: 100



(Metal, Silver White)

Antanker No.	OEM No.	Model
AT105-HD200-11	12251-ZL0-003	GX200

CYLINDER HEAD GASKET

REPLACES: Honda
GX620 GX670
MOQ: 200



(Without asbestos)

Antanker No.	OEM No.	Model
AT105-HD620-20	12251-ZJ1-841	GX620
AT105-HD670-20	12251-ZJ1-841	GX670

CYLINDER HEAD GASKET

REPLACES: Briggs & Stratton
27670 272167 395000
MOQ: 100



Antanker No.	OEM No.	Model
	27670	
AT105-BS27670	272167	B&S
	395000	

CYLINDER HEAD GASKET

REPLACES: Briggs & Stratton
270340 272170 272535
MOQ: 100



Antanker No.	OEM No.	Model
	270340	
AT105-BS270340	272170	B&S
	272535	

CYLINDER HEAD GASKET

REPLACES: Yanmar
L48 L70 L100
MOQ: 100



(coppery)

Antanker No.	OEM No.	Model
AT105-YM170-00	114770-01340	L48
AT105-YM178-00	114870-01340	L70
AT105-YM186-00	114970-01340	L100

CYLINDER HEAD GASKET

REPLACES: Honda
GX620 GX670
MOQ: 200



(With asbestos)

Antanker No.	OEM No.	Model
AT105-HD620-00	12251-ZJ1-841	GX620
AT105-HD670-00	12251-ZJ1-841	GX670

CYLINDER HEAD GASKET

REPLACES: Honda
GXV 160
MOQ: 200



(With asbestos)

Antanker No.	OEM No.	Model
AT105-HDXV 160-00	12251-ZE7-000	GXV 160

CYLINDER HEAD GASKET

REPLACES: Honda
GXV 160
MOQ: 200



(Without asbestos)

Antanker No.	OEM No.	Model
AT105-HDXV 160-20	12251-ZE7-000	GXV 160

CYLINDER HEAD GASKET

REPLACES: Briggs & Stratton
272200 272200S
MOQ: 100



Antanker No.	OEM No.	Model
	272200	
AT105-BS272200	272200S	B&S

CYLINDER HEAD GASKET

REPLACES: Robin
EY20
MOQ: 100



(with asbestos)

Antanker No.	OEM No.	Model
AT105-RBY20-00	227-15001-11	EY20

CYLINDER HEAD GASKET

REPLACES: Robin
EY20
MOQ: 100



(without asbestos)

Antanker No.	OEM No.	Model
AT105-RBY20-20	227-15001-11	EY20

HEAD COVER PACKING

REPLACES: Honda
GX120 GX160
GX200
MOQ: 100



(Thin type)

Antanker No.	OEM No.	Model
AT106-HD120-00	12391-ZE1-000	GX120
AT106-HD160-00	12391-ZE1-000	GX160
AT106-HD200-00	12391-ZE1-000	GX200

HEAD COVER PACKING

REPLACES: Honda
GX120 GX160
GX200
MOQ: 100



(Wide type)

Antanker No.	OEM No.	Model
AT106-HD120-01	12391-ZE1-000	GX120
AT106-HD160-01	12391-ZE1-000	GX160
AT106-HD200-01	12391-ZE1-000	GX200

CYLINDER HEAD COVER GASKET

REPLACES: Yanmar
L48 L70 L100
MOQ: 100



Antanker No.	OEM No.	Model
AT106-YM170-00	114250-11310	L48
AT106-YM178-00	114250-11310	L70
AT106-YM186-00	114650-11310	L100

CYLINDER HEAD GASKET

REPLACES: Yamaha
ET950
MOQ: 100



Antanker No.	OEM No.	Model
AT105-YMH950-00	7CE-E1181-00	ET950

CYLINDER HEAD GASKET

REPLACES: Loncin
170F
MOQ: 100



Antanker No.	OEM No.	Model
AT105-LC170-00	DJ-1310P	170F

HEAD COVER PACKING

REPLACES: Honda
GX120 GX160
GX200
MOQ: 100



(With 4 holes)

Antanker No.	OEM No.	Model
AT106-HD120-02	12391-ZE1-000	GX120
AT106-HD160-02	12391-ZE1-000	GX160
AT106-HD200-02	12391-ZE1-000	GX200

HEAD COVER PACKING

REPLACES: Honda
GXV 160
MOQ: 200



Antanker No.	OEM No.	Model
AT106-HDXV 160-00	12391-ZE7-M10	GXV 160

HEAD COVER PACKING

REPLACES: Loncin
170F
MOQ: 100



Antanker No.	OEM No.	Model
AT106-LC170-00		170F

HEAD COVER PACKING
REPLACES: Honda

GX240 GX270

GX340 GX390

GX620 GX670

MOQ: 100


Antanker No.	OEM No.	Model
AT106-HD240-00	12391-ZE2-020	GX240
AT106-HD270-00	12391-ZE2-020	GX270
AT106-HD340-00	12391-ZE2-020	GX340
AT106-HD390-00	12391-ZE2-020	GX390
AT106-HD620-00	12391-ZE2-020	GX620
AT106-HD670-00	12391-ZE2-020	GX670

CASE COVER PACKING
REPLACES: Honda

GX120 GX160

GX200

MOQ: 100


(With asbestos)

Antanker No.	OEM No.	Model
AT107-HD120-00	11381-ZH7-800	GX120
AT107-HD160-00	11381-ZH8-801	GX160
AT107-HD200-00	11381-ZH8-801	GX200

CASE COVER PACKING
REPLACES: Honda

GX240 GX270

MOQ: 100


(With asbestos)

Antanker No.	OEM No.	Model
AT107-HD240-00	11381-ZE2-801	GX240
AT107-HD270-00	11381-ZE2-801	GX270

CASE COVER PACKING
REPLACES: Honda

GX120 GX160

GX200

MOQ: 100


(Without asbestos)

Antanker No.	OEM No.	Model
AT107-HD120-20	11381-ZH7-800	GX120
AT107-HD160-20	11381-ZH8-801	GX160
AT107-HD200-20	11381-ZH8-801	GX200

CASE COVER PACKING
REPLACES: Honda

GX340 GX390

MOQ: 100


(With asbestos)

Antanker No.	OEM No.	Model
AT107-HD340-00	11381-ZE3-801	GX340
AT107-HD390-00	11381-ZE3-000	GX390

CASE COVER PACKING
REPLACES: Honda

GX240 GX270

MOQ: 100


(Without asbestos)

Antanker No.	OEM No.	Model
AT107-HD240-20	11381-ZE2-801	GX240
AT107-HD270-20	11381-ZE2-801	GX270

CASE COVER PACKING
REPLACES: Honda

GX620 GX670

MOQ: 100


(With asbestos)

Antanker No.	OEM No.	Model
AT107-HD620-00	11381-ZJ1-000	GX620
AT107-HD670-00	11381-ZJ1-841	GX670

CASE COVER PACKING
REPLACES: Honda

GX340 GX390

MOQ: 100


(Without asbestos)

Antanker No.	OEM No.	Model
AT107-HD340-20	11381-ZE3-801	GX340
AT107-HD390-20	11381-ZE3-000	GX390

OIL PAN PACKING

REPLACES: Honda
GXV 160
MOQ: 100



(With asbestos)

Antanker No.	OEM No.	Model
AT107-HDXV 160-00	11381-ZE7-M10	GXV 160

BEARING COVER GASKET

REPLACES: Robin
EY 15 EY 20
MOQ: 100



(With asbestos)

Antanker No.	OEM No.	Model
AT107-RBY 15-00	227-16001-03	EY 15
AT107-RBY 20-00	227-16001-03	EY 20

BEARING COVER GASKET

REPLACES: Robin
EY 15 EY 20
MOQ: 100



(Without asbestos)

Antanker No.	OEM No.	Model
AT107-RBY 15-20	227-16001-03	EY 15
AT107-RBY 20-20	227-16001-03	EY 20

CRANKCASE GASKET

REPLACES: Loncin
170F
MOQ: 100



Antanker No.	OEM No.	Model
AT107-LC170-00	DJ-1340P	170F

CYLINDER BOTTOM GASKET

REPLACES: Yamaha
ET950
MOQ: 100



Antanker No.	OEM No.	Model
AT110-YMH950-00	7CE-E1351-00	ET950

CASE COVER PACKING

REPLACES: Honda
GX620 GX670
MOQ: 100



(Without asbestos)

Antanker No.	OEM No.	Model
AT107-HD620-20	11381-ZJ1-000	GX620
AT107-HD670-20	11381-ZJ1-841	GX670

OIL PAN PACKING

REPLACES: Honda
GXV 160
MOQ: 100



(Without asbestos)

Antanker No.	OEM No.	Model
AT107-HDXV 160-20	11381-ZE7-M10	GXV 160

CRANKCASE GASKET

REPLACES: Yanmar
L48 L70 L100
MOQ: 100



Antanker No.	OEM No.	Model
AT107-YM170-00	114250-01412	L48
AT107-YM178-00	114350-01412	L70
AT107-YM186-00	114650-01412	L100

CYLINDER BAFFLE

REPLACES: Robin
EY 20
MOQ: 100



Antanker No.	OEM No.	Model
AT108-RBY 20-00	227-52601-03	EY 20

AIR SHROUD CYLINDER

REPLACES: Yamaha
ET950
MOQ: 100



Antanker No.	OEM No.	Model
AT109-YMH950-00		ET950

BREATHER COVER PACKING

REPLACES: Honda
GX620
MOQ: 100



(Without asbestos)

Antanker No.	OEM No.	Model
AT111-HD620-20	12358-ZJ1-000	GX620

TOP COVER COMP

REPLACES: Honda
GX35
MOQ: 20



Antanker No.	OEM No.	Model
AT112-HD35-00	19720-ZOZ-000	GX35

HEAD COVER SEAL

REPLACES: Honda
GX35
MOQ: 50



Antanker No.	OEM No.	Model
AT113-HD35-00	12312-ZOZ-300	GX35

CYLINDER GASKET

REPLACES: Wacker
WM80
MOQ: 100



Antanker No.	OEM No.	Model
AT113-WM80-00	99336	WM80

DOWEL PIN

REPLACES: Honda
GX120 GX160
GX200
MOQ: 100



(10*16)

Antanker No.	OEM No.	Model
AT115-HD120-00	94301-10160	GX120
AT115-HD160-00	94301-10160	GX160
AT115-HD200-00	94301-10160	GX200

BREATHER COVER PACKING

REPLACES: Honda
GX620
MOQ: 100



(With asbestos)

Antanker No.	OEM No.	Model
AT111-HD620-00	12358-ZJ1-000	GX620

TOP COVER COMP

REPLACES: Honda
GX25
MOQ: 20



Antanker No.	OEM No.	Model
AT112-HD25-00	19720-Z0H-000ZB	GX25

HEAD COVER SEAL

REPLACES: Honda
GX25
MOQ: 50



Antanker No.	OEM No.	Model
AT113-HD25-00	12312-Z0H-300	GX25

O-RING

REPLACES: Yanmar
L48 L70 L100
MOQ: 100



Antanker No.	OEM No.	Model
AT114-YM170-00	114250-01380	L48
AT114-YM178-00	114350-01380	L70
AT114-YM186-00	114650-01380	L100

DOWEL PIN

REPLACES: Yamaha
MZ175
MOQ: 100



Antanker No.	OEM No.	Model
AT115-YMH175-00	90250-08017	MZ175

STUD BOLT
REPLACES: Honda

GX240 GX270

MOQ: 100

8*123mm

Antanker No.	OEM No.	Model
AT116-HD240-00	90043-ZE2-000	GX240
AT116-HD270-00	90043-ZE2-000	GX270

STUD BOLT
REPLACES: Honda

GX120 GX160

GX200

MOQ: 100

6*109mm(For generator)

Antanker No.	OEM No.	Model
AT116-HD120-01	90043-ZE1-010	GX120
AT116-HD160-01	90043-ZE1-010	GX160
AT116-HD200-01	90043-ZE1-010	GX200

STUD BOLT
REPLACES: Honda

GX240 GX270

MOQ: 100

8*106mm (For generator)

Antanker No.	OEM No.	Model
AT116-HD240-01	90043-ZE2-000	GX240
AT116-HD270-01	90043-ZE2-000	GX270

STUD BOLT
REPLACES: Honda

GX240 GX270

GX340 GX390

MOQ: 100

8*49mm

Antanker No.	OEM No.	Model
AT117-HD240-00	90047-ZE2-000	GX240
AT117-HD270-00	90047-ZE2-000	GX270
AT117-HD340-00	90047-ZE2-000	GX340
AT117-HD390-00	90047-ZE2-000	GX390

DOWEL PIN
REPLACES: Honda

GX240 GX270

GX340 GX390

GX440

MOQ: 100

(12*20)

Antanker No.	OEM No.	Model
AT115-HD240-00	94301-12200	GX240
AT115-HD270-00	94301-12200	GX270
AT115-HD340-00	94301-12200	GX340
AT115-HD390-00	94301-12200	GX390
AT115-HD440-00	94301-12200	GX440

STUD BOLT
REPLACES: Honda

GX120 GX160

GX200

MOQ: 100

6*112mm

Antanker No.	OEM No.	Model
AT116-HD120-00	90043-ZE1-020	GX120
AT116-HD160-00	90043-ZE1-020	GX160
AT116-HD200-00	90043-ZE1-020	GX200

STUD BOLT
REPLACES: Honda

GX340 GX390

MOQ: 100

8*131mm

Antanker No.	OEM No.	Model
AT116-HD340-00	90042-ZE8-000	GX340
AT116-HD390-00	90042-ZE8-000	GX390

STUD BOLT
REPLACES: Honda

GX340 GX390

MOQ: 100

8*111mm(For generator)

Antanker No.	OEM No.	Model
AT116-HD340-01	90042-ZB7-000	GX340
AT116-HD390-01	90042-ZB7-000	GX390

STUD BOLT
REPLACES: Honda

GX120 GX160

GX200

MOQ: 100

8*34mm

Antanker No.	OEM No.	Model
AT117-HD120-00	90047-ZE1-000	GX120
AT117-HD160-00	90047-ZE1-000	GX160
AT117-HD200-00	90047-ZE1-000	GX200

DRAIN PLUG BOLT
REPLACES: Honda

GX120 GX160

GX200 GX240

GX270 GX340 GX390

MOQ: 100


Antanker No.	OEM No.	Model
AT118-HD120-00	90131-ZE1-000	GX120
AT118-HD160-00	90131-ZE1-000	GX160
AT118-HD200-00	90131-ZE1-000	GX200
AT118-HD240-00	90131-883-000	GX240
AT118-HD270-00	90131-883-000	GX270
AT118-HD340-00	90131-883-000	GX340
AT118-HD390-00	90131-883-000	GX390

DRAIN PLUG WASHER
REPLACES: Honda

GX240 GX270

GX340 GX390

MOQ: 300

12mm

Antanker No.	OEM No.	Model
AT119-HD240-00	94109-12000	GX240
AT119-HD270-00	94109-12000	GX270
AT119-HD340-00	94109-12000	GX340
AT119-HD390-00	94109-12000	GX390

DRAIN PLUG WASHER
REPLACES: Honda

GX120 GX160 GX200

MOQ: 300

10.2mm

Antanker No.	OEM No.	Model
AT119-HD120-00	90601-ZE1-000	GX120
AT119-HD160-00	90601-ZE1-000	GX160
AT119-HD200-00	90601-ZE1-000	GX200

CYLINDER HEAD KIT
REPLACES: Stihl

MS051

MOQ: 30

Bore:52mm

Antanker No.	OEM No.	Model
AT1210-MS051-00		MS051

CYLINDER HEAD KIT
REPLACES: Stihl

MS088

MOQ: 30

Bore:60mm

Antanker No.	OEM No.	Model
AT1210-MS088-00		MS088

CYLINDER HEAD KIT
REPLACES: Stihl

MS070

MOQ: 30

Bore:58mm

Antanker No.	OEM No.	Model
AT1210-MS070-00		MS070

CYLINDER HEAD KIT
REPLACES: Stihl

MS180

MOQ: 30

Bore:38mm

Antanker No.	OEM No.	Model
AT1210-MS180-00		MS180

CYLINDER HEAD KIT

REPLACES: Stihl

MS170

MOQ: 30



Bore:37mm

Antanker No.	OEM No.	Model
AT1210-MS170-00		MS170

CYLINDER HEAD KIT

REPLACES: Stihl

MS200

MOQ: 30



Bore:40mm

Antanker No.	OEM No.	Model
AT1210-MS200-00		MS200

CYLINDER HEAD KIT

REPLACES: Stihl

MS181

MOQ: 30



Bore:39mm

Antanker No.	OEM No.	Model
AT1210-MS181-00		MS181

CYLINDER HEAD KIT

REPLACES: Stihl

MS210

MOQ: 30



Bore:40mm

Antanker No.	OEM No.	Model
AT1210-MS210-00		MS210

CYLINDER HEAD KIT

REPLACES: Stihl

MS201

MOQ: 30



Bore:40mm

Antanker No.	OEM No.	Model
AT1210-MS201-00		MS201

CYLINDER HEAD KIT

REPLACES: Stihl

MS240

MOQ: 30



Bore:42mm

Antanker No.	OEM No.	Model
AT1210-MS240-00		MS240

CYLINDER HEAD KIT

REPLACES: Stihl

MS230

MOQ: 30



Bore:40mm

Antanker No.	OEM No.	Model
AT1210-MS230-00		MS230

CYLINDER HEAD KIT

REPLACES: Stihl

MOQ: 30



Bore:42.5mm

Antanker No.	OEM No.	Model
AT1210-MS250-00		MS250

CYLINDER HEAD KIT
REPLACES: Stihl

MS261

MOQ: 30

Bore:44.7mm

Antanker No.	OEM No.	Model
AT1210-MS261-00		MS261

CYLINDER HEAD KIT
REPLACES: Stihl

MS260

MOQ: 30

Bore:44.7mm

Antanker No.	OEM No.	Model
AT1210-MS260-00		MS260

CYLINDER HEAD KIT
REPLACES: Stihl

MOQ: 30

Bore:47mm

Antanker No.	OEM No.	Model
AT1210-MS310-00		

CYLINDER HEAD KIT
REPLACES: Stihl

MS290

MOQ: 30

Bore:46mm

Antanker No.	OEM No.	Model
AT1210-MS290-00		MS290

CYLINDER HEAD KIT
REPLACES: Stihl

MS361

MOQ: 30

Bore:47mm

Antanker No.	OEM No.	Model
AT1210-MS361-00		MS361

CYLINDER HEAD KIT
REPLACES: Stihl

MS360

MOQ: 30

Bore:48mm

Antanker No.	OEM No.	Model
AT1210-MS360-00		MS360

CYLINDER HEAD KIT
REPLACES: Stihl

MS380

MOQ: 30

Bore:52mm

Antanker No.	OEM No.	Model
AT1210-MS380-00		MS380

CYLINDER HEAD KIT
REPLACES: Stihl

MS362 Ceramic

MOQ: 30

Bore:52mm

Antanker No.	OEM No.	Model
AT1210-MS362-00		MS362 Ceramic

CYLINDER HEAD KIT

REPLACES: Stihl

MS381

MOQ: 30



Bore:52mm

Antanker No.	OEM No.	Model
AT1210-MS381-00		MS381

CYLINDER HEAD KIT

REPLACES: Stihl

MS440

MOQ: 30



Bore:50mm

Antanker No.	OEM No.	Model
AT1210-MS440-00		MS440

CYLINDER HEAD KIT

REPLACES: Stihl

MS390

MOQ: 30



Bore:49mm

Antanker No.	OEM No.	Model
AT1210-MS390-00		MS390

CYLINDER HEAD KIT

REPLACES: Stihl

MS460

MOQ: 30



Bore:52mm

Antanker No.	OEM No.	Model
AT1210-MS460-00		MS460

CYLINDER HEAD KIT

REPLACES: Stihl

MS441 Ceramic

MOQ: 30



Bore:50mm

Antanker No.	OEM No.	Model
AT1210-MS441-00		MS441 Ceramic

CYLINDER HEAD KIT

REPLACES: Stihl

FS85

MOQ: 30



Bore:34mm

Antanker No.	OEM No.	Model
AT1210-FS85-00		FS85

CYLINDER HEAD KIT

REPLACES: Stihl

MS660

MOQ: 30



Bore:54mm

Antanker No.	OEM No.	Model
AT1210-MS660-00		MS660

CYLINDER HEAD KIT

REPLACES: Stihl

FS160

MOQ: 30



Bore:35mm

Antanker No.	OEM No.	Model
AT1210-FS160-00		FS160

CYLINDER HEAD KIT

REPLACES: Stihl

FS120

MOQ: 30



Bore:35mm

Antanker No.	OEM No.	Model
AT1210-FS120-00		FS120

CYLINDER HEAD KIT

REPLACES: Stihl

FS220

MOQ: 30



Bore:38mm

Antanker No.	OEM No.	Model
AT1210-FS220-00		FS220

CYLINDER HEAD KIT

REPLACES: Stihl

FS200

MOQ: 30



Bore:38mm

Antanker No.	OEM No.	Model
AT1210-FS200-00		FS200

CYLINDER HEAD KIT

REPLACES: Stihl

FS280

MOQ: 30



Bore:40mm

Antanker No.	OEM No.	Model
AT1210-FS280-00		FS280

CYLINDER HEAD KIT

REPLACES: Stihl

FS250

MOQ: 30



Bore:38mm

Antanker No.	OEM No.	Model
AT1210-FS250-00		FS250

CYLINDER HEAD KIT

REPLACES: Stihl

FS450

MOQ: 30



Bore:42mm

Antanker No.	OEM No.	Model
AT1210-FS450-00		FS450

CYLINDER HEAD KIT

REPLACES: Stihl

FS400

MOQ: 30



Bore:40mm

Antanker No.	OEM No.	Model
AT1210-FS400-00		FS400

CYLINDER HEAD KIT

REPLACES: Stihl

TS350 Ceramic

MOQ: 30



Bore:47mm

Antanker No.	OEM No.	Model
AT1210-TS350-00		TS350 Ceramic

CYLINDER HEAD KIT

REPLACES: Stihl

FS480

MOQ: 30



Bore:44mm

Antanker No.	OEM No.	Model
AT1210-FS480-00		FS480

CYLINDER HEAD KIT

REPLACES: Stihl

TS410

MOQ: 30



Bore:50mm

Antanker No.	OEM No.	Model
AT1210-TS410-00		TS410

CYLINDER HEAD KIT

REPLACES: Stihl

TS400

MOQ: 30



Bore:49mm

Antanker No.	OEM No.	Model
AT1210-TS400-00		TS400

CYLINDER HEAD KIT

REPLACES: Stihl

TS510 Ceramic

MOQ: 30



Bore:52mm

Antanker No.	OEM No.	Model
AT1210-TS510-00		TS510 Ceramic

CYLINDER HEAD KIT

REPLACES: Stihl

TS480I 500I Ceramic

MOQ: 30



Bore:52mm

Antanker No.	OEM No.	Model
AT1210-TS480-00		TS480I 500I Ceramic

CYLINDER HEAD KIT

REPLACES: Husqvarna

CS51

MOQ: 30



Bore:45mm

Antanker No.	OEM No.	Model
AT1210-HUS-CS51		CS51

CYLINDER HEAD KIT

REPLACES: Stihl

TS760 Ceramic

MOQ: 30



Bore:58mm

Antanker No.	OEM No.	Model
AT1210-TS760-00		TS760 Ceramic

CYLINDER HEAD KIT

REPLACES: Husqvarna

CS61

MOQ: 30



Bore:48mm

Antanker No.	OEM No.	Model
AT1210-HUS-CS61		CS61

CYLINDER HEAD KIT

REPLACES: Husqvarna

CS55

MOQ: 30



Bore:46mm

Antanker No.	OEM No.	Model
AT1210-HUS-CS55		CS55

CYLINDER HEAD KIT

REPLACES: Husqvarna

CS142

MOQ: 30



Bore:40mm

Antanker No.	OEM No.	Model
AT1210-HUS-CS142		CS142

CYLINDER HEAD KIT

REPLACES: Husqvarna

CS137

MOQ: 30



Bore:38mm

Antanker No.	OEM No.	Model
AT1210-HUS-CS137		CS137

CYLINDER HEAD KIT

REPLACES: Husqvarna

CS268

MOQ: 30



Bore:50mm

Antanker No.	OEM No.	Model
AT1210-HUS-CS268		CS268

CYLINDER HEAD KIT

REPLACES: Husqvarna

CS236 CS240

MOQ: 30



Bore:39mm

Antanker No.	OEM No.	Model
AT1210-HUS-CS236		CS236
		CS240

CYLINDER HEAD KIT

REPLACES: Husqvarna

CS288

MOQ: 30



Bore:54mm

Antanker No.	OEM No.	Model
AT1210-HUS-CS288		CS288

CYLINDER HEAD KIT

REPLACES: Husqvarna

CS272

MOQ: 30



Bore:52mm

Antanker No.	OEM No.	Model
AT1210-HUS-CS272		CS272

CYLINDER HEAD KIT

REPLACES: Husqvarna

CS345

MOQ: 30



Bore:42mm

Antanker No.	OEM No.	Model
AT1210-HUS-CS345		CS345

CYLINDER HEAD KIT

REPLACES: Husqvarna
CS340
MOQ: 30



Bore:42mm

Antanker No.	OEM No.	Model
AT1210-HUS-CS340		CS340

CYLINDER HEAD KIT

REPLACES: Husqvarna
CS350 Low
MOQ: 30



Bore:44mm

Antanker No.	OEM No.	Model
AT1210-HUS-CS35001		CS350 Low

CYLINDER HEAD KIT

REPLACES: Husqvarna
CS350 High
MOQ: 30



Bore:44mm

Antanker No.	OEM No.	Model
AT1210-HUS-CS35000		CS350 High

CYLINDER HEAD KIT

REPLACES: Husqvarna
CS365 Round
MOQ: 30



Bore:48mm

Antanker No.	OEM No.	Model
AT1210-HUS-CS36500		CS365 Round

CYLINDER HEAD KIT

REPLACES: Husqvarna
CS359 Round
MOQ: 30



Bore:47mm

Antanker No.	OEM No.	Model
AT1210-HUS-CS359		CS359 Round

CYLINDER HEAD KIT

REPLACES: Husqvarna
CS372
MOQ: 30



Bore:50mm

Antanker No.	OEM No.	Model
AT1210-HUS-CS372		CS372

CYLINDER HEAD KIT

REPLACES: Husqvarna
CS365 Square
MOQ: 30



Bore:48mm

Antanker No.	OEM No.	Model
AT1210-HUS-CS36501		CS365 Square

CYLINDER HEAD KIT

REPLACES: Husqvarna
CS435 CS440
MOQ: 30



Bore:41mm

Antanker No.	OEM No.	Model

CYLINDER HEAD KIT

REPLACES: Husqvarna
CS395
MOQ: 30



Bore:56mm

Antanker No.	OEM No.	Model
AT1210-HUS-CS395		CS395

CYLINDER HEAD KIT

REPLACES: Husqvarna
CS575 Ceramic
MOQ: 30



Bore:51mm

Antanker No.	OEM No.	Model
AT1210-HUS-CS575		CS575 Ceramic

CYLINDER HEAD KIT

REPLACES: Husqvarna
CS455 CS460
MOQ: 30



Bore:47mm

Antanker No.	OEM No.	Model
AT1210-HUS-CS445		CS455 CS460

CYLINDER HEAD KIT

REPLACES: Husqvarna
Partner K750
MOQ: 30



Bore:51mm

Antanker No.	OEM No.	Model
AT1210-HUS-K750		Partner K750

CYLINDER HEAD KIT

REPLACES: Husqvarna
Partner K650
MOQ: 30



Bore:50mm

Antanker No.	OEM No.	Model
AT1210-HUS-K650		Partner K650

CYLINDER HEAD KIT

REPLACES: Husqvarna
MOQ: 30



Bore:56mm

Antanker No.	OEM No.	Model
AT1210-HUS-K960	Partner K960 Ceramic Partner K970 Ceramic	

CYLINDER HEAD KIT

REPLACES: Husqvarna
Partner K950 Ceramic
MOQ: 30



Bore:56mm

Antanker No.	OEM No.	Model
AT1210-HUS-K950	Partner K950 Ceramic	

CYLINDER HEAD KIT

REPLACES: Husqvarna
Partner P350
MOQ: 30



Bore:41.1mm

Antanker No.	OEM No.	Model
AT1210-HUS-P350		Partner P350

CYLINDER HEAD KIT

REPLACES: Husqvarna

Partner K3120 Ceramic

Partner K1250 Ceramic

MOQ: 30



Bore:60mm

Antanker No.	OEM No.	Model
AT1210-HUS-K1250	Partner K1250 Ceramic	
	Partner K3120 Ceramic	

CYLINDER HEAD KIT

REPLACES: Zenoah

2500

MOQ: 30



Bore:34mm

Antanker No.	OEM No.	Model
AT1210-ZEH-2500		2500

CYLINDER HEAD KIT

REPLACES: Zenoah

3800

MOQ: 30



Bore:39mm

Antanker No.	OEM No.	Model
AT1210-ZEH-3800		3800

CYLINDER HEAD KIT

REPLACES: Zenoah

5200

MOQ: 30



Bore:45mm

Antanker No.	OEM No.	Model
AT1210-ZEH-5200		5200

CYLINDER HEAD KIT

REPLACES: Zenoah

5800

MOQ: 30



Bore:45.2mm

Antanker No.	OEM No.	Model
AT1210-ZEH-5800		5800

CYLINDER HEAD KIT

REPLACES: Zenoah

G4K

MOQ: 30



Bore:40mm

Antanker No.	OEM No.	Model
AT1210-ZEH-G4K		G4K
		G45L

CYLINDER HEAD KIT

REPLACES: Shindawa

B45

MOQ: 30



Bore:40mm

Antanker No.	OEM No.	Model
AT1210-SDW-B45		B45

CYLINDER HEAD KIT

REPLACES: Shindawa

C35

MOQ: 30



Bore:36mm

Antanker No.	OEM No.	Model
AT1210-SDW-C35		C35

CYLINDER HEAD KIT
REPLACES: Homelite

S25

MOQ: 30

Bore:33.5mm

Antanker No.	OEM No.	Model
AT1210-HML-S25		S25

CYLINDER HEAD KIT
REPLACES: Homelite

S30

MOQ: 30

Bore:36.5mm

Antanker No.	OEM No.	Model
AT1210-HML-S30		S30

CYLINDER HEAD KIT
REPLACES: Homelite

4602

MOQ: 30

Bore:43mm

Antanker No.	OEM No.	Model
AT1210-HML-4602		4602

CYLINDER HEAD KIT
REPLACES: Robin

MOQ: 30

Bore:40mm

Antanker No.	OEM No.	Model
AT1210-RB-NB411		NB411

CYLINDER HEAD KIT
REPLACES: Tanaka

Sum328

MOQ: 30

Bore:36mm

Antanker No.	OEM No.	Model
AT1210-TNK-SUM328		Sum328

CYLINDER HEAD KIT

TU26

MOQ: 30

Bore:33mm

Antanker No.	OEM No.	Model
AT1210-MSB-TU26		TU26

CYLINDER HEAD KIT
REPLACES: Mitsubishi

TL33

MOQ: 30

Bore:36mm

Antanker No.	OEM No.	Model
AT1210-MSB-TL33		TL33

CYLINDER HEAD KIT
REPLACES: Mitsubishi

TL43

MOQ: 30

Bore:40mm

Antanker No.	OEM No.	Model
AT1210-MSB-TL43		TL43

CYLINDER HEAD KIT

REPLACES: Mitsubishi

TL52

MOQ: 30



Bore:44mm

Antanker No.	OEM No.	Model
AT1210-MSB-TL52		TL52

CYLINDER HEAD KIT

REPLACES: Mitsubishi

T200

MOQ: 30



Bore:39mm

Antanker No.	OEM No.	Model
AT1210-MSB-T200		T200

CYLINDER HEAD KIT

REPLACES: Partner

P842

MOQ: 30



Bore:41mm

Antanker No.	OEM No.	Model
AT1210-PN-P842		P842

LUBRICATION CONTROL GROUP

OIL FILTER CARTRIDGE

REPLACES:

Briggs & Stratton 692513
 Kawasaki 49065-7010
 John Deere: AM-107423

MOQ: 100



Antanker No.	OEM No.	Model
		692513
AT201-BS692513-00		490657010
		AM-107423

OIL FILTER CARTRIDGE

REPLACES:

Briggs & Stratton 492932S/696854
 Tecumseh 36563
 Kohler: 28-050-01S

MOQ: 100



Antanker No.	OEM No.	Model
		696854
AT201-BS696854-00		36563
		2805001S

OIL FILTER CARTRIDGE

REPLACES: Honda

GX620 GX670

MOQ: 100



Antanker No.	OEM No.	Model
AT201-HD620-00	15400-ZJ1-004	GX620
AT201-HD670-00	15400-ZJ1-004	GX670

OIL FILTER

REPLACES: Kohler

CH18 CH20
 CH23 CH730

MOQ: 200



Antanker No.	OEM No.	Model
AT201-KLCH18-00	066698	CH18
AT201-KLCH20-00	066698	CH20
AT201-KLCH23-00	066698	CH23
AT201-KLCH730-00	066698	CH730

OIL FILTER

REPLACES: Yanmar

L48 L70 L100

MOQ: 50



Antanker No.	OEM No.	Model
AT201-YM170-00	114250-35070	L48
AT201-YM178-00	114250-35070	L70
AT201-YM186-00	114250-35070	L100

OIL LEVEL SWITCH ASSEMBLY

REPLACES: Honda

GX120 GX160
 GX200 GX240
 GX270 GX340
 GX390

MOQ: 50



Antanker No.	OEM No.	Model
AT202-HD120-00	15510-ZE1-033	GX120
AT202-HD160-00	15510-ZE1-033	GX160
AT202-HD200-00	15510-ZE1-033	GX200
AT202-HD240-00	15510-ZE2-043	GX240
AT202-HD270-00	15510-ZE2-043	GX270
AT202-HD340-00	15510-ZE2-043	GX340
AT202-HD390-00	15510-ZE2-043	GX390

OIL FILLER CAP

REPLACES: Honda

GX120 GX160

GX200 GX240

GX270 GX340

GX390

MOQ: 100



Antanker No.	OEM No.	Model
AT203-HD120-00	15600-ZE1-003	GX120
AT203-HD160-00	15600-ZE1-003	GX160
AT203-HD200-00	15600-ZE1-003	GX200
AT203-HD240-00	15600-735-003	GX240
AT203-HD270-00	15600-735-003	GX270
AT203-HD340-00	15600-735-003	GX340
AT203-HD390-00	15600-735-003	GX390

OIL FILLER CAP ASSY

REPLACES: Honda

GX120 GX160

GX200 GX240

GX270 GX340

GX390

MOQ: 100



Antanker No.	OEM No.	Model
AT203-HD120-01	15600-Z1T-600	GX120
AT203-HD160-01	15600-Z1T-600	GX160
AT203-HD200-01	15600-Z1T-600	GX200
AT203-HD240-01	15600-Z1T-600	GX240
AT203-HD270-01	15600-Z1T-600	GX270
AT203-HD340-01	15600-Z1T-600	GX340
AT203-HD390-01	15600-Z1T-600	GX390

GAUGE COMP

REPLACES: Honda

GX620

MOQ: 200



Antanker No.	OEM No.	Model
AT203-HD620-00	15655-ZJ1-000	GX620

OIL LEVEL GAUGE COMP

REPLACES: Honda

GX670

MOQ: 200



Antanker No.	OEM No.	Model
AT203-HD670-00	15655-ZJ1-861	GX670

OIL LEVEL GAUGE COMP

REPLACES: Honda

GX630 GX660 GX690

MOQ: 200



Antanker No.	OEM No.	Model
AT203-HD630-00	15655-Z6L-000	GX630
AT203-HD660-00	15655-Z6L-000	GX660
AT203-HD690-00	15655-Z6L-000	GX690

OIL FILLER CAP

REPLACES: Honda

G100

MOQ: 100



Antanker No.	OEM No.	Model
AT203-HDG100-00	15620-ZG0-010	G100

OIL LEVEL GAUGE COMP

REPLACES: Honda

GXV 160

MOQ: 100



Antanker No.	OEM No.	Model
AT203-HDXV 160-00	15620-ZE6-810	GXV 160

OIL SEAL

REPLACES: Honda

GX120

MOQ: 100



22X35X6

Antanker No.	OEM No.	Model
AT205-HD120-00	91202-ZE6-013	GX120

OIL SEAL

REPLACES: Honda
GX160 GX200
MOQ: 100



25X41X6

Antanker No.	OEM No.	Model
AT205-HD160-00	91201-Z0T-801	GX160
AT205-HD200-00	91202-883-005	GX200

OIL FILLER

REPLACES: Yanmar
L48 L70 L100
MOQ: 100



Antanker No.	OEM No.	Model
AT203-YM170-00	160710-01760	L48
AT203-YM178-00	160910-01740	L70
AT203-YM186-00	160910-01740	L100

OIL SEAL

REPLACES: Honda
G100
MOQ: 100



Antanker No.	OEM No.	Model
AT205-HDG100-00	91202-892-004	G100

OIL SEAL

REPLACES: Honda
GX240 GX270
MOQ: 100



30X46X8

Antanker No.	OEM No.	Model
AT205-HD240-00	91201-890-003	GX240
AT205-HD270-00	91201-890-003	GX270

OIL SEAL

REPLACES: Honda
GX35
MOQ: 100



10X20X5

Antanker No.	OEM No.	Model
AT205-HD35-00	91212-Z0H-003	GX35

OIL SEAL

REPLACES: Honda
GX340 GX390
MOQ: 100



35X52X8

Antanker No.	OEM No.	Model
AT205-HD340-00	91201-890-003	GX340
AT205-HD390-00	91201-890-003	GX390

OIL SEAL

REPLACES: Honda
GX35
MOQ: 100



15X25X6

Antanker No.	OEM No.	Model
AT205-HD35-01	91214-ZM3-003	GX35

OIL SEAL

REPLACES: Honda
GX25
MOQ: 100



10X20X5

Antanker No.	OEM No.	Model
AT205-HD25-00	91212-Z0H-003	GX25

OIL SEAL SET

REPLACES: Robin
EY15 EY28
MOQ: 100



Antanker No.	OEM No.	Model
AT205-RBY15-04		EY15
AT205-RBY28-04		EY28

OIL SEAL

REPLACES: Honda
GX100
MOQ: 100



20X32X6

Antanker No.	OEM No.	Model
AT205-HD100-00	91202-KJ9-003	GX100

OIL SEAL

REPLACES: Yanmar
L100
MOQ: 100



35x50x8

Antanker No.	OEM No.	Model
AT205-YM186-00	24423-355008	L100

OIL SEAL

REPLACES: Wacker
WM80
MOQ: 200



Antanker No.	OEM No.	Model
AT205-WM80-00		WM80

BALL BEARING FOR CRANKCASE 62/22

REPLACES: Honda
GX120
MOQ: 30



FOR CRANKCASE, 62/22

Antanker No.	OEM No.	Model
AT206-HD120-00	91001-878-003	GX120

BALL BEARING 62/22

REPLACES: Honda
GX120
MOQ: 30



FOR CRANKCASE COVER, 62/22

Antanker No.	OEM No.	Model
AT206-HD120-01	91001-878-003	GX120

OIL SEAL

REPLACES: Honda
GX25
MOQ: 100



12X24X5

Antanker No.	OEM No.	Model
AT205-HD25-01	91211-Z0H-003	GX25

OIL SEAL

REPLACES: Robin
EH12
MOQ: 100



10X20X5

Antanker No.	OEM No.	Model
AT205-RBH12-01	044-02501-60	EH12

OIL SEAL

REPLACES: Yanmar
L48 L70
MOQ: 100



45x30x10

Antanker No.	OEM No.	Model
AT205-YM170-00	160110-02220	L48
AT205-YM178-00	160110-02220	L70

OIL SEAL Φ20

REPLACES: Yamaha
ET950
MOQ: 100



Φ20

Antanker No.	OEM No.	Model
AT205-YMH950-00	93102-20456	ET950

BALL BEARING FOR CRANKCASE 6205

REPLACES: Honda
GX160 GX200
MOQ: 30



FOR CRANKCASE, 6205

Antanker No.	OEM No.	Model
AT206-HD160-00	96100-62050-00	GX160
AT206-HD200-00	96100-62050-00	GX200

BALL BEARING for CRANKCASE COVER 6205

REPLACES: Honda
GX160 GX200
MOQ: 30



FOR CRANKCASE COVER, 6205

Antanker No.	OEM No.	Model
AT206-HD160-01	96100-62050-00	GX160
AT206-HD200-01	96100-62050-00	GX200

BALL BEARING FOR CRANKCASE 6202

REPLACES: Honda
GX240 GX270
GX340 GX390
MOQ: 30



FOR CRANKCASE, 6202

Antanker No.	OEM No.	Model
AT206-HD240-00	96100-62020-00	GX240
AT206-HD270-00	96100-62020-00	GX270
AT206-HD340-00	96100-62020-00	GX340
AT206-HD390-00	96100-62020-00	GX390

BALL BEARING for CRANKCASE COVER 6207

REPLACES: Honda
GX340 GX390
MOQ: 30



FOR CRANKCASE COVER, 6207

Antanker No.	OEM No.	Model
AT206-HD340-01	96100-62070-00	GX340
AT206-HD390-01	96100-62070-00	GX390

BALL BEARING for CRANKCASE COVER 6206

REPLACES: Honda
GX240 GX270
MOQ: 30



FOR CRANKCASE COVER, 6206

Antanker No.	OEM No.	Model
AT206-HD240-01	96100-62060-00	GX240
AT206-HD270-01	96100-62060-00	GX270

RADIAL BALL BEARING 6203

REPLACES: Honda
G100
MOQ: 30



6203

Antanker No.	OEM No.	Model
AT206-HDG100-00	96100-62030-00	G100

BALL BEARING 6202

REPLACES: Yanmar
L48 L70
MOQ: 30



6202

Antanker No.	OEM No.	Model
AT206-YM170-00		L48
AT206-YM178-00		L70

BALL BEARING 6203

REPLACES: Yanmar
L100
MOQ: 30



6203

Antanker No.	OEM No.	Model
AT206-YM186-00		L100

BALL BEARING 6205

REPLACES: Yanmar
L48
MOQ: 30



6205

Antanker No.	OEM No.	Model
AT206-YM170-01	24101-062050	L48

BALL BEARING 6207

REPLACES: Yanmar
L100
MOQ: 30



6207

Antanker No.	OEM No.	Model
AT206-YM186-01	24101-062070	L100

BALL BEARING 6306

REPLACES: Yanmar

L48

MOQ: 30



6306

Antanker No.	OEM No.	Model
AT206-YM170-02		L70

BEARING 6203

REPLACES: Yamaha

ET950

MOQ: 50



6203

Antanker No.	OEM No.	Model
AT206-YMH950-00	93306-20345	ET950

GOVERNOR ASSEMBLY

REPLACES: Honda

GX120 GX160 GX200

MOQ: 100



(Two weights, straight tooth)

Antanker No.	OEM No.	Model
AT207-HD120-00	16510-ZE1-000	GX120
AT207-HD160-00	16506-ZL0-000	GX160
AT207-HD200-00	16506-ZL0-000	GX200

GOVERNOR ASSEMBLY

REPLACES: Honda

GX240 GX270

MOQ: 100



(Two weights, straight tooth)

Antanker No.	OEM No.	Model
AT207-HD240-00	16510-ZE2-000	GX240
AT207-HD270-00	16510-ZE2-000	GX270

GOVERNOR ASSEMBLY

REPLACES: Honda

GXV 160

MOQ: 100



Antanker No.	OEM No.	Model
AT207-HDXV 160-00	16510-ZE6-000	GXV 160

BALL BEARING 6306

REPLACES: Yanmar

L70

MOQ: 30



6306

Antanker No.	OEM No.	Model
AT206-YM178-01	24101-062060	L70

BALL BEARING 6307

REPLACES: Yanmar

L70

MOQ: 30



6307

Antanker No.	OEM No.	Model
AT206-YM178-02		L70

BALL BEARING 6308

REPLACES: Yanmar

L100

MOQ: 30



6308

Antanker No.	OEM No.	Model
AT206-YM186-02		L100

GOVERNOR ASSY

REPLACES: Honda

GX100

MOQ: 100



Antanker No.	OEM No.	Model
AT207-HD100-00	16510-ZL8-000	GX100

GOVERNOR ASSEMBLY

REPLACES: Honda

GX340 GX390

MOQ: 100



(Three weights, helical tooth)

Antanker No.	OEM No.	Model
AT207-HD340-00	16510-ZE3-000	GX340
AT207-HD390-00	16510-ZE3-000	GX390

DRIVING GEAR ASSY

REPLACES: Yanmar

L48 L70 L100

MOQ: 100



Antanker No.	OEM No.	Model
AT207-YM170-00	714770-61700	L48
AT207-YM178-00	714770-61700	L70
AT207-YM186-00	74970-61700	L100

GOVERNOR ASSEMBLY

REPLACES: Honda

GX620 GX670

MOQ: 100



Antanker No.	OEM No.	Model
AT207-HD620-00	16510-ZJ1-840	GX620
AT207-HD670-00	16510-ZJ1-840	GX670

CONTROL ASSY

REPLACES: Honda

GX240 GX270

MOQ: 50



Antanker No.	OEM No.	Model
AT208-HD240-00	16570-ZE2-W40	GX240
AT208-HD270-00	16570-ZE2-W40	GX270

CONTROL ASSY

REPLACES: Honda

GXV160

MOQ: 50



Antanker No.	OEM No.	Model
AT208-HDXV160-00	16500-ZE7-W31	GXV160

REGULAT BRACKET ASSY

REPLACES: Yanmar

L48 L70 L100

MOQ: 50



Antanker No.	OEM No.	Model
AT208-YM170-00	714268-66500	L48
AT208-YM178-00	714268-66500	L70
AT208-YM186-00	714268-66500	L100

GOVERNOR ARM

REPLACES: Honda

GX240 GX270

MOQ: 100



Antanker No.	OEM No.	Model
AT209-HD240-00	16551-ZE2-000	GX240
AT209-HD270-00	16551-ZE2-780	GX270

GOVERNOR GEAR COMPL

REPLACES: Robin

EY15 EH12

MOQ: 100



Antanker No.	OEM No.	Model
AT207-RBY15-00	227-45003-01	EY15
AT207-RBH12-00	227-45003-01	EH12

GOVERNOR GEAR

REPLACES: Robin

EX27

MOQ: 100



Original

Antanker No.	OEM No.	Model
AT207-RBX27-00	277-45004-K1	EX27

CONTROL ASSY

REPLACES: Honda

GX100 GX160 GX200

MOQ: 50



Antanker No.	OEM No.	Model
AT208-HD120-00	16500-ZH7-000	GX120
AT208-HD160-00	16500-ZH8-823	GX160
AT208-HD200-00	16500-ZH8-823	GX200

CONTROL ASSY

REPLACES: Honda

GX340 GX390

MOQ: 50



Antanker No.	OEM No.	Model
AT208-HD340-00	16570-ZE3-W00	GX340
AT208-HD390-00	16570-ZE3-W00	GX390

GOVERNOR ARM

REPLACES: Honda
GX340 GX390
MOQ: 100



Antanker No.	OEM No.	Model
AT209-HD340-00	16551-ZE3-000	GX340
AT209-HD390-00	16551-ZE3-000	GX390

SPEED ADJUSTING LEVER

REPLACES: Yamaha
ET950
MOQ: 100



Antanker No.	OEM No.	Model
AT209-YMH950-00	7CE-E1924-00	ET950

GOVERNOR ROD

REPLACES: Honda
GXV160
MOQ: 100



Antanker No.	OEM No.	Model
AT210-HDXV160-00	16555-ZE7-000	GXV160

GOVERNOR ROD

REPLACES: Robin
EY15
MOQ: 100



Antanker No.	OEM No.	Model
AT210-RBY15-00	227-42701-01	EY15

GOVERNOR SPRING

REPLACES: Honda
G100
MOQ: 100



Antanker No.	OEM No.	Model
AT211-HDG100-00	16561-ZG0-000	G100

SPEED CONTROL ASSY

REPLACES: Robin
EY15
MOQ: 50



Antanker No.	OEM No.	Model
AT208-RBY15-00	227-43301-20	EY15

GOVERNOR ARM

REPLACES: Honda
GX120 GX160 GX200
MOQ: 100



Antanker No.	OEM No.	Model
AT209-HD120-00	16551-ZE0-010	GX120
AT209-HD160-00	16551-ZE0-010	GX160
AT209-HD200-00	16551-ZL0-000	GX200

GOVERNOR ROD

REPLACES: Honda
GX120 GX160 GX200
GX240 GX270
GX340 GX390
MOQ: 100



Antanker No.	OEM No.	Model
AT210-HD120-00	16555-ZE0-000	GX120
AT210-HD160-00	16555-ZE1-000	GX160
AT210-HD200-00	16555-ZE1-000	GX200
AT210-HD240-00	16555-ZE2-000	GX240
AT210-HD270-00	16555-ZE2-000	GX270
AT210-HD340-00	16555-ZE3-000	GX340
AT210-HD390-00	16555-ZE3-000	GX390

GOVERNOR ROD

REPLACES: Honda
G100
MOQ: 100



Antanker No.	OEM No.	Model
AT210-HDG100-00	16555-ZG0-000	G100

GOVERNOR SPRING

REPLACES: Honda
GX620 GX670
MOQ: 100



Antanker No.	OEM No.	Model
AT211-HD620-00	16561-ZJ1-000	GX620
AT211-HD670-00	16561-ZN1-820	GX670

GOVERNOR SPRING

REPLACES: Robin
EY15
MOQ: 100



Antanker No.	OEM No.	Model
AT211-RBY15-00	227-42501-13	EY15

THROTTLE RETURN SPRING

REPLACES: Honda
G100
MOQ: 100



Antanker No.	OEM No.	Model
AT212-HDG100-00	16562-ZG0-000	G100

THROTTLE RETURN SPRING

REPLACES: Honda
GX620 GX670
MOQ: 100



Antanker No.	OEM No.	Model
AT212-HD620-00	16562-ZJ1-000	GX620
AT212-HD670-00	16562-ZN2-010	GX670

THROTTLE RETURN SPRING

REPLACES: Honda
GXV160
MOQ: 100



Antanker No.	OEM No.	Model
AT212-HDXV160-00	16562-ZE6-000	GXV160

PILOT ADJUSTING

REPLACES: Yamaha
ET950
MOQ: 100



Antanker No.	OEM No.	Model
AT210-YMH950-00	7CE-E1928-00	ET950

GOVERNOR SPRING

REPLACES: Honda
GX120 GX160 GX200
GX240 GX270
GX340 GX390
MOQ: 100



Antanker No.	OEM No.	Model
AT211-HD120-00	16561-ZE0-020	GX120
AT211-HD160-00	16561-ZE1-020	GX160
AT211-HD200-00	16561-ZL0-000	GX200
AT211-HD240-00	16561-ZE2-000	GX240
AT211-HD270-00	16561-ZE2-000	GX270
AT211-HD340-00	16561-ZE3-000	GX340
AT211-HD390-00	16561-ZE3-000	GX390

GOVERNOR SPRING

REPLACES: Honda
GXV160
MOQ: 100



Antanker No.	OEM No.	Model
AT211-HDXV160-00	16561-ZE7-020	GXV160

SPEED GOVERNING SPRING

REPLACES: Yamaha
ET950
MOQ: 100



Antanker No.	OEM No.	Model
AT211-YMH950-00	7CE-E1925-00	ET950

REGULATOR SPRING

REPLACES: Yanmar
L100
MOQ: 100



Antanker No.	OEM No.	Model
AT211-YM186-00	114970-66010	L100

SPRING PILOT ADJUSTMENT

REPLACES: Yamaha

ET950

MOQ: 100



Antanker No.	OEM No.	Model
AT212-YMH950-00	90506-05800	ET950

ROD SPRING COMP.

REPLACES: Robin

EX27

MOQ: 100



Original

Antanker No.	OEM No.	Model
AT213-RBX27-00	277-42801-23	EX27

RETURN SPRING

REPLACES: Robin

EX27

MOQ: 100



Original

Antanker No.	OEM No.	Model
AT214-RBX27-00	279-42502-23	EX27

GOVERNOR ARM SHAFT

REPLACES: Honda

GX120 GX160

GX200 GX240

GX270 GX340 GX390

MOQ: 100



Antanker No.	OEM No.	Model
AT216-HD120-00	16541-ZE1-000	GX120
AT216-HD160-00	16541-ZE1-000	GX160
AT216-HD200-00	16541-ZE1-000	GX200
AT216-HD240-00	16541-ZE2-010	GX240
AT216-HD270-00	16541-ZE2-010	GX270
AT216-HD340-00	16541-ZE3-010	GX340
AT216-HD390-00	16541-ZE3-000	GX390

REGULATOR SPRING

REPLACES: Yanmar

L48 L70

MOQ: 100



Antanker No.	OEM No.	Model
AT211-YM170-00	114770-66010	L48
AT211-YM178-00	114870-66010	L70

THROTTLE RETURN SPRING

REPLACES: Honda

GX120 GX160

GX200 GX240

GX270 GX340 GX390

MOQ: 100



Antanker No.	OEM No.	Model
AT212-HD120-00	16562-ZE0-020	GX120
AT212-HD160-00	16562-ZE1-020	GX160
AT212-HD200-00	16562-ZE1-020	GX200
AT212-HD240-00	16562-ZE2-000	GX240
AT212-HD270-00	16562-ZE2-000	GX270
AT212-HD340-00	16562-ZE3-000	GX340
AT212-HD390-00	16562-ZE3-000	GX390

GOVERNOR SHAFT

REPLACES: Robin

EY15 EH12

MOQ: 100



Antanker No.	OEM No.	Model
AT216-RBY15-00	227-42201-03	EY15
AT216-RBH12-00	227-42201-03	EH12

KNOB

REPLACES: Robin

EY15 EH12

MOQ: 100



Antanker No.	OEM No.	Model
AT217-RBY15-00	227-43601-03	EY15
AT217-RBH12-00	227-43601-03	EH12

GOVERNOR GEAR SHAFT

REPLACES: Honda

GX120 GX160

GX200 GX240

GX270 GX340 GX390

MOQ: 100



Antanker No.	OEM No.	Model
AT218-HD120-00		GX120
AT218-HD160-00		GX160
AT218-HD200-00		GX200
AT218-HD240-00		GX240
AT218-HD270-00		GX270
AT218-HD340-00		GX340
AT218-HD390-00		GX390

THRUST WASHER

REPLACES: Honda

GX120 GX160

GX200 GX240

GX270 GX340 GX390

MOQ: 100



Antanker No.	OEM No.	Model
AT221-HD120-00	90451-ZE1-000	GX120
AT221-HD160-00	90451-ZE1-000	GX160
AT221-HD200-00	90451-ZE1-000	GX200
AT221-HD240-00	90473-147-000	GX240
AT221-HD270-00	90473-147-000	GX270
AT221-HD340-00	90473-147-000	GX340
AT221-HD390-00	90473-147-000	GX390

WIRE BRACKET

REPLACES: Robin

EY 15

MOQ: 50



Antanker No.	OEM No.	Model
AT228-RBY 15-00	227-44203-13	EY 15
AT228-RBY 15-00	227-44203-13	EY 15

STOP PLATE

REPLACES: Robin

EY 15

MOQ: 100



Antanker No.	OEM No.	Model
AT219-RBY 15-00	227-42501-13	EY 15

STOP PLATE

REPLACES: Robin

EY 15 EH12

MOQ: 100



Antanker No.	OEM No.	Model
AT220-RBY 15-01	227-45002-03	EY 15
AT220-RBH12-00	227-45002-03	EH12

GOVERNOR SLEEVE

REPLACES: Robin

EX27

MOQ: 50



Original

Antanker No.	OEM No.	Model
AT230-RBX27-00	277-41901-03	EX27

BEARING PLATE

REPLACES: Yamaha

ET950

MOQ: 100



Yellow

Antanker No.	OEM No.	Model
AT231-YMH950-00	7CE-E1917-00	ET950

DRIVE PLATE

REPLACES: Yamaha

ET950

MOQ: 200



Antanker No.	OEM No.	Model
AT232-YMH950-00	7CE-E5716-00	ET950

GOVERNOR SLIDER

REPLACES: Honda

GX120 GX160

GX200 GX240

GX270 GX340 GX390

MOQ: 100



Antanker No.	OEM No.	Model
AT230-HD120-00	16531-ZE1-000	GX120
AT230-HD160-00	16531-ZE1-000	GX160
AT230-HD200-00	16531-ZE1-000	GX200
AT230-HD240-00	16531-Z0A-000	GX240
AT230-HD270-00	16531-Z0A-000	GX270
AT230-HD340-00	16531-Z0A-000	GX340
AT230-HD390-00	16531-Z0A-000	GX390

MAIN BEARING BUSHING

REPLACES: Yanmar

L48 L70 L100

MOQ: 100



Antanker No.	OEM No.	Model
AT233-YM170-00	114250-02100	L48
AT233-YM178-00	114350-02100	L70
AT233-YM186-00	114650-02100	L100

MAIN BEARING BUSHING

REPLACES: Yanmar

L48 L70 L100

MOQ: 100



(-0.25)

Antanker No.	OEM No.	Model
AT233-YM170-01	114250-02200	L48
AT233-YM178-01	114350-02200	L70
AT233-YM186-01	114650-02200	L100

WIRE HOLDER

REPLACES: Honda

GX160 GX200

GX240 GX270

GX340 GX390

MOQ: 100



Antanker No.	OEM No.	Model
AT233-HD160-00	16594-883-010	GX160
AT233-HD200-00	16594-883-010	GX200
AT233-HD240-00	16594-883-010	GX240
AT233-HD270-00	16594-883-010	GX270
AT233-HD340-00	16594-883-010	GX340
AT233-HD390-00	16594-883-010	GX390

MAIN BEARING BUSHING

REPLACES: Yanmar

L48 L70 L100

MOQ: 100



(-0.5)

Antanker No.	OEM No.	Model
AT233-YM170-02	114250-02210	L48
AT233-YM178-02	114350-02210	L70
AT233-YM186-02	114650-02210	L100

CABLE HOLDER

REPLACES: Honda

GX120 GX160

GX200 GX240

GX270 GX390

MOQ: 200



Antanker No.	OEM No.	Model
AT234-HD120-00	16576-891-00	GX120
AT234-HD160-00	16576-891-00	GX160
AT234-HD200-00	16576-891-00	GX200
AT234-HD240-00	16576-891-00	GX240
AT234-HD270-00	16576-891-00	GX270
AT234-HD390-00	16576-891-00	GX390

LOCK PIN
REPLACES: Honda

GX240 GX270

GX340 GX390

MOQ: 100

10mm

Antanker No.	OEM No.	Model
AT236-HD240-01	94251-10000	GX240
AT236-HD270-01	94251-10000	GX270
AT236-HD340-01	94251-10000	GX340
AT236-HD390-01	94251-10000	GX390

LOCK PIN
REPLACES: Honda

GX120 GX160

GX200 GX240

GX270 GX340

MOQ: 100

8mm

Antanker No.	OEM No.	Model
AT236-HD120-00	94251-08000	GX120
AT236-HD160-00	94251-08000	GX160
AT236-HD200-00	94251-08000	GX200
AT236-HD240-00	94251-08000	GX240
AT236-HD270-00	94251-08000	GX270
AT236-HD340-00	94251-08000	GX340

GOVERNOR ARM BOLT
REPLACES: Honda

GX120 GX160

GX200 GX240

GX270 GX340 GX390

MOQ: 100


Antanker No.	OEM No.	Model
AT235-HD120-00	90015-ZE5-010	GX120
AT235-HD160-00	90015-ZE5-010	GX160
AT235-HD200-00	90015-ZE5-010	GX200
AT235-HD240-00	90015-ZE5-010	GX240
AT235-HD270-00	90015-ZE5-010	GX270
AT235-HD340-00	90015-ZE5-010	GX340
AT235-HD390-00	90015-ZE5-010	GX390

PISTON

CON. ROD

CRANKSHAFT

GROUP

PISTON
REPLACES: Honda

GX120 GX160

GX200 GX240

GX270 GX340

GX390 GX440

MOQ: 100

(STD.)


Antanker No.	OEM No.	Model
AT301-HD120-00	13101-ZH7-010	GX120
AT301-HD160-00	13101-ZH8-010	GX160
AT301-HD200-00	13101-ZL0-010	GX200
AT301-HD240-00	13101-ZE2-W00	GX240
AT301-HD270-00	13101-ZH9-000	GX270
AT301-HD340-00	13101-ZE3-W00	GX340
AT301-HD390-00	13101-ZF6-W00	GX390
AT301-HD440-00	13101-Z2E-000	GX440

PISTON
REPLACES: Honda

GX120 GX160

GX200 GX240

GX270 GX340

GX390

MOQ: 100

(0.25)


Antanker No.	OEM No.	Model
AT301-HD120-01	13102-ZH7-010	GX120
AT301-HD160-01	13102-ZH8-010	GX160
AT301-HD200-01	13102-ZL0-010	GX200
AT301-HD240-01	13102-ZE2-W00	GX240
AT301-HD270-01	13102-ZH9-000	GX270
AT301-HD340-01	13102-ZE3-W00	GX340
AT301-HD390-01	13102-ZF6-W00	GX390

PISTON
REPLACES: Honda

GX120 GX160

GX200 GX240

GX270 GX340

GX390

MOQ: 100

(0.50)


Antanker No.	OEM No.	Model
AT301-HD120-02	13103-ZH7-010	GX120
AT301-HD160-02	13103-ZH8-010	GX160
AT301-HD200-02	13103-ZL0-010	GX200
AT301-HD240-02	13103-ZE2-W00	GX240
AT301-HD270-02	13103-ZH9-000	GX270
AT301-HD340-02	13103-ZE3-W00	GX340
AT301-HD390-02	13103-ZF6-W00	GX390

PISTON
REPLACES: Honda

GX120 GX160

GX200 GX240

GX270 GX340

GX390

MOQ: 100

(Thin ring type, STD.)


Antanker No.	OEM No.	Model
AT301-HD120-10	13101-ZH7-010	GX120
AT301-HD160-10	13101-ZH8-010	GX160
AT301-HD200-10	13101-ZL0-010	GX200
AT301-HD240-10	13101-ZE2-W00	GX240
AT301-HD270-10	13101-ZH9-000	GX270
AT301-HD340-10	13101-ZE3-W00	GX340
AT301-HD390-10	13101-ZF6-W00	GX390

PISTON
REPLACES: Honda

GX100

MOQ: 100

(STD.)


Antanker No.	OEM No.	Model
AT301-HD100-00	13101-Z0D-000	GX100

PISTON
REPLACES: Honda

GX620 GX670

MOQ: 100

(STD.)


Antanker No.	OEM No.	Model
AT301-HD620-00	13101-ZJ1-000	GX620
AT301-HD670-00	13101-ZN1-000	GX670

PISTON
REPLACES: Loncin

170F

MOQ: 100

(Loncin Flat Top, STD)

Antanker No.	OEM No.	Model
AT301-LC170-00	130030160-T150	170F

PISTON
REPLACES: Loncin

170F

MOQ: 100

(Loncin Flat Top, 0.25)

Antanker No.	OEM No.	Model
AT301-LC170-01		170F

PISTON
REPLACES: Honda

G100

MOQ: 100

(STD.)

Antanker No.	OEM No.	Model
AT301-HDG100-00	13101-ZC0-003	G100

PISTON
REPLACES: Honda

G200

MOQ: 100

(STD.)

Antanker No.	OEM No.	Model
AT301-HDG200-00	13101-883-003	G200

PISTON
REPLACES: Honda

G300

MOQ: 100

(STD.)

Antanker No.	OEM No.	Model
AT301-HDG300-00	13101-889-010	G300

PISTON
REPLACES: Honda

GXV160

MOQ: 100

(STD.)

Antanker No.	OEM No.	Model
AT301-HDXV160-00	13101-Z1T-000	GXV160

PISTON
REPLACES: Honda

GX25

MOQ: 100

(STD.)

Antanker No.	OEM No.	Model
AT301-HD25-00	13101-Z0H-000	GX25

PISTON
REPLACES: Honda

GX35

MOQ: 100

(STD.)

Antanker No.	OEM No.	Model
AT301-HD35-00	13101-Z0Z-000	GX35

PISTON
REPLACES: Robin

EY20 EY15

MOQ: 100

(STD.)

Antanker No.	OEM No.	Model
AT301-RBY20-00	227-23401-03	EY20
AT301-RBY15-00	226-23411-03	EY15

PISTON
REPLACES: Robin

EY20 EY15

MOQ: 100

(0.25)

Antanker No.	OEM No.	Model
AT301-RBY20-01	227-23402-03	EY20
AT301-RBY15-01	226-23412-03	EY15

PISTON
REPLACES: Robin

EY20 EY15

MOQ: 100

(0.50)

Antanker No.	OEM No.	Model
AT301-RBY20-02	227-23403-03	EY20
AT301-RBY15-02	226-23413-03	EY15

PISTON
REPLACES: Wacker

WM80

MOQ: 100

(STD.)

Antanker No.	OEM No.	Model
AT301-WM80-00		WM80

PISTON
REPLACES: Robin

EH12

MOQ: 100

(STD.)

Antanker No.	OEM No.	Model
AT301-RBH12-00	268-23401-03	EH12

PISTON
REPLACES: Robin

EH12

MOQ: 100

(0.25)

Antanker No.	OEM No.	Model
AT301-RBH12-01	268-23402-03	EH12

PISTON
REPLACES: Robin

EH12

MOQ: 100

(0.50)

Antanker No.	OEM No.	Model
AT301-RBH12-02	268-23403-03	EH12

PISTON
REPLACES: Yanmar

L48 L70 L100

MOQ: 100

(STD.) Flat Type

Antanker No.	OEM No.	Model
AT301-YM170-01		L48
AT301-YM178-01		L70
AT301-YM186-01		L100

PISTON
REPLACES: Yanmar

L48 L70 L100

MOQ: 100

(STD.) Con Type

Antanker No.	OEM No.	Model
AT301-YM170-00		L48
AT301-YM178-00		L70
AT301-YM186-00		L100

PISTON
REPLACES: Rato

Rato EPA3

MOQ: 100

(STD.)

Antanker No.	OEM No.	Model
AT301-RT170-00		EPA3

PISTON RING SET
REPLACES: Honda

GX100

MOQ: 100

(STD.)

Antanker No.	OEM No.	Model
AT302-HD100-00	13010-Z0D-003	GX100

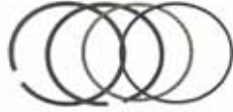
PISTON RING SET
REPLACES: Honda

GX120 GX160

GX200 GX240

GX270 GX340

GX390 GX440

MOQ: 100

(0.25)

Antanker No.	OEM No.	Model
AT302-HD120-01	13011-ZH7-003	GX120
AT302-HD160-01	13011-ZL0-003	GX160
AT302-HD200-01	13011-ZL0-003	GX200
AT302-HD240-01	13011-ZE2-013	GX240
AT302-HD270-01	13011-ZE8-601	GX270
AT302-HD340-01	13011-ZE3-003	GX340
AT302-HD390-01	13011-ZF6-003	GX390
AT302-HD440-01	13011-Z2E-003	GX440

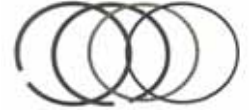
PISTON RING SET
REPLACES: Honda

GX120 GX160

GX200 GX240

GX270 GX340

GX390 GX440

MOQ: 100

(STD.)

Antanker No.	OEM No.	Model
AT302-HD120-00	13010-ZH7-003	GX120
AT302-HD160-00	13010-ZL0-003	GX160
AT302-HD200-00	13010-ZL0-003	GX200
AT302-HD240-00	13010-ZE2-013	GX240
AT302-HD270-00	13010-ZE8-601	GX270
AT302-HD340-00	13010-ZE3-003	GX340
AT302-HD390-00	13010-ZF6-003	GX390
AT302-HD440-00	13010-Z2E-003	GX440

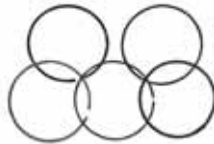
PISTON RING SET
REPLACES: Honda

GX120 GX160

GX200 GX240

GX270 GX340

GX390 GX440

MOQ: 100

(Thin type, STD.)

Antanker No.	OEM No.	Model
AT302-HD120-10		GX120
AT302-HD160-10		GX160
AT302-HD200-10		GX200
AT302-HD240-10		GX240
AT302-HD270-10		GX270
AT302-HD340-10		GX340
AT302-HD390-10		GX390
AT302-HD440-10		GX440

PISTON RING SET
REPLACES: Honda

GX120 GX160

GX200 GX240

GX270 GX340

GX390 GX440

MOQ: 100

(0.50)

Antanker No.	OEM No.	Model
AT302-HD120-02	13012-ZH7-003	GX120
AT302-HD160-02	13012-ZL0-003	GX160
AT302-HD200-02	13012-ZL0-003	GX200
AT302-HD240-02	13012-ZE2-013	GX240
AT302-HD270-02	13012-ZE8-601	GX270
AT302-HD340-02	13012-ZE3-003	GX340
AT302-HD390-02	13012-ZF6-003	GX390
AT302-HD440-02	13012-Z2E-003	GX440

PISTON RING SET
REPLACES: Honda

G200

MOQ: 100

(STD.)

Antanker No.	OEM No.	Model
AT302-HDG200-00	13010-883-003	G200

PISTON RING SET
REPLACES: Honda

G100

MOQ: 100

(STD.)

Antanker No.	OEM No.	Model
AT302-HDG100-00	13010-ZC0-003	G100

PISTON RING SET
REPLACES: Honda

G300

MOQ: 100

(STD.)

Antanker No.	OEM No.	Model
AT302-HDG300-00	13010-889-004	G300

PISTON RING SET
REPLACES: Honda

GX620 GX670

MOQ: 100

(STD.)

Antanker No.	OEM No.	Model
AT302-HD620-00	13010-ZE8-601	GX620
AT302-HD670-00	13010-ZJ1-841	GX670

PISTON RING SET
REPLACES: Honda

GXV160

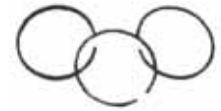
MOQ: 100

(STD.)

Antanker No.	OEM No.	Model
AT302-HDXV160-00	13010-ZL0-003	GXV160

PISTON RING SET
REPLACES: Honda

GXV140

MOQ: 100

(STD.)

Antanker No.	OEM No.	Model
AT302-HDXV140-00	13010-ZG9-T00	GXV140
	13010-ZG9-T01	
	13010-ZG9-003	
	13010-ZG9-004	

PISTON RING SET
REPLACES: Honda

GX25

MOQ: 100

(STD.)

Antanker No.	OEM No.	Model
AT302-HD25-00	13010-Z0H-000	GX25

PISTON RING SET
REPLACES: Honda

GX35

MOQ: 100

(STD.)

Antanker No.	OEM No.	Model
AT302-HD35-00	13010-ZM5-000	GX35

PISTON RING SET
REPLACES: Robin

EH12

MOQ: 100

(STD.)

Antanker No.	OEM No.	Model
AT302-RBH12-00	252-23501-07	EH12

PISTON RING SET
REPLACES: Loncin

170F

MOQ: 100

(Loncin type, 0.25)

Antanker No.	OEM No.	Model
AT302-LC170-01		170F

PISTON RING SET
REPLACES: Robin

EH12

MOQ: 100

(0.25)

Antanker No.	OEM No.	Model
AT302-RBH12-01	252-23502-07	EH12

PISTON RING SET
REPLACES: Loncin

170F

MOQ: 100

(Loncin type, STD.)

Antanker No.	OEM No.	Model
AT302-LC170-00	130070113-T150	170F

PISTON RING SET
REPLACES: Robin

EH12

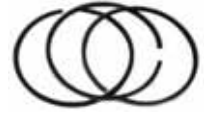
MOQ: 100


(0.50)

Antanker No.	OEM No.	Model
AT302-RBH12-02	252-23503-07	EH12

PISTON RING SET
REPLACES: Robin

EY20 EY15 EY28

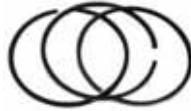
MOQ: 100


(STD.)

Antanker No.	OEM No.	Model
AT302-RBY20-00	227-23511-07	EY20
AT302-RBY15-00	226-23511-07	EY15
AT302-RBY28-00	254-23501-07	EY28

PISTON RING SET
REPLACES: Robin

EY20 EY15 EY28

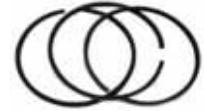
MOQ: 100


(0.50)

Antanker No.	OEM No.	Model
AT302-RBY20-02	227-23513-07	EY20
AT302-RBY15-02	226-23513-07	EY15
AT302-RBY28-02	254-23503-07	EY28

PISTON RING SET
REPLACES: Robin

EY20 EY15 EY28

MOQ: 100


(0.25)

Antanker No.	OEM No.	Model
AT302-RBY20-01	227-23512-07	EY20
AT302-RBY15-01	226-23512-07	EY15
AT302-RBY28-01	254-23502-07	EY28

PISTON RING SET
REPLACES: Yanmar

L48 L70 L100

MOQ: 100


(STD.)

Antanker No.	OEM No.	Model
AT302-YM170-00	714770-22500	L48
AT302-YM178-00	714870-22500	L70
AT302-YM186-00	714970-22500	L100

PISTON RING SET
REPLACES: Rato

Rato EPA3

MOQ: 100


(STD.)

Antanker No.	OEM No.	Model
AT302-RT170-00		EPA3

PISTON RING SET
REPLACES: Yamaha

ET950

MOQ: 100


(STD.)

Antanker No.	OEM No.	Model
AT302-YMH950-00	7CE-1610-00	ET950

PISTON RING SET
REPLACES: Wacker

WM80

MOQ: 200


Antanker No.	OEM No.	Model
AT302-WM80-00		WM80

PISTON PIN
REPLACES: Honda

GX25

MOQ: 100


Antanker No.	OEM No.	Model
AT303-HD25-00	13111-Z0H-000	GX25

PISTON PIN
REPLACES: Honda

G300

MOQ: 100


Antanker No.	OEM No.	Model
AT303-HDG300-00	13111-369-000	G300

PISTON PIN
REPLACES: Honda

G200

MOQ: 100


Antanker No.	OEM No.	Model
AT303-HDG200-00	13010-889-004	G200

PISTON PIN
REPLACES: Loncin

170F

MOQ: 100


(STD.Loncin type)

Antanker No.	OEM No.	Model
AT303-LC170-00	130060031-T040	170F

PISTON PIN
REPLACES: Robin

EH12 EY15

EY18 EY20

EY25 EY28

MOQ: 100


Antanker No.	OEM No.	Model
AT303-RBH12-00	268-23301-03	EH12
AT303-RBY15-00	214-23301-13	EY15
AT303-RBY18-00	214-23301-13	EY18
AT303-RBY20-00	214-23301-13	EY20
AT303-RBY25-00		EY25
AT303-RBY28-00	234-23301-03	EY28

PISTON PIN CLIP
REPLACES: Honda

G200

MOQ: 100


Antanker No.	OEM No.	Model
AT304-HDG200-00	90551-883-000	G200

PISTON PIN
REPLACES: Honda

GX100 GX120

GX160 GX200

GX240 GX270

GX340 GX390

GX440

MOQ: 100


Antanker No.	OEM No.	Model
AT303-HD100-00	13111-ZE0-000	GX100
AT303-HD120-00	13111-ZE0-000	GX120
AT303-HD160-00	13111-ZE1-000	GX160
AT303-HD200-00	13111-ZE1-000	GX200
AT303-HD240-00	13111-ZE2-000	GX240
AT303-HD270-00	13111-ZE2-000	GX270
AT303-HD340-00	13111-ZF6-000	GX340
AT303-HD390-00	13111-ZF6-W00	GX390
AT303-HD440-00	13111-Z2E-000	GX440

PISTON PIN
REPLACES: Honda

GXV160

MOQ: 100


Antanker No.	OEM No.	Model
AT303-HDXV160-00	13111-Z1T-000	GXV160

PISTON PIN
REPLACES: Honda

GX35

MOQ: 100


Antanker No.	OEM No.	Model
AT303-HD35-00	13111-ZM5-000	GX35

PISTON PIN
REPLACES: Yanmar

L48 L70 L100

MOQ: 100


Antanker No.	OEM No.	Model
AT303-YM170-00	114250-22302	L48
AT303-YM178-00	114350-22301	L70
AT303-YM186-00	114650-22300	L100

PISTON-CON ROD-CRANKSHAFT GROUP

PISTON PIN CLIP

REPLACES: Honda

GX100 GX120

GX160 GX200

GX240 GX270

GX340 GX390

GX440

MOQ: 100



Antanker No.	OEM No.	Model
AT304-HD100-00	90551-ZE0-000	GX100
AT304-HD120-00	90551-ZE0-000	GX120
AT304-HD160-00	90551-ZE1-000	GX160
AT304-HD200-00	90551-ZE1-000	GX200
AT304-HD240-00	90551-ZE1-000	GX240
AT304-HD270-00	90551-ZE1-000	GX270
AT304-HD340-00	90601-ZE3-000	GX340
AT304-HD390-00	90601-ZE3-000	GX390
AT304-HD440-00	94601-21000	GX440

PISTON CLIP

REPLACES: Robin

EY20

MOQ: 100



Antanker No.	OEM No.	Model
AT304-RBY20-00	056-51400-10	EY20

CONNECTING ROD ASSY

REPLACES: Honda

GX120 GX160

GX200 GX240

GX270 GX340

GX390

MOQ: 50



(STD.)

Antanker No.	OEM No.	Model
AT305-HD120-00	13200-ZE0-000	GX120
AT305-HD160-00	13200-ZE1-010	GX160
AT305-HD200-00	13200-ZE1-010	GX200
AT305-HD240-00	13200-ZE2-010	GX240
AT305-HD270-00	13200-ZE2-010	GX270
AT305-HD340-00	13200-ZE3-010	GX340
AT305-HD390-00	13200-ZE3-010	GX390

PISTON PIN

REPLACES: Wacker

WM80

MOQ: 200



Antanker No.	OEM No.	Model
AT303-WM80-00		WM80

PISTON PIN CLIP

REPLACES: Honda

GX25

MOQ: 100



Antanker No.	OEM No.	Model
AT304-HD25-00		GX25

PISTON PIN CLIP

REPLACES: Honda

GX35

MOQ: 100



Antanker No.	OEM No.	Model
AT304-HD35-00		GX35

PISTON PIN CLIP

REPLACES: Loncin

170F

MOQ: 100



(STD.Loncin type)

Antanker No.	OEM No.	Model
AT304-LC170-00	380560056-T040	170F

PISTON PIN CLIP

REPLACES: Honda

G300

MOQ: 100



Antanker No.	OEM No.	Model
AT304-HDG300-00	94601-16000	G300

CONNECTING ROD ASSY
REPLACES: Honda

GX120 GX160

GX200 GX240

GX270 GX340

GX390

MOQ: 100


(-0.5)

Antanker No.	OEM No.	Model
AT305-HD120-02	132A0-ZE0-000	GX120
AT305-HD160-02	132A0-ZE1-000	GX160
AT305-HD200-02	132A0-ZE1-000	GX200
AT305-HD240-02	13200-ZE2-305	GX240
AT305-HD270-02	13200-ZE2-305	GX270
AT305-HD340-02	13200-ZE3-315	GX340
AT305-HD390-02	13200-ZE3-315	GX390

PISTON PIN CLIP
REPLACES: Honda

GXV160

MOQ: 100


Antanker No.	OEM No.	Model
AT304-HDXV160-00	90551-ZE1-000	GXV160

PISTON CLIP
REPLACES: Yanmar

L48 L70 L100

MOQ: 100


Antanker No.	OEM No.	Model
AT304-YM170-00	22252-000190	L48
AT304-YM178-00	22252-000210	L70
AT304-YM186-00	129792-22400	L100

CONNECTING ROD ASSY
REPLACES: Honda

GX120 GX160

GX200 GX240

GX270 GX340

GX390

MOQ: 100


(-1.00)

Antanker No.	OEM No.	Model
AT305-HD120-04	132A0-ZE0-000	GX120
AT305-HD160-04	132A0-ZE1-000	GX160
AT305-HD200-04	132A0-ZE1-000	GX200
AT305-HD240-04	13200-ZE2-305	GX240
AT305-HD270-04	13200-ZE2-305	GX270
AT305-HD340-04	13200-ZE3-315	GX340
AT305-HD390-04	13200-ZE3-315	GX390

PISTON CLIP
REPLACES: Robin

EH12

MOQ: 100


Antanker No.	OEM No.	Model
AT304-RBH12-00	215-25004-03	EH12

PISTON CLIP
REPLACES: Wacker

WM80

MOQ: 200


Antanker No.	OEM No.	Model
AT304-WM80-00		WM80

CONNECTING ROD ASSY
REPLACES: Honda

GX670

MOQ: 50


(STD.)

Antanker No.	OEM No.	Model
AT305-HD670-00	13200-ZN1-003	GX670

CONNECTING ROD ASSY
REPLACES: Honda

GX620

MOQ: 50


(STD.)

Antanker No.	OEM No.	Model
AT305-HD620-00	13210-ZJ1-000	GX620

CONNECTING ROD ASSY

REPLACES: Honda

G100

MOQ: 50



(STD.)

Antanker No.	OEM No.	Model
AT305-HDG100-00	13200-ZG0-000	G100

CONNECTING ROD ASSY

REPLACES: Honda

GX120 GX160

GX200 GX240

GX270 GX340

GX390

MOQ: 100



(-0.25)

Antanker No.	OEM No.	Model
AT305-HD120-01	132A0-ZE0-000	GX120
AT305-HD160-01	132A0-ZE1-000	GX160
AT305-HD200-01	132A0-ZE1-000	GX200
AT305-HD240-01	13200-ZE2-305	GX240
AT305-HD270-01	13200-ZE2-305	GX270
AT305-HD340-01	13200-ZE3-315	GX340
AT305-HD390-01	13200-ZE3-315	GX390

CONNECTING ROD ASSY

REPLACES: Robin

EH12

MOQ: 50



Antanker No.	OEM No.	Model
AT305-RBH12-00	252-22501-10	EH12

CONNECTING ROD ASSY

REPLACES: Robin

EY20 EY15 EY28

MOQ: 50



Antanker No.	OEM No.	Model
AT305-RBY20-00	227-22501-10	EY20
AT305-RBY15-00	226-22501-10	EY15
AT305-RBY28-00	234-22501-10	EY28

CONNECTING ROD ASSY

REPLACES: Honda

GX120 GX160

GX200 GX240

GX270 GX340

GX390

MOQ: 100



(-0.75)

Antanker No.	OEM No.	Model
AT305-HD120-03	132A0-ZE0-000	GX120
AT305-HD160-03	132A0-ZE1-000	GX160
AT305-HD200-03	132A0-ZE1-000	GX200
AT305-HD240-03	13200-ZE2-305	GX240
AT305-HD270-03	13200-ZE2-305	GX270
AT305-HD340-03	13200-ZE3-315	GX340
AT305-HD390-03	13200-ZE3-315	GX390

BALANCER WEIGHT

REPLACES: Honda

GX240 GX270

GX340 GX390

MOQ: 40



Antanker No.	OEM No.	Model
AT308-HD240-00	13351-ZE2-010	GX240
AT308-HD270-00	13351-ZE2-010	GX270
AT308-HD340-00	13351-ZE3-010	GX340
AT308-HD390-00	13351-ZE3-010	GX390

NEEDLE BEARING

REPLACES: Yamaha

ET950

MOQ: 100



(Small)

Antanker No.	OEM No.	Model
AT309-YMH950-00	93310-210J7	ET950

CONNECTING ROD ASSY

REPLACES: Honda

GX100

MOQ: 50



(STD.)

Antanker No.	OEM No.	Model
AT305-HD100-00	13200-Z0D-000	GX100

CRANKSHAFT AND CONNECTING ROD KIT
REPLACES: Honda

GX25

MOQ: 40


Antanker No.	OEM No.	Model
AT307-HD25-00	13310-Z0H-010 13310-Z0H-020 13310-Z0H-800	GX25

CONNECTING ROD ASSY
REPLACES: Honda

GXV160

MOQ: 50

(STD.)

Antanker No.	OEM No.	Model
AT305-HDXV160-00	13200-Z1V-000	GXV160

CRANKSHAFT AND CONNECTING ROD KIT
REPLACES: Honda

GX35

MOQ: 40


Antanker No.	OEM No.	Model
AT307-HD35-00	13310-Z0Z-000	GX35

CONNECTING ROD ASSY
REPLACES: Honda

G200

MOQ: 50

(STD.)

Antanker No.	OEM No.	Model
AT305-HDG200-00	13200-883-010	G200

CRANK SHAFT COMP
REPLACES: Robin

EY28

MOQ: 40

(25mm keyed)

Antanker No.	OEM No.	Model
AT307-RBY28-00	234-20201-11	EY28

CONNECTING ROD ASSY
REPLACES: Yanmar

L48 L70 L100

MOQ: 50


Antanker No.	OEM No.	Model
AT305-YM170-00	714250-23703	L48
AT305-YM178-00	714350-23704	L70
AT305-YM186-00	714650-23700	L100

CRANK SHAFT COMP
REPLACES: Robin

EH12

MOQ: 40


Antanker No.	OEM No.	Model
AT307-RBH12-00	268-2 1903-01	EH12

CONNECTING ROD
REPLACES: Yamaha

ET950

MOQ: 50


Antanker No.	OEM No.	Model
AT305-YMH950-00	7CE-E1651-00	ET950

CRANK SHAFT COMP
REPLACES: Robin

EY20

MOQ: 40


Antanker No.	OEM No.	Model
AT307-RBY20-00	227-20905-01	EY20

CRANKSHAFT AND CONNECTING ROD KIT
REPLACES: Wacker

WM80

MOQ: 40


Antanker No.	OEM No.	Model
AT307-WM80-00	45036	WM80

CONNECTING ROD BEARING
REPLACES: Yanmar

L48 L70 L100

MOQ: 100


Antanker No.	OEM No.	Model
AT306-YM170-00	714250-23600	L48
AT306-YM178-00	714350-23600	L70
AT306-YM186-00	714650-23600	L100

CRANKSHAFT
REPLACES: Yamaha

MZ175

MOQ: 40


Antanker No.	OEM No.	Model
AT307-YMH175-00	7TN-11400-00	MZ175

BALANCE SHAFT WITH DRIVING GEAR
REPLACES: Yanmar

L48 L70 L100

MOQ: 40


Antanker No.	OEM No.	Model
AT308-YM170-00	714770-28510	L48
AT308-YM178-00	714870-28510	L70
AT308-YM186-00	714689-21510	L100

CRANKSHAFT AND CONNECTING ROD KIT
REPLACES: Yamaha

ET950

MOQ: 40

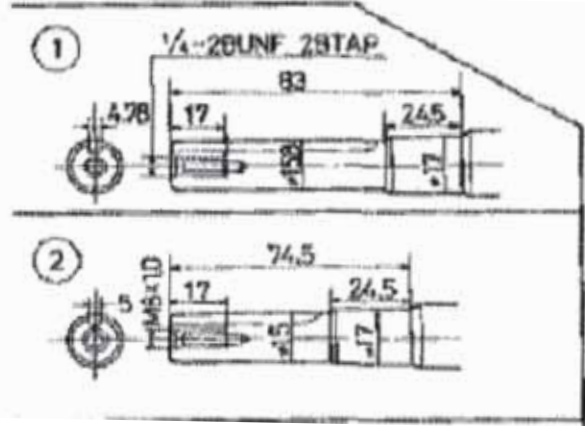
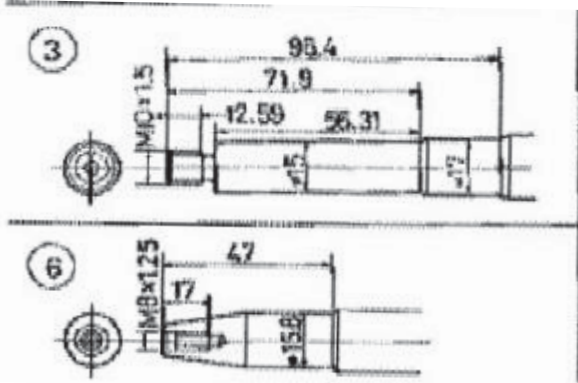

Antanker No.	OEM No.	Model
AT307-YMH950-00	7CE-1400-00	ET950

CRANKSHAFT
REPLACES: Honda

GX100

MOQ: 40


Antanker No.	OEM No.	Model
AT307-HD100-00	13310-Z0D-000	GX100



CRANKSHAFT

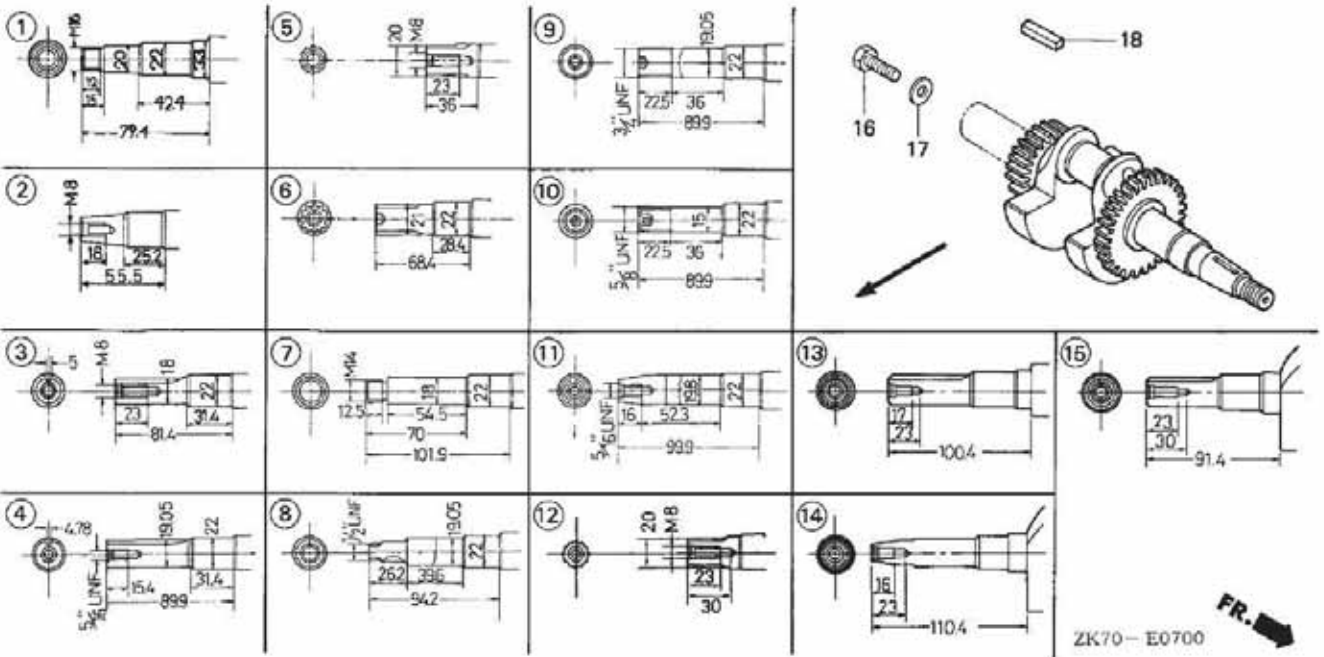
REPLACES: Honda

G100

MOQ: 40



NO.	Antanker No.	OEM No.	NO.	Antanker No.	OEM No.
1	AT307-HDG100-00	13310-ZG0-601	3	AT307-HDG100-02	13310-ZG0-601
2	AT307-HDG100-01	13310-ZG0-601	6	AT307-HDG100-03	13310-ZG0-601



CRANKSHAFT

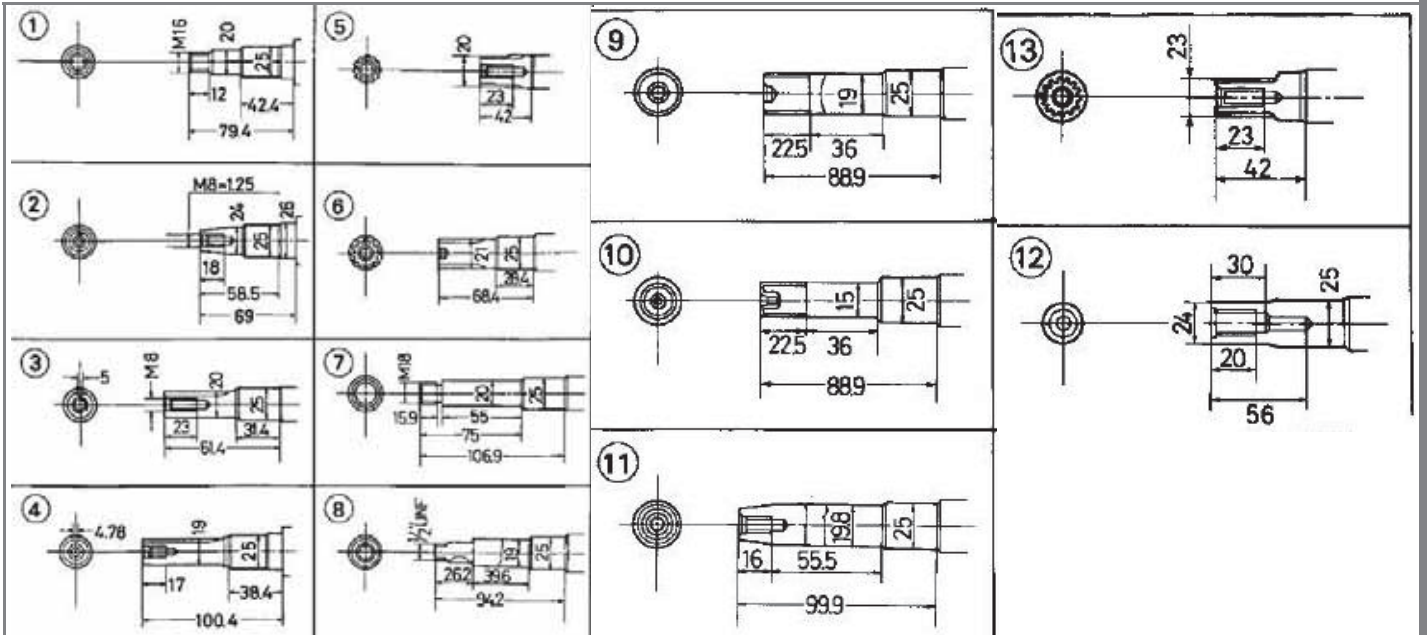
REPLACES: Honda

GX120

MOQ: 40



NO.	Antanker No.	OEM No.	NO.	Antanker No.	OEM No.
1	AT307-HD120-00	13310-YB3-010	9	AT307-HD120-08	13310-ZE0-650
2	AT307-HD120-01	13310-ZB0-000	10	AT307-HD120-09	13310-ZE0-660
3	AT307-HD120-02	13310-ZE0-000	11	AT307-HD120-10	13310-ZE0-670
4	AT307-HD120-03	13310-ZE0-601	12	AT307-HD120-11	13310-ZK7-V00
5	AT307-HD120-04	13310-ZE0-610	13	AT307-HD120-12	13310-ZK7-600
6	AT307-HD120-05	13310-ZE0-622	14	AT307-HD120-13	13310-ZK7-670
7	AT307-HD120-06	13310-ZE0-631	15	AT307-HD120-14	13310-ZK7-880
8	AT307-HD120-07	13310-ZE0-641			



CRANKSHAFT

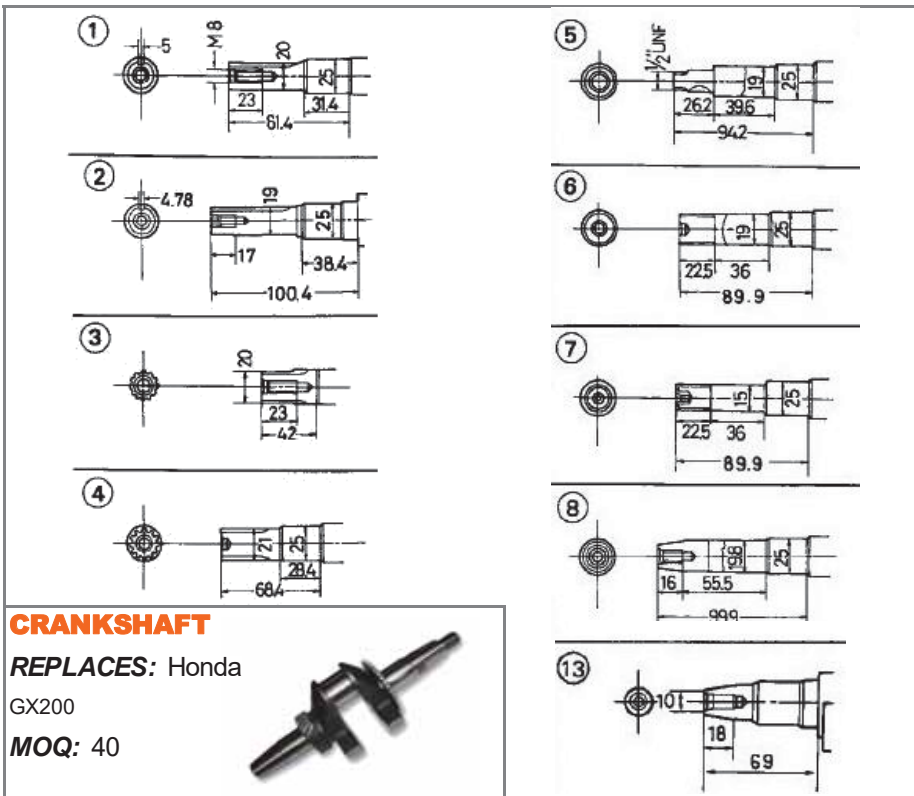
REPLACES: Honda

GX160

MOQ: 40



NO.	Antanker No.	OEM No.	NO.	Antanker No.	OEM No.
1	AT307-HD160-00	13310-YB4-010	7	AT307-HD160-06	13310-ZE1-630
2	AT307-HD160-01	13310-ZB2-000	8	AT307-HD160-07	13310-ZE1-641
3	AT307-HD160-02	13310-ZE1-000 13310-Z8K-000	9	AT307-HD160-08	13310-ZE1-650
4	AT307-HD160-03	13310-ZE1-601 13310-Z8K-600	10	AT307-HD160-09	13310-ZE1-660
5	AT307-HD160-04	13310-ZE1-610	11	AT307-HD160-10	13310-ZE1-670 13310-Z8K-670
6	AT307-HD160-05	13310-ZE1-622	12	AT307-HD160-11	13310-ZH8-R00
			13	AT307-HD160-12	13310-ZK8-V00



CRANKSHAFT

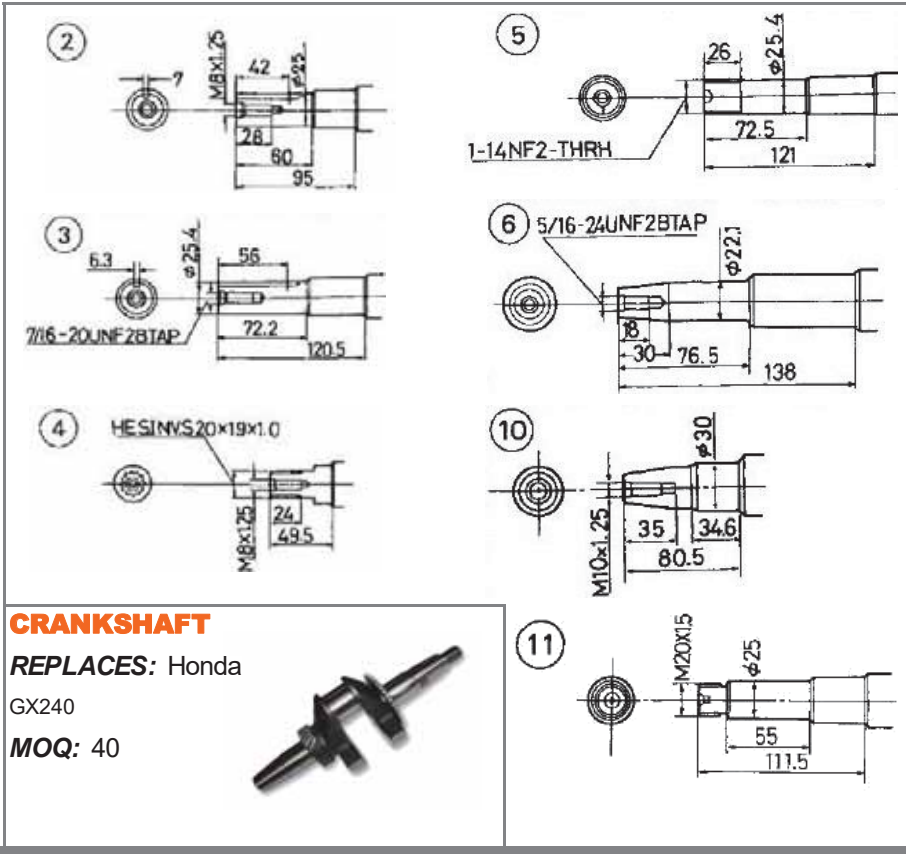
REPLACES: Honda

GX200

MOQ: 40



NO.	Antanker No.	OEM No.
1	AT307-HD200-00	13310-ZL0-000 13310-ZL0-881 13310-ZL0-010
2	AT307-HD200-01	13310-ZL0-600 13310-ZL0-601
3	AT307-HD200-02	13310-ZL0-610 13310-ZL0-611
4	AT307-HD200-03	13310-ZL0-620 13310-ZL0-621
5	AT307-HD200-04	13310-ZL0-640
6	AT307-HD200-05	13310-ZL0-650 13310-ZL0-651
7	AT307-HD200-06	13310-ZL0-660 13310-ZL0-661
8	AT307-HD200-07	13310-ZL0-670 13310-ZL0-870
		13310-ZL0-671
13	AT307-HD200-08	13310-ZL0-690 13310-ZL0-691



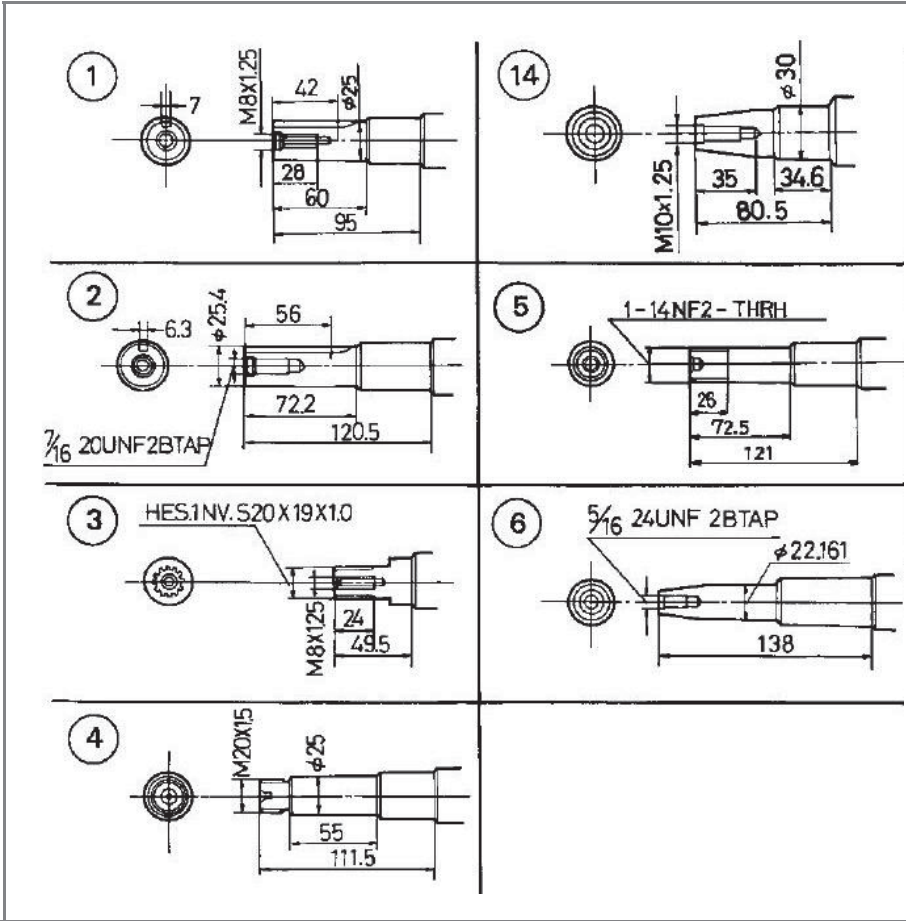
NO.	Antanker No.	OEM No.
2	AT307-HD240-00	13310-ZE2-010
		13320-ZE2-010
		13310-ZE2-020
		13320-ZE2-020
3	AT307-HD240-01	13310-ZK2-600
		13320-ZE2-601
		13310-ZE2-602
		13320-ZE2-602
4	AT307-HD240-02	13310-ZE2-611
		13320-ZE2-611
		13310-ZE2-612
		13320-ZE2-612
5	AT307-HD240-03	13310-ZE2-651
		13320-ZE2-651
		13310-ZE2-652
		13320-ZE2-652
6	AT307-HD240-04	13310-ZK2-670
		13320-ZE2-671
		13310-ZE2-672
		13320-ZE2-672
10	AT307-HD240-05	13310-ZE2-701
		13310-ZE2-702
11	AT307-HD240-06	13310-ZE2-631
		13310-ZE2-652

CRANKSHAFT

REPLACES: Honda

GX240

MOQ: 40



CRANKSHAFT

REPLACES: Honda

GX270

MOQ: 40



NO.	Antanker No.	OEM No.
1	AT307-HD270-00	13310-ZH9-000
		13310-ZH9-800
		13310-ZK9-000
2	AT307-HD270-01	13310-ZH9-600
		13310-ZH9-810
		13310-ZK9-600
3	AT307-HD270-02	13310-ZH9-610
		13310-ZH9-820
4	AT307-HD270-03	13310-ZH9-630
		13310-ZH9-830
5	AT307-HD270-04	13310-ZH9-650
		13310-ZH9-830
6	AT307-HD270-05	13310-ZH9-670
		13310-ZK9-670
		13310-ZH9-840
		13310-ZK9-800
14	AT307-HD270-06	13310-ZH9-700

CRANKSHAFT
REPLACES: Honda

GX340

MOQ: 40

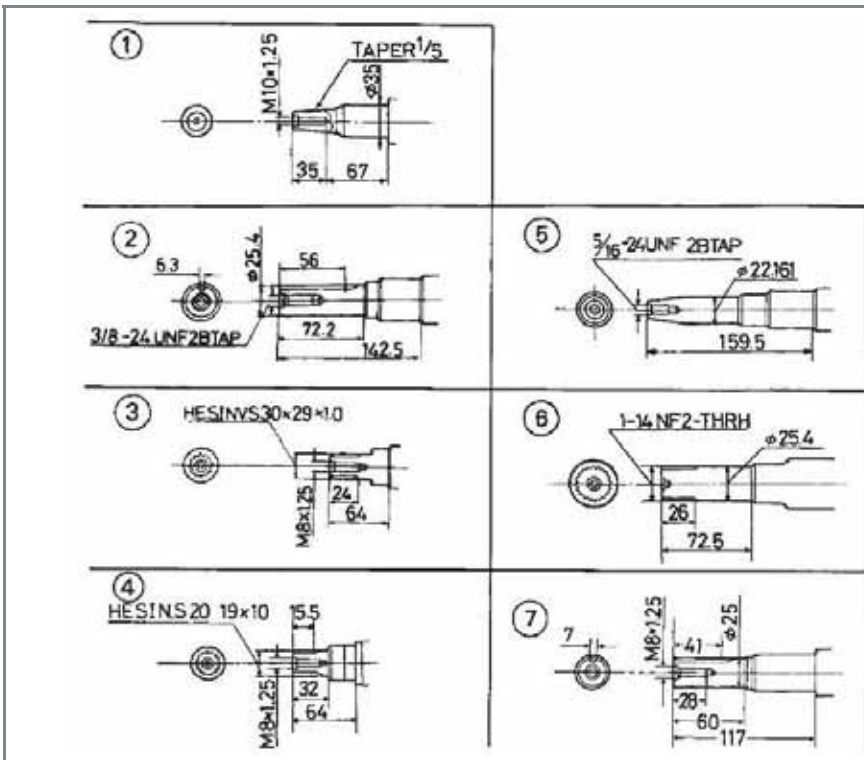
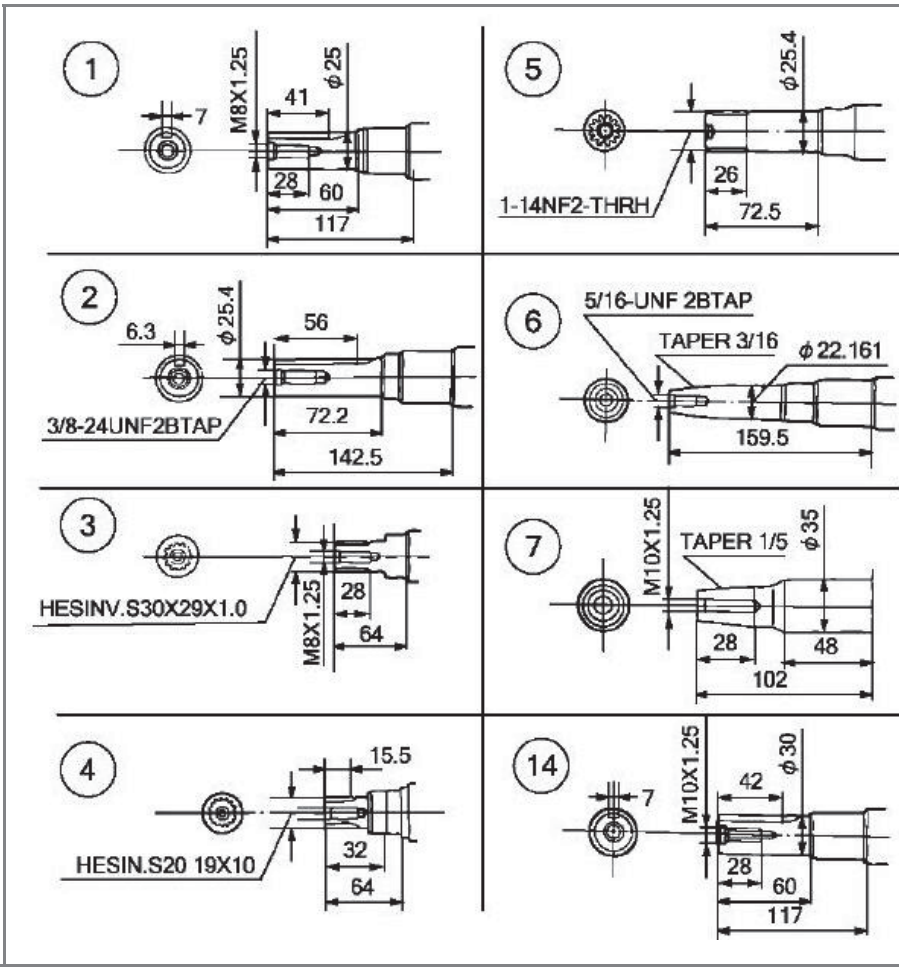

NO.	Antanker No.	OEM No.
1	AT307-HD340-00	13310-ZE3-010
		13310-Zk3-000
		13310-ZE3-020
2	AT307-HD340-01	13310-ZE3-601
		13310-ZK3-600
		13310-ZE3-602
3	AT307-HD340-02	13310-ZE3-611
		13310-ZE3-612
4	AT307-HD340-03	13310-ZE3-640
5	AT307-HD340-04	13310-ZE3-651
		13310-ZE3-652
6	AT307-HD340-05	13310-ZE3-671
		13310-ZE3-670
		13310-ZE3-672
7	AT307-HD340-06	13310-ZE3-701
		13310-ZE3-702
14	AT307-HD340-07	13310-ZE3-811

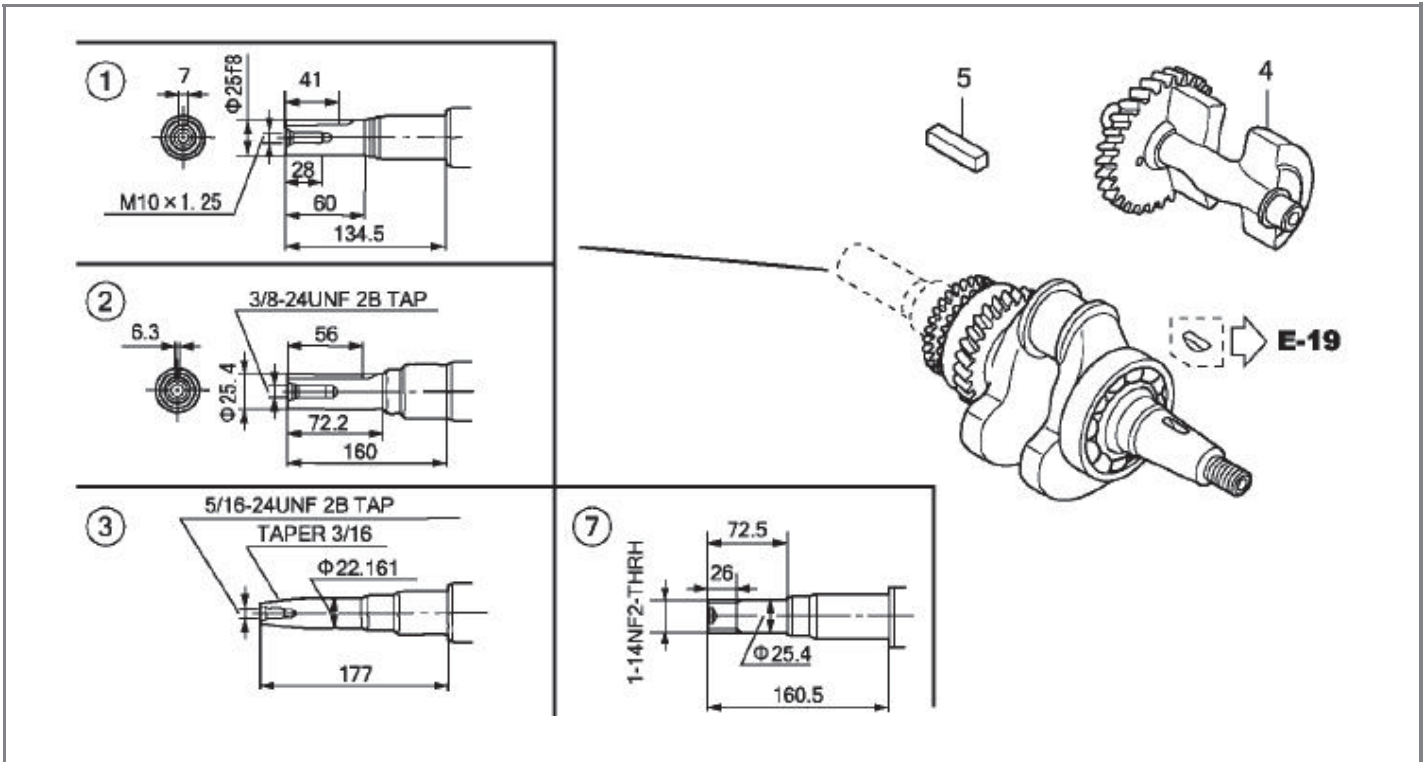
CRANKSHAFT
REPLACES: Honda

GX390

MOQ: 40

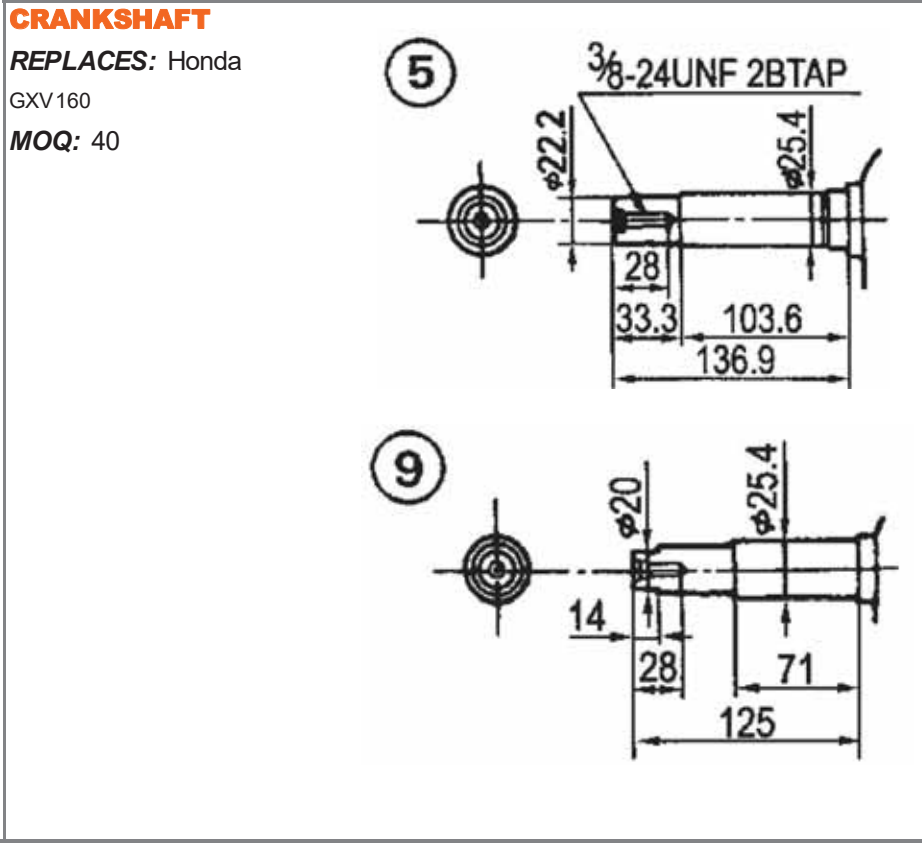

NO.	Antanker No.	OEM No.
1	AT307-HD390-00	13310-ZF6-D40
2	AT307-HD390-01	13310-ZF6-W10
3	AT307-HD390-02	13310-ZF6-W20
		13310-ZF6-Y30
4	AT307-HD390-03	13310-ZF6-W30
5	AT307-HD390-04	13310-ZF6-W40
		13310-ZK6-000
		13310-ZK6-670
6	AT307-HD390-05	13310-ZK6-600
		13310-ZF6-W60
7	AT307-HD390-06	13310-ZF6-W70





CRANKSHAFT
REPLACES: Honda GX440
MOQ: 40

NO.	Antanker No.	OEM No.
1	AT307-HD440-00	13310-Z2E-010
2	AT307-HD440-01	13310-Z2E-601
3	AT307-HD440-02	13310-Z2E-671
7	AT307-HD440-03	13310-Z2E-650



NO.	Antanker No.	OEM No.
5	AT307-HDXV160-00	13310-ZE7-010

NO.	Antanker No.	OEM No.
9	AT307-HDXV160-01	13310-ZE7-010

CRANKSHAFT ASSY.

REPLACES: Yanmer

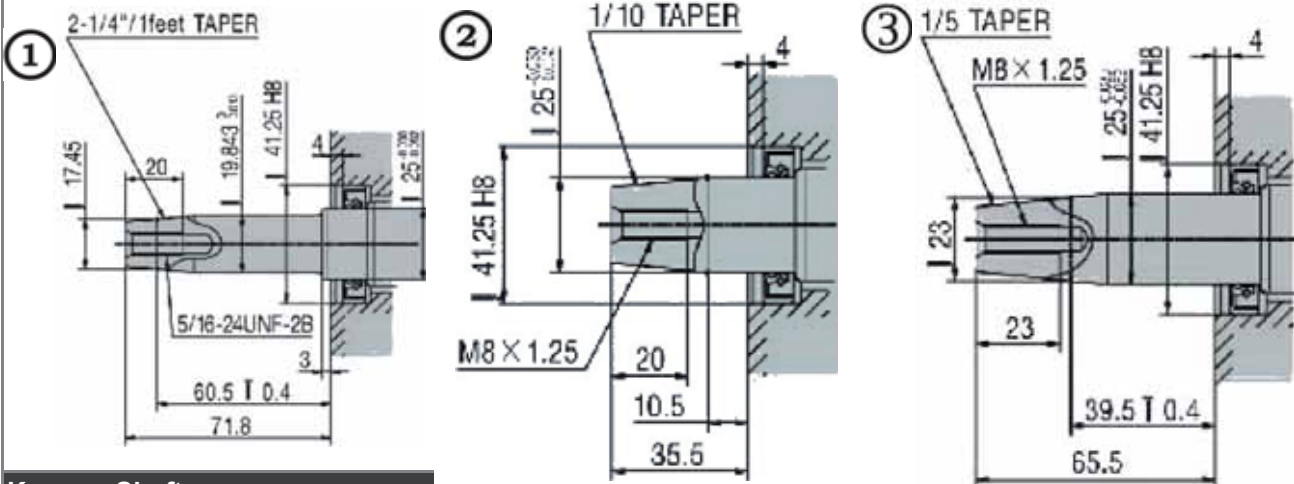
L48

MOQ: 40

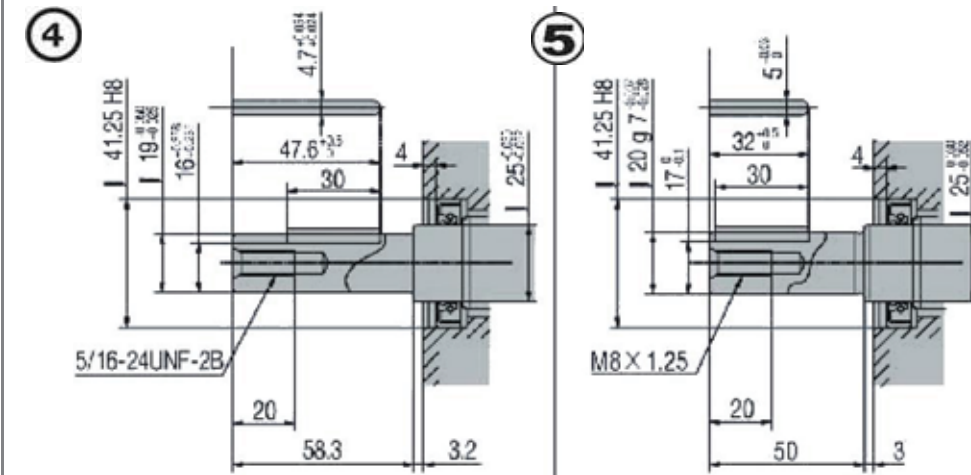


NO.	Antanker No.	OEM No.	NO.	Antanker No.	OEM No.
1	AT307-YM170-00	714288-21700	5	AT307-YM170-04	714288-21700
2	AT307-YM170-01	714288-21700	6	AT307-YM170-05	714288-21701
3	AT307-YM170-02	714288-21700	7	AT307-YM170-06	714288-21702
4	AT307-YM170-03	714288-21700			

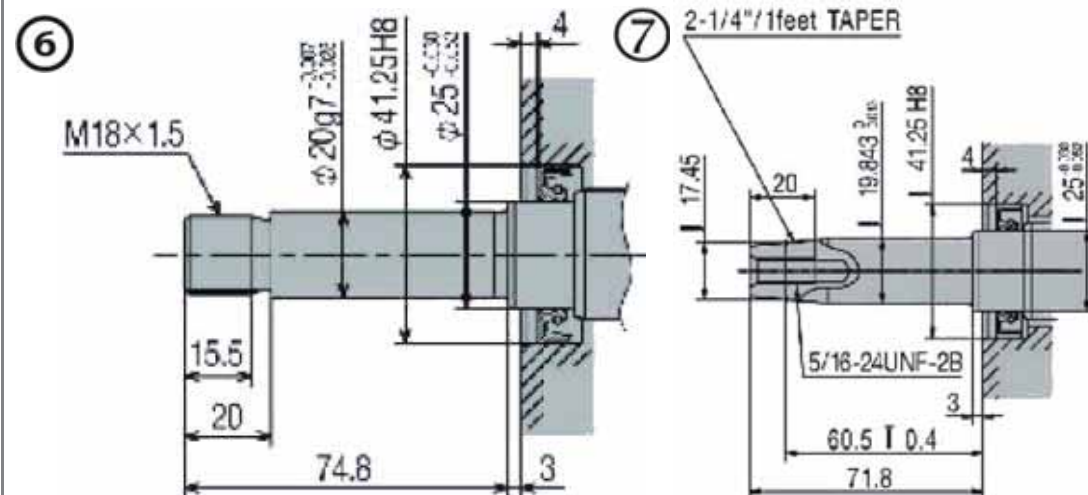
Taper Shaft



Keyway Shaft



Thread Shaft



CRANKSHAFT ASSY.

REPLACES: Yanmer

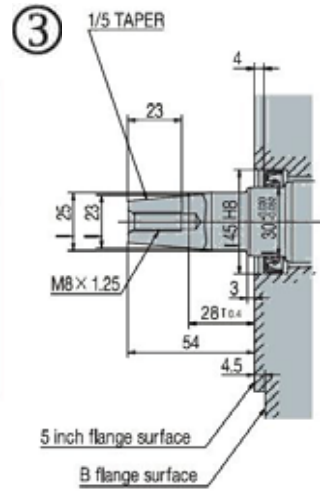
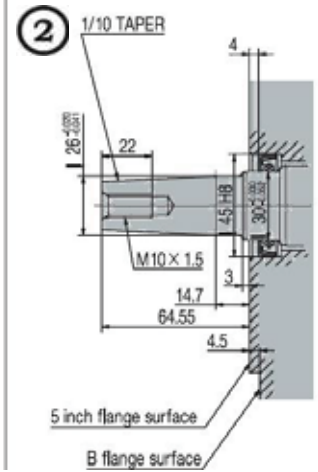
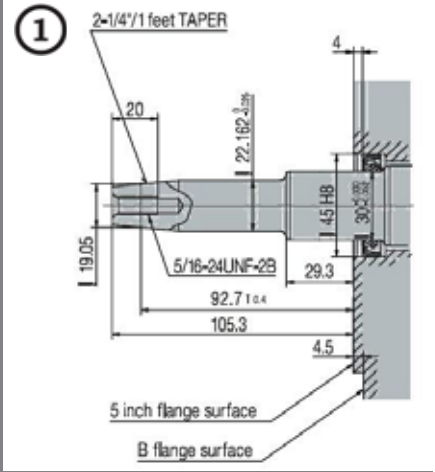
L70

MOQ: 40

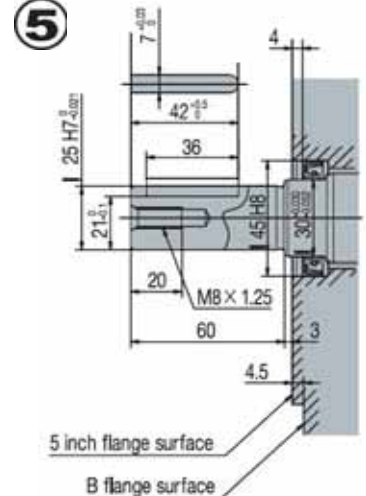
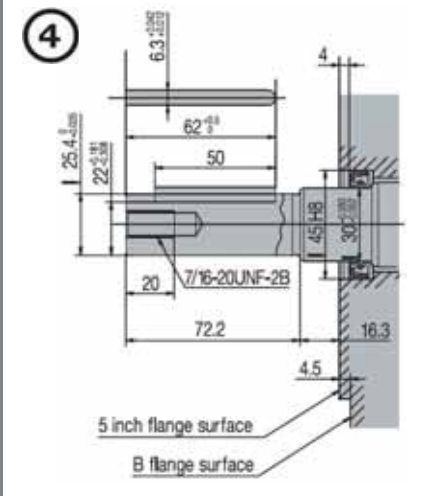


NO.	Antanker No.	OEM No.	NO.	Antanker No.	OEM No.
1	AT307-YM178-00	714368-21741	5	AT307-YM178-04	714368-21701
2	AT307-YM178-01	714368-21741	6	AT307-YM178-05	714368-21701
3	AT307-YM178-02	714368-21741	7	AT307-YM178-06	714368-21701
4	AT307-YM178-03	714368-21701			

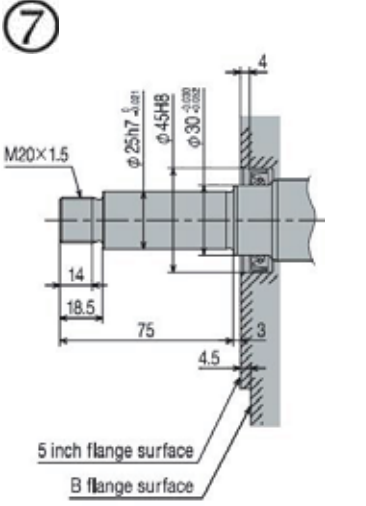
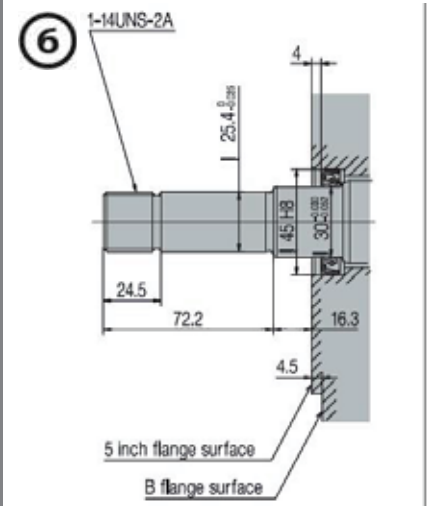
Taper Shaft



Keyway Shaft



Thread Shaft



CRANKSHAFT ASSY.

REPLACES: Yanmar

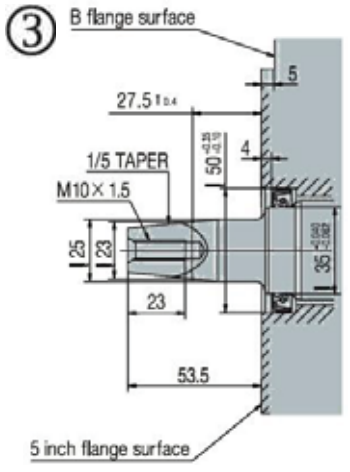
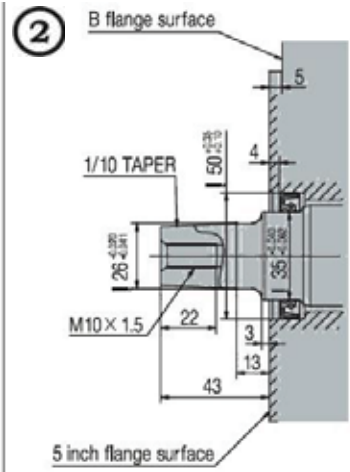
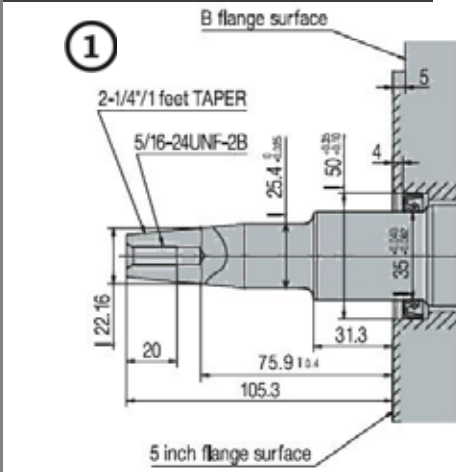
L100

MOQ: 40

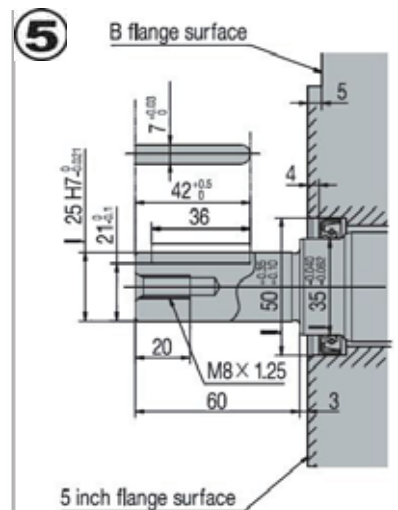
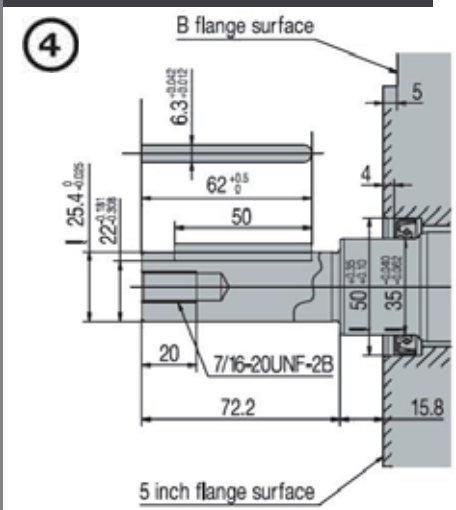


NO.	Antanker No.	OEM No.	NO.	Antanker No.	OEM No.
1	AT307-YM186-00	714685-21710	5	AT307-YM186-04	714685-21710
2	AT307-YM186-01	714685-21710	6	AT307-YM186-05	714685-21710
3	AT307-YM186-02	714685-21710			
4	AT307-YM186-03	714685-21710			

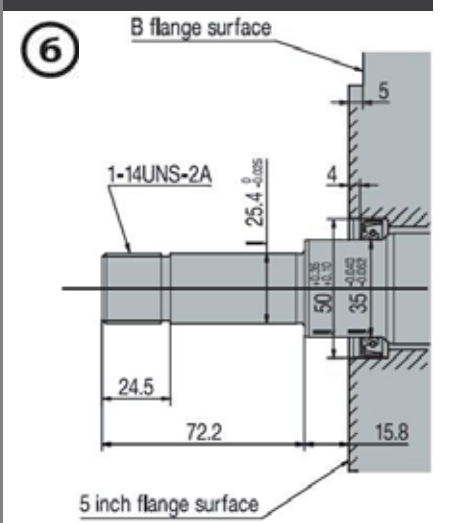
Taper Shaft



Keyway Shaft



Thread Shaft



CAMSHAFT

VALVE

GROUP

CAMSHAFT ASSEMBLY
REPLACES: Honda

GX120 GX160

GX200 GX240

GX270 GX340

GX390

MOQ: 30


Antanker No.	OEM No.	Model
AT401-HD120-00	14100-ZE0-812	GX120
AT401-HD160-00	14100-ZE1-812	GX160
AT401-HD200-00	14100-ZL0-000	GX200
AT401-HD240-00	14100-ZH9-000	GX240
AT401-HD270-00	14100-ZH9-000	GX270
AT401-HD340-00	14100-ZE3-010	GX340
AT401-HD390-00	14100-ZF6-W00	GX390

CAMSHAFT PULLEY COMP.
REPLACES: Honda

GX100

MOQ: 50


Antanker No.	OEM No.	Model
AT401-HD100-00	14320-Z0D-000	GX100

CAMSHAFT PULLEY COMP.
REPLACES: Honda

GX25

MOQ: 50


Antanker No.	OEM No.	Model
AT401-HD25-00	14320-Z0H-000 14320-Z0H-010	GX25

CAMSHAFT PULLEY COMP.
REPLACES: Honda

GX35

MOQ: 50


Antanker No.	OEM No.	Model
AT401-HD35-00	14320-Z0Z-000	GX35

CAMSHAFT ASSEMBLY
REPLACES: Honda

GX620 GX670

MOQ: 50


Antanker No.	OEM No.	Model
AT401-HD620-00	14100-ZJ1-801	GX620
AT401-HD670-00	14100-ZJ1-842	GX670

CAMSHAFT PULLEY COMP.
REPLACES: Honda

GXV160

MOQ: 30


Antanker No.	OEM No.	Model
AT401-HDXV160-00	14100-ZE7-000	GXV160

CAMSHAFT
REPLACES: Robin

EY20

MOQ: 30


Antanker No.	OEM No.	Model
AT401-RBY20-00	227-31901-21	EY20

CAMSHAFT ASSY.
REPLACES: Yanmar

L48 L70 L100

MOQ: 30


Antanker No.	OEM No.	Model
AT401-YM170-00	714780-14580	L48
AT401-YM178-00	714880-14580	L70
AT401-YM186-00	714689-14580	L100

PUSH ROD
REPLACES: Honda

GX120 GX160 GX200

GX240 GX270 GX340 GX390

MOQ: 100


Antanker No.	OEM No.	Model
AT402-HD120-00	14410-ZE0-010	GX120
AT402-HD160-00	14410-ZE1-010	GX160
AT402-HD200-00	14410-ZE1-010	GX200
AT402-HD240-00	14410-ZE2-013	GX240
AT402-HD270-00	14410-ZE2-013	GX270
AT402-HD340-00	14410-ZE3-013	GX340
AT402-HD390-00	14410-ZE3-013	GX390

VALVE PUSH ROD
REPLACES: Yanmar

L48 L70 L100

MOQ: 100


Antanker No.	OEM No.	Model
AT402-YM170-00	114250-14450	L48
AT402-YM178-00	114350-14450	L70
AT402-YM186-00	114650-14401	L100

PUSH ROD GUIDE PLATE
REPLACES: Honda

GX120 GX160

GX200 GX240

GX270 GX340

GX390

MOQ: 100


(With Rubber Pad)

Antanker No.	OEM No.	Model
AT403-HD120-01	14791-ZE0-000	GX120
AT403-HD160-01	14791-ZE1-010	GX160
AT403-HD200-01	14791-ZE1-010	GX200
AT403-HD240-01	14791-ZE2-010	GX240
AT403-HD270-01	14791-ZE2-010	GX270
AT403-HD340-01	14791-ZE2-010	GX340
AT403-HD390-01	14791-ZE2-010	GX390

VALVE ROCKER ARM
REPLACES: Honda

GX120 GX160

GX200 GX240

GX270 GX340

GX390

MOQ: 100


Antanker No.	OEM No.	Model
AT404-HD120-00	14431-ZE1-000	GX120
AT404-HD160-00	14431-ZE1-000	GX160
AT404-HD200-00	14431-ZE1-000	GX200
AT404-HD240-00	14431-ZE2-010	GX240
AT404-HD270-00	14431-ZE2-010	GX270
AT404-HD340-00	14431-ZE2-010	GX340
AT404-HD390-00	14431-ZE2-010	GX390

PUSH ROD GUIDE PLATE
REPLACES: Honda

GX120 GX160

GX200 GX240

GX270 GX340

GX390

MOQ: 100


(Metal Only)

Antanker No.	OEM No.	Model
AT403-HD120-00	14791-ZE0-000	GX120
AT403-HD160-00	14791-ZE1-010	GX160
AT403-HD200-00	14791-ZE1-010	GX200
AT403-HD240-00	14791-ZE2-010	GX240
AT403-HD270-00	14791-ZE2-010	GX270
AT403-HD340-00	14791-ZE2-010	GX340
AT403-HD390-00	14791-ZE2-010	GX390

PUSH ROD GUIDE PLATE
REPLACES: Honda

GXV160

MOQ: 100


Antanker No.	OEM No.	Model
AT403-HDXV160-00	14791-ZE1-010	GXV160

VALVE ROCKER ARM
REPLACES: Honda

GX620 GX670

MOQ: 100


Antanker No.	OEM No.	Model
AT404-HD620-00	14431-ZJ1-000	GX620
AT404-HD670-00	14431-ZJ1-010	GX670

VALVE ROCKER ARM
REPLACES: Honda

GXV160

MOQ: 100


Antanker No.	OEM No.	Model
AT404-HDXV160-00	14431-ZE1-000	GXV160

VALVE ROCKER ARM
REPLACES: Loncin

170F

MOQ: 100


Antanker No.	OEM No.	Model
AT404-LC170-00		170F

VALVE ROCKER ARM
REPLACES: Yamaha

MZ175

MOQ: 100


Antanker No.	OEM No.	Model
AT404-YMH175-00	JA9-12151-00	MZ175

Intake Valve rocker arm & Lifter
REPLACES: Honda

GX35

MOQ: 100


Antanker No.	OEM No.	Model
AT404-HD35-00	14431-Z0H-003 14730-Z0Z-000	GX35

Exhaust Valve rocker arm & Lifter
REPLACES: Honda

GX35

MOQ: 100


Antanker No.	OEM No.	Model
AT405-HD35-00	14431-Z0H-003 14730-Z0Z-000	GX35

VALVE LIFTER ASSY.
REPLACES: Honda

GX620 GX670

MOQ: 100


Antanker No.	OEM No.	Model
AT405-HD620-00	14730-ZJ1-841	GX620
AT405-HD670-00	14730-ZJ1-841	GX670

INTAKE ARM ASSY
REPLACES: Yanmar

L48 L70 L100

MOQ: 50


Antanker No.	OEM No.	Model
AT405-YM170-00	114250-11651	L48
AT405-YM178-00	114250-11651	L70
AT405-YM186-00	114650-11652	L100

EXHAUST ARM ASSY
REPLACES: Yanmar

L48 L70 L100

MOQ: 50


Antanker No.	OEM No.	Model
AT405-YM170-01	714270-11660	L48
AT405-YM178-01	714370-11660	L70
AT405-YM186-01	714670-11660	L100

VALVE LIFTER
REPLACES: Honda

GX120 GX160

GX200 GX240

GX270 GX340

GX390

MOQ: 100


Antanker No.	OEM No.	Model
AT406-HD120-00	14441-ZE1-010	GX120
AT406-HD160-00	14441-ZE1-010	GX160
AT406-HD200-00	14731-ZL0-000	GX200
AT406-HD240-00	14441-ZE2-000	GX240
AT406-HD270-00	14441-ZE2-000	GX270
AT406-HD340-00	14441-ZE2-000	GX340
AT406-HD390-00	14441-ZE2-000	GX390

TAPPET
REPLACES: Robin

EY20

MOQ: 100


Antanker No.	OEM No.	Model
AT406-RBY20-00	227-33301-03	EY20

ROCKER ARM PIVOT
REPLACES: Honda

GX120 GX160

GX200 GX240

GX270 GX340

GX390

MOQ: 100


Antanker No.	OEM No.	Model
AT407-HD120-00	14451-ZE1-003	GX120
AT407-HD160-00	14451-ZE1-013	GX160
AT407-HD200-00	14451-ZE1-013	GX200
AT407-HD240-00	14451-ZE1-013	GX240
AT407-HD270-00	14451-ZE1-013	GX270
AT407-HD340-00	14451-ZE1-013	GX340
AT407-HD390-00	14451-ZE1-013	GX390

INTAKE VALVE
REPLACES: Honda

GX25

MOQ: 100


Antanker No.	OEM No.	Model
AT408-HD25-00	14711-Z0H-000	GX25

INTAKE VALVE
REPLACES: Honda

GX35

MOQ: 100


Antanker No.	OEM No.	Model
AT408-HD35-00	14711-Z0Z-000	GX35

INTAKE VALVE
REPLACES: Robin

EH12

MOQ: 200


Antanker No.	OEM No.	Model
AT408-RBH12-00	268-33401-03	EH12

TAPPET
REPLACES: Yanmar

L48 L70 L100

MOQ: 100


Antanker No.	OEM No.	Model
AT406-YM170-00	114250-14200	L48
AT406-YM178-00	114250-14200	L70
AT406-YM186-00	114250-14260	L100

INTAKE VALVE
REPLACES: Honda

GX120 GX160 GX200

GX240 GX270 GX340

GX390 GX440 GX620

GX670 GXV160

MOQ: 100


Antanker No.	OEM No.	Model
AT408-HD120-00	14711-ZF0-000	GX120
AT408-HD160-00	14711-ZF1-000	GX160
AT408-HD200-00	14711-ZF1-000	GX200
AT408-HD240-00	14711-ZE2-000	GX240
AT408-HD270-00	14711-ZE2-000	GX270
AT408-HD340-00	14711-ZE3-000	GX340
AT408-HD390-00	14711-ZE3-000	GX390
AT408-HD440-00	14711-Z2E-000	GX440
AT408-HD620-00	14711-ZJ1-000	GX620
AT408-HD670-00	14711-ZE3-000	GX670
AT408-HDXV160-00	14711-ZF1-000	GXV160

INTAKE VALVE
REPLACES: Honda

GX100

MOQ: 100


Antanker No.	OEM No.	Model
AT408-HD100-00	14711-Z0D-000	GX100

INTAKE VALVE
REPLACES: Robin

EY20

MOQ: 200


Antanker No.	OEM No.	Model
AT408-RBY20-00	227-33401-03	EY20

INTAKE VALVE
REPLACES: Yanmar

L48 L70 L100

MOQ: 100


Antanker No.	OEM No.	Model
AT408-YM170-00	114250-11101	L48
AT408-YM178-00	114350-11101	L70
AT408-YM186-00	114650-11100	L100

INTAKE VALVE
REPLACES: Robin

EY15

MOQ: 200


Antanker No.	OEM No.	Model
AT408-RBY15-00	281-33401-03	EY15

EXHAUST VALVE
REPLACES: Honda

GX100

MOQ: 100


Antanker No.	OEM No.	Model
AT409-HD100-00	14721-Z0D-000	GX100

INTAKE VALVE
REPLACES: Robin

EX27

MOQ: 200


Original

Antanker No.	OEM No.	Model
AT408-RBX27-00	279-33401-13	EX27

EXHAUST VALVE
REPLACES: Honda

GX25

MOQ: 100


Antanker No.	OEM No.	Model
AT409-HD25-00	14721-Z0H-000	GX25

EXHAUST VALVE
REPLACES: Honda

GX120 GX160 GX200

GX240 GX270 GX340

GX390 GX440 GX620

GX670 GXV160

MOQ: 100


Antanker No.	OEM No.	Model
AT409-HD120-00	14721-ZF0-000	GX120
AT409-HD160-00	14721-ZF1-000	GX160
AT409-HD200-00	14721-ZF1-000	GX200
AT409-HD240-00	14721-ZE2-000	GX240
AT409-HD270-00	14721-ZE2-000	GX270
AT409-HD340-00	14721-ZE3-000	GX340
AT409-HD390-00	14721-ZE3-000	GX390
AT409-HD440-00	14721-ZZE-000	GX440
AT409-HD620-00	14721-ZJ1-000	GX620
AT409-HD670-00	14721-ZE3-000	GX670
AT409-HDXV160-00	14721-ZF7-000	GXV160

EXHAUST VALVE
REPLACES: Robin

EY20

MOQ: 200


Antanker No.	OEM No.	Model
AT409-RBY20-00	227-33501-13	EY20

EXHAUST VALVE
REPLACES: Honda

GX35

MOQ: 100


Antanker No.	OEM No.	Model
AT409-HD35-00	14721-Z0Z-000	GX35

EXHAUST VALVE
REPLACES: Robin

EH12

MOQ: 200


Antanker No.	OEM No.	Model
AT409-RBH12-00	268-33501-03	EH12

VALVE SPRING
REPLACES: Honda

GX120 GX160 GX200

GX240 GX270 GX340

GX390 GX620

GX670 GXV160

MOQ: 100


Antanker No.	OEM No.	Model
AT410-HD120-00	14751-ZF1-000	GX120
AT410-HD160-00	14751-ZF1-000	GX160
AT410-HD200-00	14751-ZF1-000	GX200
AT410-HD240-00	14751-ZE2-003	GX240
AT410-HD270-00	14751-ZE2-003	GX270
AT410-HD340-00	14751-ZE2-003	GX340
AT410-HD390-00	14751-ZE2-003	GX390
AT410-HD620-00	14751-ZE2-003	GX620
AT410-HD670-00	14751-ZE2-003	GX670
AT410-HDXV160-00	14751-ZE1-000	GXV160

EXHAUST VALVE
REPLACES: Robin

EY15

MOQ: 200


Antanker No.	OEM No.	Model
AT409-RBY15-00	281-33501-03	EY15

EXHAUST VALVE
REPLACES: Yanmar

L48 L70 L100

MOQ: 100


Antanker No.	OEM No.	Model
AT409-YM170-00	114250-11113	L48
AT409-YM178-00	114350-11113	L70
AT409-YM186-00	114654-11110	L100

VALVE SPRING
REPLACES: Robin

EY15 EY20

MOQ: 200


Antanker No.	OEM No.	Model
AT410-RBY15-00	227-33601-03	EY15
AT410-RBY20-00	227-33601-03	EY20

VALVE SPRING
REPLACES: Honda

GX25

MOQ: 100


Antanker No.	OEM No.	Model
AT410-HD25-00	14751-Z0H-000	GX25

VALVE SPRING
REPLACES: Honda

GX35

MOQ: 100


Antanker No.	OEM No.	Model
AT410-HD35-00	14751-Z0Z-000	GX35

IN. VALVE SPRING RETAINER
REPLACES: Honda

GX25

MOQ: 100


Antanker No.	OEM No.	Model
AT411-HD25-00	14771-Z0H-000	GX25

VALVE SPRING
REPLACES: Yanmar

L48 L70 L100

MOQ: 100


Antanker No.	OEM No.	Model
AT410-YM170-00	114250-11113	L48
AT410-YM178-00	114350-11113	L70
AT410-YM186-00	114654-11110	L100

SPRING RETAINER
REPLACES: Robin

EY15 EY20

MOQ: 200


Antanker No.	OEM No.	Model
AT411-RBY15-00	227-33701-03	EY15
AT411-RBY20-00	227-33701-03	EY20

VALVE SPRING RETAINER
REPLACES: Yanmar

L48 L70 L100

MOQ: 100


Antanker No.	OEM No.	Model
AT411-YM170-00	114250-11180	L48
AT411-YM178-00	101158-11180	L70
AT411-YM186-00	119620-11180	L100

IN. VALVE SPRING RETAINER
REPLACES: Honda

GX100

MOQ: 100


Antanker No.	OEM No.	Model
AT411-HD100-00	14771-ZM3-010	GX100

EX. VALVE SPRING RETAINER
REPLACES: Honda

GX25

MOQ: 100


Antanker No.	OEM No.	Model
AT412-HD25-00	14771-Z0H-000	GX25

IN. VALVE SPRING RETAINER
REPLACES: Honda

GX120 GX160 GX200

GX240 GX270 GX340

GX390 GX440 GX620

GX670 GXV160

MOQ: 100


Antanker No.	OEM No.	Model
AT411-HD120-00	14771-ZE1-000	GX120
AT411-HD160-00	14771-ZE1-000	GX160
AT411-HD200-00	14771-ZE1-000	GX200
AT411-HD240-00	14771-ZE2-000	GX240
AT411-HD270-00	14771-ZE2-000	GX270
AT411-HD340-00	14771-ZE2-000	GX340
AT411-HD390-00	14771-ZE2-000	GX390
AT411-HD440-00	14771-ZE1-000	GX440
AT411-HD620-00	14771-ZE2-000	GX620
AT411-HD670-00	14771-ZE2-000	GX670
AT411-HDXV160-00	14771-ZE1-000	GXV160

EX. VALVE SPRING RETAINER
REPLACES: Honda

GX120 GX160 GX200

GX240 GX270 GX340

GX390 GX440

GX620 GX670

GXV160

MOQ: 100


Antanker No.	OEM No.	Model
AT412-HD120-00	14773-ZE1-000	GX120
AT412-HD160-00	14773-ZE1-000	GX160
AT412-HD200-00	14773-ZE1-000	GX200
AT412-HD240-00	14773-ZE2-000	GX240
AT412-HD270-00	14773-ZE2-000	GX270
AT412-HD340-00	14773-ZE2-000	GX340
AT412-HD390-00	14773-ZE2-000	GX390
AT412-HD440-00	14773-ZE1-000	GX440
AT412-HD620-00	14773-ZE2-000	GX620
AT412-HD670-00	14773-ZE2-000	GX670
AT412-HDXV160-00	14773-ZE1-000	GXV160

EX. VALVE SPRING RETAINER
REPLACES: Honda

GX100

MOQ: 100


Antanker No.	OEM No.	Model
AT412-HD100-00	14771-ZM3-010	GX100

VALVE STEM SEAL
REPLACES: Honda

GX35

MOQ: 100


Antanker No.	OEM No.	Model
AT414-HD35-00	12209-Z0H-003	GX35

VALVE STEM SEAL
REPLACES: Yanmar

L48 L70 L100

MOQ: 100


Antanker No.	OEM No.	Model
AT414-YM170-00	114250-11340	L48
AT414-YM178-00	114350-11340	L70
AT414-YM186-00	114650-11340	L100

VALVE SPRING SEAT
REPLACES: Honda

GX620 GX670

MOQ: 100


Antanker No.	OEM No.	Model
AT413-HD620-00	14775-ZE2-010	GX620
AT413-HD670-00	14775-ZE2-010	GX670

VALVE ROTATOR
REPLACES: Honda

GX120 GX160 GX200

GX240 GX270 GX340

GX390

MOQ: 100


Antanker No.	OEM No.	Model
AT415-HD120-00	14781-ZE1-000	GX120
AT415-HD160-00	14781-ZE1-000	GX160
AT415-HD200-00	14781-ZE1-000	GX200
AT415-HD240-00	14781-ZE2-000	GX240
AT415-HD270-00	14781-ZE2-000	GX270
AT415-HD340-00	14781-ZE2-000	GX340
AT415-HD390-00	14781-ZE2-000	GX390

VALVE STEM SEAL
REPLACES: Honda

GX100

MOQ: 100


Antanker No.	OEM No.	Model
AT414-HD100-00	12209-KT7-013	GX100

IN. VALVE GUIDE
REPLACES: Honda

GX120 GX160 GX200

GX240 GX270 GX340

GX390 GX620 GX670

MOQ: 100


Antanker No.	OEM No.	Model
AT416-HD120-00	12204-ZE1-306	GX120
AT416-HD160-00	12204-ZE1-306	GX160
AT416-HD200-00	12204-ZE1-306	GX200
AT416-HD240-00	12204-ZE2-306	GX240
AT416-HD270-00	12204-ZE2-306	GX270
AT416-HD340-00	12204-ZE2-306	GX340
AT416-HD390-00	12204-ZE2-306	GX390
AT416-HD620-00	12204-ZE2-306	GX620
AT416-HD670-00	12204-ZE2-306	GX670

VALVE STEM SEAL
REPLACES: Honda

GX120 GX160 GX200

MOQ: 100


Antanker No.	OEM No.	Model
AT414-HD120-00	12209-ZH8-003	GX120
AT414-HD160-00	12209-ZH8-003	GX160
AT414-HD200-00	12209-ZL0-003	GX200

VALVE STEM SEAL
REPLACES: Honda

GX240 GX270

GX340 GX390

MOQ: 100


Antanker No.	OEM No.	Model
AT414-HD240-00	12209-ZE8-003	GX240
AT414-HD270-00	12209-ZE8-003	GX270
AT414-HD340-00	12209-ZE8-003	GX340
AT414-HD390-00	12209-ZE8-003	GX390

EX. VALVE GUIDE
REPLACES: Honda

GX120 GX160 GX200

GX240 GX270 GX340

GX390 GX620 GX670

MOQ: 100


Antanker No.	OEM No.	Model
AT417-HD120-00	12205-ZE1-315	GX120
AT417-HD160-00	12205-ZE1-315	GX160
AT417-HD200-00	12205-ZE1-315	GX200
AT417-HD240-00	12205-ZE2-305	GX240
AT417-HD270-00	12205-ZE2-305	GX270
AT417-HD340-00	12205-ZE2-305	GX340
AT417-HD390-00	12205-ZE2-305	GX390
AT417-HD620-00	12205-ZJ1-405	GX620
AT417-HD670-00	12205-ZJ1-405	GX670

AIR INLET VALVE MOUNT
REPLACES: Yamaha

ET950

MOQ: 50


Antanker No.	OEM No.	Model
AT419-YMH950-00		ET950

COTTERS
REPLACES: Yanmar

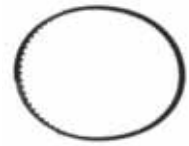
L48 L70 L100

MOQ: 100


Antanker No.	OEM No.	Model
AT420-YM170-00	714250-11570	L48
AT420-YM178-00	714250-11570	L70
AT420-YM186-00	714250-11570	L100

TIMING BELT
REPLACES: Honda

GX35

MOQ: 50


Antanker No.	OEM No.	Model
AT418-HD35-00	14400-Z0Z-003	GX35

TIMING BELT
REPLACES: Honda

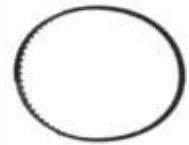
GX100

MOQ: 50


Antanker No.	OEM No.	Model
AT418-HD100-00	14400-Z0D-003	GX100

TIMING BELT
REPLACES: Honda

GX25

MOQ: 50


Antanker No.	OEM No.	Model
AT418-HD25-00	14400-Z0H-003	GX25

COTTERS
REPLACES: Honda

GX440

MOQ: 100


Antanker No.	OEM No.	Model
AT420-HD440-00		GX440

RECOIL STARTER

FAN COVER

GROUP

RECOIL STARTER ASSEMBLY
REPLACES: Honda

GX120 GX160

GX200

MOQ: 50


(With plastic ratchet)

Antanker No.	OEM No.	Model
AT501-HD120-00	28400-ZE1-003ZF	GX120
AT501-HD160-00	28400-ZH8-013YA	GX160
AT501-HD200-00	28400-ZH8-013ZA	GX200

RECOIL STARTER ASSEMBLY
REPLACES: Honda

GX120 GX160

GX200 GX240

GX270 GX340

GX390

MOQ: 50


(With Steel rod ratchet)

Antanker No.	OEM No.	Model
AT501-HD120-01	28400-ZE1-003ZF	GX120
AT501-HD160-01	28400-ZH8-013YA	GX160
AT501-HD200-01	28400-ZH8-013YA	GX200
AT501-HD240-01	28400-ZE2-W01ZN	GX240
AT501-HD270-01	28400-ZE2-W01ZN	GX270
AT501-HD340-01	28400-ZE3-W01ZP	GX340
AT501-HD390-01	28400-ZE3-W01ZP	GX390

RECOIL STARTER ASSEMBLY
REPLACES: Honda

GX120 GX160

GX200 GX240

GX270 GX340

GX390

MOQ: 50


(With steel plate ratchet)

Antanker No.	OEM No.	Model
AT501-HD120-02	28400-ZE1-003ZF	GX120
AT501-HD160-02	28400-ZH8-013YA	GX160
AT501-HD200-02	28400-ZH8-013YA	GX200
AT501-HD240-02	28400-ZE2-W01ZN	GX240
AT501-HD270-02	28400-ZE2-W01ZN	GX270
AT501-HD340-02	28400-ZE3-W01ZP	GX340
AT501-HD390-02	28400-ZE3-W01ZP	GX390

RECOIL STARTER ASSEMBLY
REPLACES: Honda

GX100

MOQ: 50


(With plastic ratchet)

Antanker No.	OEM No.	Model
AT501-HD100-00	28400-Z0D-V02ZC	GX100

RECOIL STARTER ASSEMBLY
REPLACES: Honda

GX100

MOQ: 50


(With steel plate ratchet)

Antanker No.	OEM No.	Model
AT501-HD100-02	28400-Z0D-V02ZC	GX100

RECOIL STARTER ASSY
REPLACES: Honda

GXV 160

MOQ: 50


(Red,With Steel rod ratchet)

Antanker No.	OEM No.	Model
AT501-HDXV 160-00	28400-Z1V-003ZB	GXV 160

RECOIL STARTER ASSEMBLY
REPLACES: Honda

GX160

MOQ: 50


(bent steel rod ratchet)

Antanker No.	OEM No.	Model
AT501-HD160-03	28400-ZH8-013YA	GX160

RECOIL STARTER ASSEMBLY

REPLACES: Honda
G100
MOQ: 50



(With steel plate ratchet)

Antanker No.	OEM No.	Model
AT501-HDG100-02	28400-ZG0-004ZB	G100

RECOIL STARTER ASSY

REPLACES: Honda
GXV160
MOQ: 50



(Black, With Steel plate ratchet)

Antanker No.	OEM No.	Model
AT501-HDXV160-01	28400-ZG9-803	GXV160

RECOIL STARTER ASSY

REPLACES: Honda
GCV135 GCV160
MOQ: 50



(Black)

Antanker No.	OEM No.	Model
AT501-HDCV135-01	28400-ZM0-003ZA	GCV135
AT501-HDCV160-01	28400-ZM0-003ZA	GCV160

RECOIL STARTER ASSY

REPLACES: Honda
GCV135 GCV160
MOQ: 50



(RED)

Antanker No.	OEM No.	Model
AT501-HDCV135-00	28400-ZM0-003ZB	GCV135
AT501-HDCV160-00	28400-ZM0-003ZB	GCV160

RECOIL STARTER ASSY

REPLACES: Honda
GX35
MOQ: 50



(With plastic ratchet)

Antanker No.	OEM No.	Model
AT501-HD35-00	28400-Z0Z-003	GX35

RECOIL STARTER ASSY

REPLACES: Honda
GX25
MOQ: 50



(With plastic ratchet)

Antanker No.	OEM No.	Model
AT501-HD25-00	28400-Z0H-003 28400-Z0H-801	GX25

RECOIL STARTER AY

REPLACES: Robin
EY20
MOQ: 50



(Low)

Antanker No.	OEM No.	Model
AT501-RBY20-01	227-50811-10	EY20

RECOIL STARTER AY

REPLACES: Robin
EY20
MOQ: 50



(High)

Antanker No.	OEM No.	Model
AT501-RBY20-00	227-50811-10	EY20

RECOIL STARTER

REPLACES: Robin
EH12
MOQ: 50



(With steel plate ratchet)

Antanker No.	OEM No.	Model
AT501-RBH12-02	268-50201-00	EH12

RECOIL STARTER

REPLACES: Robin
EH12
MOQ: 50



(With plastic ratchet)

Antanker No.	OEM No.	Model
AT501-RBH12-00	268-50201-00	EH12

RECOIL STARTER ASSEMBLY
REPLACES: Stihl

MS170

MS180

MOQ: 50


Antanker No.	OEM No.	Model
AT501-MS170-00	1130 080 2100	MS170
AT501-MS180-00	1130 080 2105	MS180
AT501-MS180-00	1139 080 2102	MS180

RECOIL STARTER ASSEMBLY
REPLACES: Stihl

MS210

MS230

MS250

MOQ: 50


Antanker No.	OEM No.	Model
AT501-MS210-00		MS210
AT501-MS230-00	1123 080 2104	MS230
AT501-MS250-00		MS250

RECOIL STARTER ASSY
REPLACES: Stihl

MS290

MS310

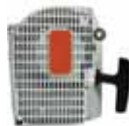
MOQ: 50


Antanker No.	OEM No.	Model
AT501-MS290-00	1127 080 2103	MS290
AT501-MS310-00	1127 080 2108	MS310

RECOIL STARTER ASSY
REPLACES: Stihl

MS440

MS460

MOQ: 50


Antanker No.	OEM No.	Model
AT501-MS440-00		MS290
AT501-MS460-00	1128 080 2104	MS310

RECOIL STARTER ASSEMBLY
REPLACES: Stihl

MS192T

MOQ: 50


Antanker No.	OEM No.	Model
AT501-MS192T-00	1137-084-1000	MS192T

RECOIL STARTER ASSEMBLY
REPLACES: Stihl

MS240

MS260

MOQ: 50


Antanker No.	OEM No.	Model
AT501-MS240-00		MS240
AT501-MS260-00	1121 080 2101	MS260

RECOIL STARTER ASSEMBLY
REPLACES: Stihl

MS340

MS360

MOQ: 50


Antanker No.	OEM No.	Model
AT501-MS340-00		MS340
AT501-MS360-00	1125 080 2105	MS360

RECOIL STARTER ASSEMBLY
REPLACES: Stihl

MS380

MS381

MOQ: 50


Antanker No.	OEM No.	Model
AT501-MS380-00		MS380
AT501-MS381-00	1119 080 2101	MS381

RECOIL STARTER ASSEMBLY
REPLACES: Stihl

MS640

MS660

MOQ: 50


Antanker No.	OEM No.	Model
AT501-MS640-00	1122 080 2105	MS640
AT501-MS660-00	1122 080 2110	MS660

RECOIL STARTER ASSEMBLY
REPLACES: Stihl

FS38

FS45

FS55

MOQ: 50


Antanker No.	OEM No.	Model
AT501-FS38-00		FS38
AT501-FS45-00	4140 190 4009	FS45
AT501-FS55-00		FS55

RECOIL STARTER ASSEMBLY
REPLACES: Stihl

TS400

MOQ: 50


Antanker No.	OEM No.	Model
AT501-TS400-00	4223 190 0401	TS400
	4223 190 0400	

RECOIL STARTER ASSEMBLY
REPLACES: Stihl

FS120

FS200

FS250

MOQ: 50


Antanker No.	OEM No.	Model
AT501-FS120-00	1129 080 2105	FS120
AT501-FS200-00	1123 080 2104	FS200
AT501-FS250-00	4134 080 2101	FS250

RECOIL STARTER ASSEMBLY
REPLACES: Stihl

TS410

TS420

MOQ: 50


Antanker No.	OEM No.	Model
AT501-TS410-00		TS410
AT501-TS420-00	4238 190 0404	TS420

RECOIL STARTER ASSEMBLY
REPLACES: Husqvarna

CS51

CS55

MOQ: 50


Antanker No.	OEM No.	Model
AT501-51-00	503151803	CS51
AT501-55-00	503151802	CS55
	503151801	
	503 60 88-03	

RECOIL STARTER ASSY
REPLACES: Husqvarna

CS61

CS268

CS272

MOQ: 50


Antanker No.	OEM No.	Model
AT501-CS61-00		CS61
AT501-CS268-00	266 66 268	CS268
AT501-CS272-00	503-61-55-71	CS272

RECOIL STARTER ASSEMBLY
REPLACES: Husqvarna

CS137

CS142

MOQ: 50


Antanker No.	OEM No.	Model
AT501-CS137-00		CS137
AT501-CS142-00	530165247	CS142

RECOIL STARTER ASSY
REPLACES: Husqvarna

CS340

CS345

CS350

CS353

MOQ: 50


Antanker No.	OEM No.	Model
AT501-CS340-00		CS340
AT501-CS345-00	537 42 29-01	CS345
AT501-CS350-00	537 10 47-02	CS350
AT501-CS353-00	501 49 28-02	CS353

RECOIL STARTER ASSEMBLY
REPLACES: Husqvarna

CS362

CS365

CS372

MOQ: 50


Antanker No.	OEM No.	Model
AT501-CS362-00		CS362
AT501-CS365-00	503 62 81-71	CS365
AT501-CS372-00	503 62 81-71	CS372

RECOIL STARTER ASSEMBLY
REPLACES: Husqvarna

CS435

CS440

MOQ: 50


Antanker No.	OEM No.	Model
AT501-CS435-00		CS435
AT501-CS440-00	522 01 25-01	CS440

RECOIL STARTER ASSEMBLY
REPLACES: Zenoah

3800

MOQ: 50


Antanker No.	OEM No.	Model
AT501-ZEN38-00		3800

RECOIL STARTER ASSEMBLY
REPLACES: Zenoah

4500

5200

5800


MOQ: 50

Antanker No.	OEM No.	Model
AT501-ZEN45-00		4500
AT501-ZEN52-00		5200
AT501-ZEN58-00		5800

RECOIL STARTER
REPLACES: B&S

WP3-65

MOQ: 50


(With plastic ratchet)

Antanker No.	OEM No.	Model
AT501-BSWP3-65		WP3-65

RECOIL STARTER
REPLACES: Robin

EX13

MOQ: 50


(With plastic ratchet)

Antanker No.	OEM No.	Model
AT501-RBX13-00	268-50201-30	EX13

RECOIL STARTER ASSY.
REPLACES: Yamaha

ET950

MOQ: 50


(NYLON RATCHET)

Antanker No.	OEM No.	Model
AT501-YMH950-00	7CE-2621-00	ET950

RECOIL STARTER ASSY.
REPLACES: Yanmar

L48 L70 L100

MOQ: 50


Antanker No.	OEM No.	Model
AT501-YM170-00	714260-76810	L48
AT501-YM178-00	714880-76820	L70
AT501-YM186-00	714660-76821	L100

RECOIL STARTER
REPLACES: B&S

1150

MOQ: 50


(With plastic ratchet)

Antanker No.	OEM No.	Model
AT501-BS115-00		1150

RECOIL STARTER
REPLACES: Wacker

WM80

MOQ: 50


(With plastic ratchet)

Antanker No.	OEM No.	Model
AT501-WM80-00		WM80

RECOIL STARTER REEL
REPLACES: Honda

GX120 GX160

GX200

MOQ: 50

 (With plastic ratchet, center hole Φ 14mm)

Antanker No.	OEM No.	Model
AT503-HD120-00	28420-ZH8-013	GX120
AT503-HD160-00	28420-ZH8-013	GX160
AT503-HD200-00	28420-ZH8-013	GX200

RECOIL STARTER REEL
REPLACES: Honda

GX120 GX160

GX200

MOQ: 50

 (With Steel rod ratchet, center hole Φ 14.3mm)

Antanker No.	OEM No.	Model
AT503-HD120-01	28420-ZE1-003	GX120
AT503-HD160-01	28420-ZE1-003	GX160
AT503-HD200-01	28420-ZE1-003	GX200

RECOIL STARTER REEL
REPLACES: Honda

GX240 GX240

GX340 GX390

MOQ: 50

 (With Steel rod ratchet, center hole Φ 18mm)

Antanker No.	OEM No.	Model
AT503-HD240-01	28421-ZE2-W01	GX240
AT503-HD270-01	28421-ZE2-W01	GX270
AT503-HD340-01	28421-ZE3-W01	GX340
AT503-HD390-01	28421-ZE3-W01	GX390

STARTER REEL
REPLACES: Yamaha

ET950

MOQ: 50


Antanker No.	OEM No.	Model
AT503-YMH950-00	7CE-E5714-00	ET950

STARTER REEL
REPLACES: Yanmar

L48 L70 L100

MOQ: 50

STARTER RATCHET
REPLACES: Yanmar

L48 L70 L100

MOQ: 100


Antanker No.	OEM No.	Model
AT504-YM170-00		L48
AT504-YM178-00		L70
AT504-YM186-00		L100

Antanker No.	OEM No.	Model
AT503-YM170-00	160260-76520	L48
AT503-YM178-00	160810-76520	L70
AT503-YM186-00	114650-76520	L100

RATCHET
REPLACES: Honda

GX120 GX160

GX200 GX240

GX270 GX340

GX390

MOQ: 100

(Steel rod)

Antanker No.	OEM No.	Model
AT504-HD120-01	28422-ZH8-801	GX120
AT504-HD160-01	28422-ZH8-801	GX160
AT504-HD200-01	28422-ZH8-801	GX200
AT504-HD240-01		GX240
AT504-HD270-01		GX270
AT504-HD340-01		GX340
AT504-HD390-01		GX390

RECOIL STARTER REEL
REPLACES: Honda

GX120 GX160

GX200 GX240

GX270 GX340

GX390

MOQ: 50

(With Steel Plate ratchet, center hole Φ 13mm)

Antanker No.	OEM No.	Model
AT503-HD120-02	28420-ZE1-003	GX120
AT503-HD160-02	28420-ZE1-003	GX160
AT503-HD200-02	28420-ZE1-003	GX200
AT503-HD240-02	28421-ZE2-W01	GX240
AT503-HD270-02	28421-ZE2-W01	GX270
AT503-HD340-02	28421-ZE3-W01	GX340
AT503-HD390-02	28421-ZE3-W01	GX390

RECOIL STARTER SPRING
REPLACES: Honda

GXV 160

MOQ: 100


Antanker No.	OEM No.	Model
AT505-HDXV 160-00	28442-896-700	GXV 160

RATCHET
REPLACES: Honda

GX120 GX160

GX200

MOQ: 50

(Plastic)

Antanker No.	OEM No.	Model
AT504-HD120-00	28422-ZH8-013	GX120
AT504-HD160-00	28422-ZH8-013	GX160
AT504-HD200-00	28422-ZH8-013	GX200

RECOIL STARTER SPRING
REPLACES: Honda

GX35

MOQ: 100


Antanker No.	OEM No.	Model
AT505-HD35-00	28422-ZM3-003	GX35

STARTER SPRING
REPLACES: Yamaha

ET950

MOQ: 100


Antanker No.	OEM No.	Model
AT505-YMH950-00	7CE-E5713-00	ET950

RATCHET
REPLACES: Honda

GX120 GX160

GX200 GX240

GX270 GX340

GX390

MOQ: 100

(steel plate)

Antanker No.	OEM No.	Model
AT504-HD120-02	28422-ZE1-003	GX120
AT504-HD160-02	28422-ZE1-003	GX160
AT504-HD200-02	28422-ZE1-003	GX200
AT504-HD240-02	28422-ZE2-W01	GX240
AT504-HD270-02	28422-ZE2-W01	GX270
AT504-HD340-02	28422-ZE2-W01	GX340
AT504-HD390-02	28422-ZE2-W01	GX390

STARTER REWIND SPRING

REPLACES: Wacker
WM80
MOQ: 100



Antanker No.	OEM No.	Model
AT505-WM80-00	48061	WM80

RECOIL STARTER PULLEY

REPLACES: Honda
GX240 GX270
GX340 GX390
MOQ: 50



(With Steel rod ratchet)

Antanker No.	OEM No.	Model
AT506-HD240-01	28451-ZE2-W01	GX240
AT506-HD270-01	28451-ZE2-W01	GX270
AT506-HD340-01	28451-ZE3-W01	GX340
AT506-HD390-01	28451-ZE3-W01	GX390

STARTER SPRING

REPLACES: Honda
G100
MOQ: 100



Antanker No.	OEM No.	Model
AT505-HDG100-00	28442-ZE6-003	G100

STARTER SPRING

REPLACES: Honda
GX100
MOQ: 100



Antanker No.	OEM No.	Model
AT505-HD100-00	28442-ZH8-003	GX100

STARTER PULLEY COMP.

REPLACES: Honda
GXV160
MOQ: 50



Antanker No.	OEM No.	Model
AT506-HDXV160-00	28450-Z1V-000	GXV160

RECOIL STARTER SPRING

REPLACES: Honda
GX120 GX160
GX200 GX240
GX270 GX340
GX390
MOQ: 100



Antanker No.	OEM No.	Model
AT505-HD120-00	28442-ZH8-003	GX120
AT505-HD160-00	28442-ZH8-003	GX160
AT505-HD200-00	28442-ZH8-003	GX200
AT505-HD240-00	28442-ZE2-W01	GX240
AT505-HD270-00	28442-ZE2-W01	GX270
AT505-HD340-00	28442-ZE2-W01	GX340
AT505-HD390-00	28442-ZE2-W01	GX390

STARTER SPRING

REPLACES: Yanmar
L48 L70 L100
MOQ: 100



Antanker No.	OEM No.	Model
AT505-YM170-00	160260-76540	L48
AT505-YM178-00	160840-76540	L70
AT505-YM186-00	114650-76540	L100

STARTER SPRING

REPLACES: Robin
EH12
MOQ: 100



Antanker No.	OEM No.	Model
AT505-RBH12-00		EH12

RECOIL STARTER PULLEY

REPLACES: Honda
GX100
MOQ: 50



(With steel plate ratchet)

Antanker No.	OEM No.	Model
AT506-HD100-02	28451-Z0D-V02	GX100

STARTER PULLEY

REPLACES: Robin
EY20
MOQ: 50



(High)

Antanker No.	OEM No.	Model
AT506-RBY20-00	227-50149-18	EY20

STARTER PULLEY

REPLACES: Robin
EH12
MOQ: 50



(With steel plate ratchet)

Antanker No.	OEM No.	Model
AT506-RBH12-00	268-50145-08	EH12

STARTER PULLEY

REPLACES: Yanmar
L100
MOQ: 50



Antanker No.	OEM No.	Model
AT506-YM186-00	114660-76590	L100

STARTER GRIP

REPLACES: Honda
GX240 GX270
GX340 GX390
MOQ: 100



Antanker No.	OEM No.	Model
AT507-HD240-00	28461-ZE2-W02	GX240
AT507-HD270-00	28461-ZE2-W02	GX270
AT507-HD340-00	28461-ZE2-W02	GX340
AT507-HD390-00	28461-ZE2-W02	GX390

STARTER GRIP

REPLACES: Honda
GXV 140 GXV 160
MOQ: 100



(Straight insert)

Antanker No.	OEM No.	Model
AT507-HDXV 140-01	28461-ZE6-T02	GXV 140
AT507-HDXV 160-01	28461-ZE6-T02	GXV 160

RECOIL STARTER PULLEY

REPLACES: Honda
GX120 GX160
GX200
MOQ: 50



(With Steel rod ratchet)

Antanker No.	OEM No.	Model
AT506-HD120-01	28451-ZE0-003	GX120
AT506-HD160-01	28451-ZH8-003	GX160
AT506-HD200-01	28451-ZH8-003	GX200

STARTER PULLEY COMP.

REPLACES: Honda
GX35
MOQ: 50



Antanker No.	OEM No.	Model
AT506-HD35-00	28451-Z0H-003	GX35

RECOIL STARTER PULLEY

REPLACES: Honda
GX120 GX160
GX200 GX240
GX270 GX340
GX390
MOQ: 50



(With steel plate ratchet)

Antanker No.	OEM No.	Model
AT506-HD120-02	28451-ZE0-003	GX120
AT506-HD160-02	28451-ZH8-003	GX160
AT506-HD200-02	28451-ZH8-003	GX200
AT506-HD240-02	28451-ZE2-W01	GX240
AT506-HD270-02	28451-ZE2-W01	GX270
AT506-HD340-02	28451-ZE3-W01	GX340
AT506-HD390-02	28451-ZE3-W01	GX390

STARTER PULLEY

REPLACES: Robin
EY20
MOQ: 50



(Low)

Antanker No.	OEM No.	Model
AT506-RBY20-01	227-50149-18	EY20

STARTER HANDLE

REPLACES: Robin
EY20

MOQ: 100



Antanker No.	OEM No.	Model
AT507-RBY20-00	226-50100-08	EY20

RECOIL STARTER ROPE

REPLACES: Honda

GX120 GX160

GX200

MOQ: 100



(1.20m)

Antanker No.	OEM No.	Model
AT508-HD120-00	28462-ZH8-003	GX120
AT508-HD160-00	28462-ZH8-003	GX160
AT508-HD200-00	28462-ZH8-003	GX200

STARTER STRING

REPLACES: Yamaha

ET950

MOQ: 100



Antanker No.	OEM No.	Model
AT508-YMH950-00	7CE-E5751-00	ET950

FAN COVER COMPONENT

REPLACES: Honda

GX120 GX160

GX200

MOQ: 50



Antanker No.	OEM No.	Model
AT509-HD120-00	19610-ZB0-610ZD	GX120
AT509-HD160-00	19610-ZB2-601ZE	GX160
AT509-HD200-00	19610-ZL0-000ZB	GX200

FAN COVER COMPONENT

REPLACES: Honda

G100

MOQ: 50



Antanker No.	OEM No.	Model
AT509-HDG100-00	19610-ZG0-W20ZB	G100

STARTER PULLEY

REPLACES: Yanmar
L48 L70

MOQ: 50



Antanker No.	OEM No.	Model
AT506-YM170-00	114250-76590	L48
AT506-YM178-00	114350-76590	L70

STARTER GRIP

REPLACES: Honda

GX120 GX160

GX200

MOQ: 100



Antanker No.	OEM No.	Model
AT507-HD120-00	28461-ZH8-003	GX120
AT507-HD160-00	28461-ZH8-003	GX160
AT507-HD200-00	28461-ZH8-003	GX200

STARTER GRIP

REPLACES: Honda

GXV140 GXV160

MOQ: 100



(Bowed shaped)

Antanker No.	OEM No.	Model
AT507-HDXV140-00	28461-ZE7-T00	GXV140
AT507-HDXV160-00	28461-ZE7-T00	GXV160

STARTER HANDLE

REPLACES: Yamaha

ET950

MOQ: 100



Antanker No.	OEM No.	Model
AT507-YMH950-00	7CE-E5755-00	ET950

FAN COVER COMPONENT

REPLACES: Honda

GXV160

MOQ: 50



Antanker No.	OEM No.	Model
AT509-HDXV160-00	19610-Z1V-000ZA	GXV160

BLOWER HOUSING

REPLACES: Robin
EY20
MOQ: 50



(Yellow)

Antanker No.	OEM No.	Model
AT509-RBY20-00	227-51304-06	EY20

FAN COVER COMPONENT

REPLACES: Honda
GX100
MOQ: 50



Antanker No.	OEM No.	Model
AT509-HD100-00	19610-Z0D-V00ZB	GX100

BLOWER HOUSING

REPLACES: Robin
EH12
MOQ: 50



Antanker No.	OEM No.	Model
AT509-RBH12-00	252-51612-01	EH12

BLOWER HOUSING

REPLACES: Robin
EH12
MOQ: 50



Antanker No.	OEM No.	Model
AT509-RBH12-01	252-51612-01	EH12

SIDE PLATE

REPLACES: Honda
GX160 GX200
MOQ: 100



(Flywheel side cover, STATER MOTOR)

Antanker No.	OEM No.	Model
AT510-HD160-01	19612-ZH8-840	GX160
AT510-HD200-01	19612-ZH8-840	GX200

STARTER KNOB

REPLACES: Yanmar
L48 L70 L100
MOQ: 100



Antanker No.	OEM No.	Model
AT507-YM170-00	160260-76620	L48
AT507-YM178-00	160810-76620	L70
AT507-YM186-00	160910-76620	L100

RECOIL STARTER ROPE

REPLACES: Honda
GX240 GX270
GX340 GX390
MOQ: 100



(1.50m)

Antanker No.	OEM No.	Model
AT508-HD240-00	28462-ZE2-W01	GX240
AT508-HD270-00	28462-ZE2-W01	GX270
AT508-HD340-00	28462-ZE3-W01	GX340
AT508-HD390-00	28462-ZE3-W01	GX390

FAN COVER COMPONENT

REPLACES: Honda
GX240 GX270
GX340 GX390
MOQ: 50



Antanker No.	OEM No.	Model
AT509-HD240-00	19610-ZE2-010ZL	GX240
AT509-HD270-00	19610-ZE2-010ZL	GX270
AT509-HD340-00	19610-ZE3-010ZL	GX340
AT509-HD390-00	19610-ZE3-010ZL	GX390

SIDE PLATE

REPLACES: Honda
GX120 GX160
GX200
MOQ: 100



(Flywheel side cover, STD)

Antanker No.	OEM No.	Model
AT510-HD120-00	19612-ZH7-000	GX120
AT510-HD160-00	19612-ZH8-000	GX160
AT510-HD200-00	19612-ZH8-821	GX200

IGNITION

GROUP

FLYWHEEL COMP

REPLACES: Honda

GX120 GX160 GX200
GX240 GX270
GX340 GX390

MOQ: 10



(Manual Start)

Antanker No.	OEM No.	Model
AT601-HD120-00	31100-ZE0-010	GX120
AT601-HD160-00	31100-ZE1-010	GX160
AT601-HD200-00	31100-ZE7-010	GX200
AT601-HD240-00	31100-ZE2-010	GX240
AT601-HD270-00	31100-ZE2-010	GX270
AT601-HD340-00	31100-ZE3-701	GX340
AT601-HD390-00	31100-ZE3-701	GX390

FLYWHEEL COMP

REPLACES: Honda

GX160 GX200 GX240
GX270 GX340 GX390

MOQ: 10



(Electric Start)

Antanker No.	OEM No.	Model
AT601-HD160-01	31100-ZE1-821	GX160
AT601-HD200-01	31110-ZL0-821	GX200
AT601-HD240-01	31100-ZE2-822	GX240
AT601-HD270-01	31100-ZE2-822	GX270
AT601-HD340-01	31100-ZE3-W00	GX340
AT601-HD390-01	31100-ZE3-W01	GX390

FLYWHEEL COMP

REPLACES: Honda

GX25

MOQ: 10



(Manual Start)

Antanker No.	OEM No.	Model
AT601-HD25-00	31110-Z0H-003 31110-Z0H-810 31110-Z0H-811 31110-Z0H-821	GX25

FLYWHEEL COMP

REPLACES: Honda

GXV160

MOQ: 10



(Manual Start)

Antanker No.	OEM No.	Model
AT601-HDXV160-00	31110-Z1V-810	GXV160

FLYWHEEL COMP

REPLACES: Honda

GX100

MOQ: 10



(Manual Start)

Antanker No.	OEM No.	Model
AT601-HD100-00	31110-Z0D-003	GX100

FLYWHEEL COMP

REPLACES: Yanmar

L48 L70 L100

MOQ: 10



(Manual Start)

Antanker No.	OEM No.	Model
AT601-YM170-00	114780-21400	L48
AT601-YM178-00	114880-21400	L70
AT601-YM186-00	114660-21401	L100

FLYWHEEL COMP

REPLACES: Robin

EY20

MOQ: 10



(Manual Start)

Antanker No.	OEM No.	Model
AT601-RBY20-00	227-79230-01	EY20

FLYWHEEL COMP

REPLACES: Yanmar

L48 L70 L100

MOQ: 10



(Electric Start)

Antanker No.	OEM No.	Model
AT601-YM170-01		L48
AT601-YM178-01		L70
AT601-YM186-01		L100

FLYWHEEL COMP

REPLACES: Honda

G100

MOQ: 10



(Manual Start)

Antanker No.	OEM No.	Model
AT601-HDG100-00	19511-ZG0-W00	G100

ARMATURE FAN

REPLACES: Yamaha
ET950

MOQ: 10



Antanker No.	OEM No.	Model
AT602-YMH950-00	7CE-H5550-00	ET950

FAN COOLING

REPLACES: Honda
GX120 GX160 GX200
GX240 GX270
GX340 GX390

MOQ: 50



Antanker No.	OEM No.	Model
AT602-HD120-00	19511-ZE0-000	GX120
AT602-HD160-00	19511-ZE1-000	GX160
AT602-HD200-00	19511-ZE1-000	GX200
AT602-HD240-00	19511-ZE2-000	GX240
AT602-HD270-00	19511-ZE2-000	GX270
AT602-HD340-00	19511-ZE3-000	GX340
AT602-HD390-00	19511-ZE3-000	GX390

IGNITION COIL ASSY

REPLACES: Honda
GX100

MOQ: 50



Antanker No.	OEM No.	Model
AT603-HD100-00	30500-Z0D-V01	GX100

IGNITION COIL

REPLACES: Honda
GX160

MOQ: 50



(with steel spark plug cap)

Antanker No.	OEM No.	Model
AT603-HD160-01		GX160

IGNITION COIL ASSY

REPLACES: Honda
GX120 GX160 GX200
GX240 GX270
GX340 GX390

MOQ: 50



Antanker No.	OEM No.	Model
AT603-HD120-00	30500-ZE1-043	GX120
AT603-HD160-00	30500-ZE1-043	GX160
AT603-HD200-00	30500-ZE1-043	GX200
AT603-HD240-00	30500-ZF6-W02	GX240
AT603-HD270-00	30500-ZF6-W02	GX270
AT603-HD340-00	30500-ZE2-013	GX340
AT603-HD390-00	30500-ZE2-013	GX390

IGNITION COIL

REPLACES: Honda
GX340 GX390

MOQ: 50



(with steel spark plug cap)

Antanker No.	OEM No.	Model
AT603-HD340-01		GX340
AT603-HD390-01		GX390

IGNITION COIL

REPLACES: Honda
GX340 GX390

MOQ: 50



(with right angle spark plug cap)

Antanker No.	OEM No.	Model
AT603-HD340-01		GX340
AT603-HD390-01		GX390

IGNITION COIL ASSY

REPLACES: Honda
GXV160

MOQ: 50



Antanker No.	OEM No.	Model
AT603-HDXV120-00	30500-ZG9-M02	GXV120
AT603-HDXV140-00	30500-ZG9-M02	GXV140
AT603-HDXV160-00	30500-Z1V-003	GXV160

IGNITION COIL ASSY
REPLACES: Honda

GCV160

MOQ: 50


Antanker No.	OEM No.	Model
AT603-HDCV135-00	30500-ZL8-004	GCV135
AT603-HDCV160-00	30500-ZOL-821	GCV160
AT603-HDCV190-00	30500-ZOJ-003	GCV190

IGNITION COIL ASSY
REPLACES: Honda

G100

MOQ: 50


Antanker No.	OEM No.	Model
AT603-HDG100-00	30500-ZG0-W01	G100

IGNITION COIL ASSY
REPLACES: Honda

GX35

MOQ: 50


Antanker No.	OEM No.	Model
AT603-HD35-00	30500-ZOZ-003	GX35

IGNITION COIL ASSY
REPLACES: Honda

GX620 GX670

MOQ: 50


(Left side)

Antanker No.	OEM No.	Model
AT603-HD620-00	30500-ZJ1-841	GX620
AT603-HD670-00	30500-ZJ1-841	GX670

IGNITION COIL ASSY
REPLACES: Honda

GX25

MOQ: 50


Antanker No.	OEM No.	Model
AT603-HD25-00	30500-Z0H-013 30500-Z0H-023 30500-Z0H-801	GX25

IGNITION COIL
REPLACES: Honda

GX31

MOQ: 50


Antanker No.	OEM No.	Model
AT603-HD31-00		GX31

IGNITION COIL
REPLACES: Honda

GX50

MOQ: 50


Antanker No.	OEM No.	Model
AT603-HD50-00		GX50

IGNITION COIL ASSY
REPLACES: Honda

GX620 GX670

MOQ: 50


(Right side)

Antanker No.	OEM No.	Model
AT603-HD620-01	30550-ZJ1-841	GX620
AT603-HD670-01	30550-ZJ1-841	GX670

IGNITION COIL
REPLACES: Robin

EY20 EY15

EY18 EY28

MOQ: 50


Antanker No.	OEM No.	Model
AT603-RBY20-00	227-70132-08	EY20
AT603-RBY15-00	281-79401-01	EY15
AT603-RBY18-00		EY18
AT603-RBY28-00	234-70124-21	EY28

IGNITION COIL
REPLACES: Robin

EH12

MOQ: 50


Antanker No.	OEM No.	Model
AT603-RBH12-00	269-79430-01	EH12

IGNITION COIL

REPLACES: Robin

NB411

MOQ: 50



Antanker No.	OEM No.	Model
AT603-RBY411-00		NB411

IGNITION COIL

REPLACES: Robin

EH035

MOQ: 50



Antanker No.	OEM No.	Model
AT603-RBY035		EH035

IGNITION COIL

REPLACES: Robin

EH025

MOQ: 50



Antanker No.	OEM No.	Model
AT603-RBY025-00		EH025

IGNITION COIL

REPLACES: Kawasaki

TD40

MOQ: 50



Antanker No.	OEM No.	Model
AT603-KW40		TD40

IGNITION COIL

REPLACES: Robin

EX13 EX17 EX21

MOQ: 50



Antanker No.	OEM No.	Model
AT603-RBY13-00		EX13
AT603-RBY17-00		EX17
AT603-RBY21-00		EX21

IGNITION COIL

REPLACES: Mitsubishi

TL43

MOQ: 50



Antanker No.	OEM No.	Model
AT603-MSB43-00		TL43

IGNITION COIL

REPLACES: Tanaka

SUM328

MOQ: 50



Antanker No.	OEM No.	Model
AT603-TN328		SUM328

IGNITION COIL

REPLACES: Mitsubishi

TL52

MOQ: 50



Antanker No.	OEM No.	Model
AT603-MSB52-00		TL52

IGNITION COIL

REPLACES: Tanaka

SUM328

MOQ: 50



Antanker No.	OEM No.	Model
AT603-TN328		SUM328

IGNITION COIL

REPLACES: Mitsubishi

T200

MOQ: 50



Antanker No.	OEM No.	Model
AT603-MSB200-00		T200

IGNITION COIL

REPLACES: Mitsubishi

TL33

MOQ: 50



Antanker No.	OEM No.	Model
AT603-MSB33-00		TL33

IGNITOR

REPLACES: Yamaha

MZ360 EF5200

EF6200 EF6600

MOQ: 50



Antanker No.	OEM No.	Model
AT603-YMH5200-00		EF5200
AT603-YMH6200-00		EF6200
AT603-YMH6600-00		EF6600
AT603-YMH360-00		MZ360

IGNITION COIL

REPLACES: Mitsubishi

TU26

MOQ: 50



Antanker No.	OEM No.	Model
AT603-MSB26-00		TU26

IGNITION COIL

REPLACES: Mitsubishi
BG382

MOQ: 50



Antanker No.	OEM No.	Model
AT603-MSB382-00		BG382

IGNITION COIL

REPLACES: Yamaha
MG110

MOQ: 50



Antanker No.	OEM No.	Model
AT603-YMH110-00		ET950

IGNITION COIL

REPLACES: Zenoah
3800

MOQ: 50



Antanker No.	OEM No.	Model
AT603-ZN3800-00	T2100-71300	3800

IGNITION COIL

REPLACES: Zenoah
6200

MOQ: 50



Antanker No.	OEM No.	Model
AT603-ZN6200-00	2616-71301	6200

IGNITION COIL

REPLACES: Zenoah
350

MOQ: 50



Antanker No.	OEM No.	Model
AT603-ZN350-00		350

IGNITION COIL

REPLACES: Zenoah
G4L

MOQ: 50



Antanker No.	OEM No.	Model
AT603-ZN4L-00		G4L

IGNITOR

REPLACES: Yamaha
MZ175 EF2600

MOQ: 50



Antanker No.	OEM No.	Model
AT603-YMH2600-00		EF2600
AT603-YMH175-00	7NJ-85640-00	MZ175

IGNITOR

REPLACES: Yamaha
ET950

MOQ: 50



Antanker No.	OEM No.	Model
AT603-YMH650-00		ET650
AT603-YMH950-00	7CE-H2310-00	ET950

IGNITION COIL

REPLACES: Zenoah
4500 5200 5800

MOQ: 50



Antanker No.	OEM No.	Model
AT603-ZN4500-00		4500
AT603-ZN5200-00	2880-71300	5200
AT603-ZN5800-00		5800

IGNITION COIL

REPLACES: Zenoah
G23

MOQ: 50



Antanker No.	OEM No.	Model
AT603-ZN23-00		G23

IGNITION COIL

REPLACES: Zenoah
G35L G45L

MOQ: 50



Antanker No.	OEM No.	Model
AT603-ZN35L-00		G35L
AT603-ZN45L-00		G45L

Ignition Coil and Flywheel

Speed: 1,000-10,000rpm
Tapered Bore Taper: 1:5



Antanker No.	Ignition Angle	Direction
AT603-1E31F	25°±2°/6000rpm	Left
AT603-1E33F		

Ignition Coil and Flywheel

Speed: 1,000-10,000rpm
Tapered Bore Taper: 1:5



Antanker No.	Ignition Angle	Direction
AT603-1E32F	25°±2°/6000rpm	Right

Ignition Coil and Flywheel

Speed: 1,000-10,000rpm
Tapered Bore Taper: 1:5



Antanker No.	Ignition Angle	Direction
AT603-YJ1E31FN	25°±2°/6000rpm	Left

Ignition Coil and Flywheel

Speed: 1,000-10,000rpm
Tapered Bore Taper: 1:5



Antanker No.	Ignition Angle	Direction
AT603-1E32FL	25°±2°/6000rpm	Right

Ignition Coil and Flywheel

Speed: 1,000-10,000rpm
Tapered Bore Taper: 1:5



Antanker No.	Ignition Angle	Direction
AT603-1E34F	25°±2°/6000rpm	Left

Ignition Coil and Flywheel

Speed: 1,000-15,000rpm
Tapered Bore Taper: 1:5



Antanker No.	Ignition Angle	Direction
AT603-1E34FCM	25°±2°/6000rpm	Right

Ignition Coil and Flywheel

Speed: 800-10,000rpm
Tapered Bore Taper: 1:5



Antanker No.	Ignition Angle	Direction
AT603-1E34F-2	30°±2°/7000rpm	Left

Ignition Coil and Flywheel

Speed: 1,000-12,000rpm
Tapered Bore Taper: 1:5



Antanker No.	Ignition Angle	Direction
AT603-1E34F-2E	29°±2°/7000rpm	Left

Ignition Coil and Flywheel

Speed: 500-8,500rpm
Tapered Bore Taper: 1:5



Antanker No.	Ignition Angle	Direction
AT603-1E34S	25°±2°/6000rpm	Right

Ignition Coil and Flywheel

Speed: 1,000-10,000rpm
Tapered Bore Taper: 1:5



Antanker No.	Ignition Angle	Direction
AT603-1E34F-2E	25°±2°/6000rpm	Left

Ignition Coil and Flywheel

Speed: 1,000-10,000rpm
Tapered Bore Taper: 1:5



Antanker No.	Ignition Angle	Direction
AT603-1E36F-2	25°±2°/6000rpm	Left

Ignition Coil and Flywheel

Speed: 1,000-10,000rpm
Tapered Bore Taper: 1:5



Antanker No.	Ignition Angle	Direction
AT603-1E36F-2E	29°±2°	Left

Ignition Coil and Flywheel

Speed: 1,000-10,000rpm
Tapered Bore Taper: 1:5



Antanker No.	Ignition Angle	Direction
AT603-1E37F	30°±2°/6000rpm	Left

Ignition Coil and Flywheel

Speed: 500-8,500rpm
Tapered Bore Taper: 1:10



Antanker No.	Ignition Angle	Direction
AT603-1E40FA	23°±2°/6000rpm	Right

Ignition Coil and Flywheel

Speed: 1,000-9,000rpm
Tapered Bore Taper: 1:5



Antanker No.	Ignition Angle	Direction
AT603-1E40F-E	26°±2°/6000rpm	Left

Ignition Coil and Flywheel

Speed: 1,000-10,000rpm
Tapered Bore Taper: 1:5



Antanker No.	Ignition Angle	Direction
AT603-1E40F-3C	28°±2°/7000rpm	Right

Ignition Coil and Flywheel

Speed: 1,000-10,000rpm
Tapered Bore Taper: 1:5



Antanker No.	Ignition Angle	Direction
AT603-1E40FP-3Z	28°±2°/6000rpm	Left

Ignition Coil and Flywheel

Speed: 1,000-10,000rpm
Tapered Bore Taper: 1:5



Antanker No.	Ignition Angle	Direction
AT603-1E40F-5	25°±2°/6000rpm	Left

Ignition Coil and Flywheel

Speed: 500-8,500rpm
Tapered Bore Taper: 1:5



Antanker No.	Ignition Angle	Direction
AT603-1E40F-6	28°±2°/6000rpm	Right

Ignition Coil and Flywheel

Speed: 1,000-12,000rpm
Tapered Bore Taper: 1:5



Antanker No.	Ignition Angle	Direction
AT603-1E40F-7	25°±2°/6000rpm	Left

Ignition Coil and Flywheel

Speed: 1,000-10,000rpm
Tapered Bore Taper: 1:5



Antanker No.	Ignition Angle	Direction
AT603-1E44F	25°±2°/6000rpm	Left

Ignition Coil and Flywheel

Speed: 1,000-10,000rpm
Tapered Bore Taper: 1:5



Antanker No.	Ignition Angle	Direction
AT603-1E46F-3	25°±2°/6000rpm	Left

Ignition Coil and Flywheel

Speed: 1,000-10,000rpm

Tapered Bore Taper: 1:5



Antanker No.	Ignition Angle	Direction
AT603-1E46FP	25°±2°/6000rpm	Left

Ignition Coil and Flywheel

Speed: 1,000-10,000rpm

Tapered Bore Taper: 1:5



Antanker No.	Ignition Angle	Direction
AT603-1E47F	25°±2°/6000rpm	Left

Ignition Coil and Flywheel

Speed: 1,000-8,000rpm

Tapered Bore Taper: 1:5



Antanker No.	Ignition Angle	Direction
AT603-1E50FW	24°±2°/6000rpm	Right

Ignition Coil and Flywheel

Speed: 1,000-10,000rpm

Tapered Bore Taper: 1:5



Antanker No.	Ignition Angle	Direction
AT603-1E54FP	25°±2°/6000rpm	Left

Ignition Coil and Flywheel

Speed: 1,000-10,000rpm

Tapered Bore Taper: 1:5



Antanker No.	Ignition Angle	Direction
AT603-CG400	27°±2°/6000rpm	Right

Ignition Coil and Flywheel

Speed: 1,000-10,000rpm

Tapered Bore Taper: 1:5



Antanker No.	Ignition Angle	Direction
AT603-135F	28°±2°	Left

Ignition Coil and Flywheel

Speed: 1,000-10,000rpm

Tapered Bore Taper: 1:5



Antanker No.	Ignition Angle	Direction
AT603-139F-2	25°±2°/6000rpm	Left

Ignition Coil and Flywheel

Speed: 1,000-10,000rpm

Tapered Bore Taper: 1:5



Antanker No.	Ignition Angle	Direction
AT603-142F	25°±2°/6000rpm	Right

Ignition Coil and Flywheel

Speed: 1,000-10,000rpm

Tapered Bore Taper: 1:5



Antanker No.	Ignition Angle	Direction
AT603-139F	25°±2°/6000rpm	Left

IGNITION GROUP

IGNITION COIL

REPLACES: Wacker

WM80

MOQ: 500



Antanker No.	OEM No.	Model
AT603-WM80-00	0049598	WM80

IGNITION COIL

REPLACES:

152F

MOQ: 50



Antanker No.	OEM No.	Model
AT603-MSB152-00		154F

IGNITION COIL

REPLACES: Kohler

12 584 05-S 12 584 01

12 584 01-S CH11 CH12

CH13 CH14 CH15

MOQ: 50



Antanker No.	OEM No.	Model
AT603-KL1258405-S		1258405-S
AT603-KL12584-01		1258401
AT603-KL128401-S		1258401-S
AT603-KLCH11-00		CH11
AT603-KLCH12-00		CH12
AT603-KLCH13-00		CH13
AT603-KLCH14-00		CH14
AT603-KLCH15-00		CH15

IGNITION COIL

REPLACES: Mitsubishi

154F

MOQ: 50



Antanker No.	OEM No.	Model
AT603-MSB154-00		154F

IGNITION COIL

REPLACES: Solo

423

MOQ: 50



Antanker No.	OEM No.	Model
AT603-SL423-00		423

IGNITION COIL

REPLACES: Briggs & Stratton

394891 392329 590781

MOQ: 50



Antanker No.	OEM No.	Model
AT603-BS394891		394891
AT603-392329		392329
AT603-590781		590781

IGNITION COIL

REPLACES: Briggs & Stratton

591420 398593 496914

793281 793295

MOQ: 50



Antanker No.	OEM No.	Model
AT603-BS591420		591420
AT603-BS398593		398593
AT603-BS496914		496914
AT603-BS793281		793281
AT603-BS793295		793295

IGNITION COIL

REPLACES: Briggs & Stratton

691060

MOQ: 50



Antanker No.	OEM No.	Model
AT603-BS691060		691060

IGNITION COIL

REPLACES: Briggs & Stratton

398811 395492

398265 395326

MOQ: 50



Antanker No.	OEM No.	Model
AT603-BS398811		398811
AT603-BS395492		395492
AT603-398265		398265
AT603-395326		395326

IGNITION COIL

REPLACES: Briggs & Stratton

794854 796964

MOQ: 50



Antanker No.	OEM No.	Model
AT603-BS794854		794854
AT603-BS796964		796964

IGNITION GROUP

IGNITION COIL

REPLACES: Briggs& Stratton

798534

MOQ: 500



Antanker No.	OEM No.	Model
AT603-BS798534		798534

IGNITION COIL

REPLACES: Briggs& Stratton

797040

MOQ: 50



Antanker No.	OEM No.	Model
AT603-BS797040		797040

IGNITION COIL

REPLACES: Briggs& Stratton

816464

MOQ: 50



Antanker No.	OEM No.	Model
AT603-BS816464		816464

IGNITION COIL

REPLACES: Briggs& Stratton

843931

MOQ: 50



Antanker No.	OEM No.	Model
AT603-BS843931		843931

IGNITION COIL

REPLACES: Briggs& Stratton

845126 843327

MOQ: 500



Antanker No.	OEM No.	Model
AT603-BS845126		845126
AT603-BS843327		843327

IGNITION COIL

REPLACES: Briggs& Stratton

490586 491312

492341 495859

MOQ: 50



Antanker No.	OEM No.	Model
AT603-BS490586		490586
AT603-BS491312		491312
AT603-BS492341		492341
AT603-BS495859		495859

SPARK PLUG

REPLACES: Honda

GX35

MOQ: 100



Antanker No.	OEM No.	Model
AT604-HD35-00	31914-Z0H-003	GX35
	31914-Z0H-801	
	31915-Z0H-003	
	31915-Z0H-801	
	31916-Z0H-003	
	31916-Z0H-801	

SPARK PLUG

REPLACES: Honda

GX120 GX160 GX200

GX240 GX270 GX340

GX390 GX620 GX670

GXV160

MOQ: 100



Antanker No.	OEM No.	Model
AT604-HD120-00	98079-55846	GX120
AT604-HD160-00	98079-55846	GX160
AT604-HD200-00	98079-55846	GX200
AT604-HD240-00	98079-55846	GX240
AT604-HD270-00	98079-55846	GX270
AT604-HD340-00	98079-55846	GX340
AT604-HD390-00	98079-55846	GX390
AT604-HD620-00	98079-55846	GX620
AT604-HD670-00	98079-5585V	GX670
AT604-HDXV160-00	98079-55846	GXV160

SPARK PLUG

REPLACES: Honda

GX100

MOQ: 100



Antanker No.	OEM No.	Model
AT604-HD100-00	98056-55757	GX100

SPARK PLUG

REPLACES: Honda

GCV160

MOQ: 100



Antanker No.	OEM No.	Model
AT604-HDCV160-00	98079-56846	GCV160

SPARK PLUG

REPLACES: Robin

EY20

MOQ: 100



Antanker No.	OEM No.	Model
AT604-RBY20-00	065-01410-30	EY20

SPARK PLUG

REPLACES: Robin

EH12

MOQ: 200



Antanker No.	OEM No.	Model
AT604-RBH12-00	065-01401-00	EH12

NOISE SUPPRESSOR CAP ASSY

REPLACES: Honda

GX620 GX670

MOQ: 100



Antanker No.	OEM No.	Model
AT605-HD620-00	30700-ZJ1-841	GX620
AT605-HD670-00	30700-ZJ1-841	GX670

ENGINE STOP SWITCH ASSY

REPLACES: Robin

EX27

MOQ: 100



(Single cable, Original)

Antanker No.	OEM No.	Model
AT606-RBX27-00	066-00003-71	EX27

NOISE SUPPRESSOR CAP ASSY

REPLACES: Honda

GX120 GX160 GX200

GX240 GX270 GX340

GX390 GXV160

MOQ: 100



Antanker No.	OEM No.	Model
AT605-HD120-00	30700-ZE1-013	GX120
AT605-HD160-00	30700-ZE1-013	GX160
AT605-HD200-00	30700-ZE1-013	GX200
AT605-HD240-00	30700-ZE1-013	GX240
AT605-HD270-00	30700-ZE1-013	GX270
AT605-HD340-00	30700-ZE1-013	GX340
AT605-HD390-00	30700-ZE1-013	GX390
AT605-HDXV160-00	30700-Z1V-003	GXV160

ENGINE STOP SWITCH ASSY

REPLACES: Honda

GX120 GX160 GX200

GX240 GX270

GX340 GX390

MOQ: 100



(With zero line)

Antanker No.	OEM No.	Model
AT606-HD120-02	36100-ZH7-003	GX120
AT606-HD160-02	36100-ZH7-003	GX160
AT606-HD200-02	36100-ZE1-015	GX200
AT606-HD240-02	36100-ZE1-015	GX240
AT606-HD270-02	36100-ZE1-015	GX270
AT606-HD340-02	36100-ZE1-015	GX340
AT606-HD390-02	36100-ZE1-015	GX390

STOP BUTTON

REPLACES: Robin

EY20 EY28 EH12

MOQ: 100



Antanker No.	OEM No.	Model
AT606-RBY20-00	066-00003-71	EY20
AT606-RBY28-00	066-00003-71	EY28
AT606-RBH12-00	066-00003-71	EH12

ENGINE STOP SWITCH ASSY
REPLACES: Honda

 GX120 GX160 GX200
 GX240 GX270
 GX340 GX390

MOQ: 100

(Single cable)

Antanker No.	OEM No.	Model
AT606-HD120-01	36100-ZH7-003	GX120
AT606-HD160-01	36100-ZH7-003	GX160
AT606-HD200-01	36100-ZE1-015	GX200
AT606-HD240-01	36100-ZE1-015	GX240
AT606-HD270-01	36100-ZE1-015	GX270
AT606-HD340-01	36100-ZE1-015	GX340
AT606-HD390-01	36100-ZE1-015	GX390

ENGINE STOP SWITCH ASSY
REPLACES: Honda

 GX120 GX160 GX200
 GX240 GX270
 GX340 GX390

MOQ: 100

(Double cable)

Antanker No.	OEM No.	Model
AT606-HD120-00	36100-ZH7-003	GX120
AT606-HD160-00	36100-ZH7-003	GX160
AT606-HD200-00	36100-ZE1-015	GX200
AT606-HD240-00	36100-ZE1-015	GX240
AT606-HD270-00	36100-ZE1-015	GX270
AT606-HD340-00	36100-ZE1-015	GX340
AT606-HD390-00	36100-ZE1-015	GX390

STARTER MOTOR ASSY
REPLACES: Honda

 GX610 GXV610
 GX620 GXV620
 GX670

MOQ: 20

(Include Relay)

Antanker No.	OEM No.	Model
AT607-HD610-00	31200-ZJ1-004	GX610
AT607-HDXV610-00	31200-ZJ1-004	GXV610
AT607-HD620-00	31200-ZJ1-004	GX620
AT607-HDXV620-00	31200-ZJ1-004	GXV620
AT607-HD670-00	31200-ZJ1-841	GX670

START MOTOR
REPLACES: Yanmar

L48 L70 L100

MOQ: 20

(Include solenoid)

Antanker No.	OEM No.	Model
AT607-YM170-00	114362-77010	L48
AT607-YM178-00	114362-77010	L70
AT607-YM186-00	114362-77010	L100

START MOTOR
REPLACES: Kohler

2009808-S

MOQ: 20


Antanker No.	OEM No.	Model
AT607-KL2009808-S	2009808-S	2009808-S

STARTER MOTOR UNIT
REPLACES: Honda

 GX160 GX200
 GX240 GX270
 GX340 GX390

MOQ: 20

(Include Relay)

Antanker No.	OEM No.	Model
AT607-HD160-00	31210-ZE1-023	GX160
AT607-HD200-00	31210-ZE1-723	GX200
AT607-HD240-00	31210-ZE2-003	GX240
AT607-HD270-00	31200-ZH9-003	GX270
AT607-HD340-00	31210-ZE3-013	GX340
AT607-HD390-00	31210-ZE3-013	GX390

STARTER MOTOR RELAY

REPLACES: Honda

GX160 GX200

GX240 GX270

GX340 GX390

MOQ: 100



Antanker No.	OEM No.	Model
AT608-HD160-00	31204-ZE1-003	GX160
AT608-HD200-00	31204-ZE1-003	GX200
AT608-HD240-00	31202-ZA0-003	GX240
AT608-HD270-00	31202-ZA1-003	GX270
AT608-HD340-00	31202-ZA0-003	GX340
AT608-HD390-00	31204-ZG4-801	GX390

CONTROL BOX ASSY

REPLACES: Honda

GX160 GX200

GX240 GX270

GX340 GX390

MOQ: 50



Antanker No.	OEM No.	Model
AT609-HD160-00	31610-ZE1-013ZD	GX160
AT609-HD200-00	31610-ZE1-834ZB	GX200
AT609-HD240-00	31610-ZE2-013ZB	GX240
AT609-HD270-00	31610-ZE2-013ZB	GX270
AT609-HD340-00	31610-ZE3-W11ZB	GX340
AT609-HD390-00	31610-ZE3-W13ZE	GX390

HIGH VOLTAGE SET

REPLACES: Yamaha

ET950

MOQ: 50



Antanker No.	OEM No.	Model
AT612-YMH950-00	7CE-H5521-00	ET950

LAMP COIL ASSY.

REPLACES: Honda

GX120 GX160 GX200

GX240 GX270

GX340 GX390

MOQ: 50



Antanker No.	OEM No.	Model
AT610-HD120-00	31510-ZE1-811	GX120
AT610-HD160-00	31510-ZE1-811	GX160
AT610-HD200-00	31510-ZE1-811	GX200
AT610-HD240-00	31510-ZE3-003	GX240
AT610-HD270-00	31510-ZE3-003	GX270
AT610-HD340-00	31510-ZE3-003	GX340
AT610-HD390-00	31510-ZE3-003	GX390

CHARGE COIL ASSY

REPLACES: Honda

GX160 GX200 GX240

GX270 GX340 GX390

MOQ: 50



(Single)

Antanker No.	OEM No.	Model
AT610-HD160-10	31630-ZE1-003	GX160
AT610-HD200-10	31630-ZE1-003	GX200
AT610-HD240-10	31630-ZE1-003	GX240
AT610-HD270-10	31630-ZE1-003	GX270
AT610-HD340-10	31630-ZE1-003	GX340
AT610-HD390-10	31630-ZE1-003	GX390

OIL ALERT UNIT

REPLACES: Honda

GX160 GX200

GX240 GX270

GX340 GX390

MOQ: 100



Antanker No.	OEM No.	Model
AT611-HD120-00	34150-ZH7-003	GX120
AT611-HD160-00	34150-ZH7-003	GX160
AT611-HD200-00	34150-ZH7-003	GX200
AT611-HD240-00	34150-ZH7-003	GX240
AT611-HD270-00	34150-ZH7-003	GX270
AT611-HD340-00	34150-ZH7-003	GX340
AT611-HD390-00	34150-ZH7-003	GX390

SPECIAL WOODRUFF KEY
REPLACES: Honda

GX120 GX160 GX200

GX240 GX270

GX340 GX390

MOQ: 100

25*18

Antanker No.	OEM No.	Model
AT613-HD120-00	13331-357-000	GX120
AT613-HD160-00	13331-357-000	GX160
AT613-HD200-00	13331-357-000	GX200
AT613-HD240-00	90741-ZE2-000	GX240
AT613-HD270-00	90741-ZE2-000	GX270
AT613-HD340-00	90741-ZE2-000	GX340
AT613-HD390-00	90741-ZE2-000	GX390

STOP SWITCH CORD
REPLACES: Honda

GX25

MOQ: 100


Antanker No.	OEM No.	Model
AT615-HD25-00	32195-Z0H-000 32195-Z0H-8003	GX25

FLYWHEEL NUT
REPLACES: Honda

GX120 GX160

GX200

MOQ: 100

14mm

Antanker No.	OEM No.	Model
AT616-HD120-00	90201-878-003	GX120
AT616-HD160-00	90201-878-003	GX160
AT616-HD200-00	90201-878-003	GX200

MAGNETO
REPLACES: Yamaha

ET950

MOQ: 50


Antanker No.	OEM No.	Model
AT613-YMH950-00	7CE-H5540-00	ET950

DYNAMO ASSY
REPLACES: Yanmar

L48 L70 L100

MOQ: 10


Antanker No.	OEM No.	Model
AT614-YM170-00	114351-78250	L48
AT614-YM178-00	114351-78250	L70
AT614-YM186-00	114351-78250	L100

STOP SWITCH CORD
REPLACES: Honda

GX35

MOQ: 100


Antanker No.	OEM No.	Model
AT615-HD35-00	32195-Z0Z-000	GX35

FLYWHEEL NUT
REPLACES: Honda

GX240 GX270

GX340 GX390

MOQ: 100

16mm

Antanker No.	OEM No.	Model
AT616-HD240-00	90201-ZE3-V00 90201-ZE3-790	GX240
AT616-HD270-00	90201-ZE3-V00 90201-ZE3-790	GX270
AT616-HD340-00	90201-ZE3-V00 90201-ZE3-790	GX340
AT616-HD390-00	90201-ZE3-V00 90201-ZE3-790	GX390

CARBURETOR GROUP

CARBURETOR
REPLACES: Honda

GX120 GX140

GX160 GX200

MOQ: 50


(With sediment cup)

Antanker No.	OEM No.	Model
AT701-HD120-00	16100-ZH7-W81	GX120
AT701-HD140-00	16100-ZE1-825	GX140
AT701-HD160-00	16100-ZH8-W41	GX160
AT701-HD200-00	16100-ZL0-000	GX200

CARBURETOR
REPLACES: Honda

GX240 GX270

GX340 GX390 GX440

MOQ: 50


(Without sediment cup)

Antanker No.	OEM No.	Model
AT701-HD240-00	16100-ZE2-W71	GX240
AT701-HD270-00	16100-ZH9-820	GX270
AT701-HD340-00	16100-ZE3-H61	GX340
AT701-HD390-00	16100-ZF6-V01	GX390
AT701-HD440-00	16100-Z2E-823	GX440

CARBURETOR
REPLACES: Honda

GX160

MOQ: 50


(For rammer machine)

Antanker No.	OEM No.	Model
AT701-HD160-30		GX160

CARBURETOR
REPLACES: Honda

GX240 GX270

GX340 GX390 GX440

MOQ: 50


(For generator, with choke)

Antanker No.	OEM No.	Model
AT701-HD240-11		GX240
AT701-HD270-11		GX270
AT701-HD340-11		GX340
AT701-HD390-11		GX390
AT701-HD440-11		GX440

CARBURETOR
REPLACES: Honda

GX160

MOQ: 50


(Without sediment cup)

Antanker No.	OEM No.	Model
AT701-HD160-01		GX160

CARBURETOR
REPLACES: Honda

GX240 GX270

GX340 GX390

MOQ: 50


(With sediment cup)

Antanker No.	OEM No.	Model
AT701-HD240-01		GX240
AT701-HD270-01		GX270
AT701-HD340-01		GX340
AT701-HD390-01		GX390

CARBURETOR
REPLACES: Honda

GX120 GX160

GX200

MOQ: 50


(For generator, with choke)

Antanker No.	OEM No.	Model
AT701-HD120-11		GX120
AT701-HD160-11		GX160
AT701-HD200-11		GX200

CARBURETOR
REPLACES: Honda

GX240 GX270

GX340 GX390

GX440

MOQ: 50


(For generator, without choke)

Antanker No.	OEM No.	Model
AT701-HD240-10		GX240
AT701-HD270-10		GX270
AT701-HD340-10		GX340
AT701-HD390-10		GX390
AT701-HD440-10		GX440

CARBURETOR
REPLACES: Honda

GX240 GX270

GX340 GX390

GX440

MOQ: 50


(For snow engine)

Antanker No.	OEM No.	Model
AT701-HD240-20		GX240
AT701-HD270-20		GX270
AT701-HD340-20		GX340
AT701-HD390-20		GX390
AT701-HD440-20		GX440

CARBURETOR ASSY.
REPLACES: Honda

GX25

MOQ: 50


Antanker No.	OEM No.	Model
AT701-HD25-00	16100-Z0H-033 16100-Z0H-825 16100-Z0H-861 16100-Z0H-043 16100-Z0H-862	GX25

CARBURETOR
REPLACES: Honda

GX31

MOQ: 50


Antanker No.	OEM No.	Model
AT701-HD31-00		GX31

CARBURETOR ASSY.
REPLACES: Honda

GX630 GX660

GX670 GX690

MOQ: 50


Antanker No.	OEM No.	Model
AT701-HD630-00	16100-Z9E-003	GX630
AT701-HD660-00	16100-Z8N-003	GX660
AT701-HD670-00	16100-ZN1-H03	GX670
AT701-HD690-00	16100-Z6L-003	GX690

CARBURETOR
REPLACES: Honda

GX100

MOQ: 50


(Rammer diaphragm Walbor type)

Antanker No.	OEM No.	Model
AT701-HD100-00	16100-Z0D-V02	GX100

CARBURETOR
REPLACES: Honda

GX100

MOQ: 50


(Float type)

Antanker No.	OEM No.	Model
AT701-HD100-01	16100-Z0D-003	GX100

CARBURETOR ASSY.
REPLACES: Honda

GX35

MOQ: 50


Antanker No.	OEM No.	Model
AT701-HD35-00	16100-Z0Z-004 16100-Z0Z-802 16100-Z0Z-812	GX35

CARBURETOR
REPLACES: Honda

GX620

MOQ: 50


Antanker No.	OEM No.	Model
AT701-HD610-00		GX610
AT701-HD620-00	16100-ZJ1-V10	GX620

CARBURETOR
REPLACES: Honda

G100

MOQ: 50


Antanker No.	OEM No.	Model
AT701-HDG100-00	16100-ZG0-W02	G100

CARBURETOR
REPLACES: Honda

G200

MOQ: 50


Antanker No.	OEM No.	Model
AT701-HDG200-00	16100-883-325	G200

CARBURETOR
REPLACES: Honda

GCV135 GCV160

MOQ: 50


Antanker No.	OEM No.	Model
AT701-HDCV135-00	16100-ZM1-013	GCV135
AT701-HDCV160-00	16100-ZM0-013	GCV160

CARBURETOR
REPLACES: Honda

GXV160

MOQ: 50


With sediment cup

Antanker No.	OEM No.	Model
AT701-HDXV160-00	16100-Z1V-003	GXV160

CARBURETOR
REPLACES: Honda

GXH50

MOQ: 50


Antanker No.	OEM No.	Model
AT701-HDXH50-00	16100-ZM7-617	GXH50

CARBURETOR
REPLACES: Robin

EY20 EY15

EY18 EY28

MOQ: 50


Antanker No.	OEM No.	Model
AT701-RBY20-00	227-62450-10	EY20
AT701-RBY15-00	226-62460-00	EY15
AT701-RBY18-00		EY18
AT701-RBY28-00	234-62551-00	EY28

CARBURETOR
REPLACES: Honda

G300

MOQ: 50


Antanker No.	OEM No.	Model
AT701-HDG300-00	16100-889-005	G300

CARBURETOR
REPLACES: Honda

GXV140

MOQ: 50


Antanker No.	OEM No.	Model
AT701-HDXV140-00	16100-ZG9-803	GXV140

CARBURETOR
REPLACES: Honda

GXV160

MOQ: 50


Without sediment cup

Antanker No.	OEM No.	Model
AT701-HDXV160-01		GXV160

CARBURETOR
REPLACES: Honda

ATC185 ATC200

MOQ: 50


Antanker No.	OEM No.	Model
AT701-HDATC185-00		ATC185 ATC200

CARBURETOR
REPLACES: Robin

EK18 EK20

MOQ: 50


Antanker No.	OEM No.	Model
AT701-RBK18-00		EK18
AT701-RBK20-00		EK20

CARBURETOR
REPLACES: Robin

EH12

MOQ: 50


Antanker No.	OEM No.	Model
AT701-RBH12-00	252-62531-20	EH12

CARBURETOR
REPLACES: Robin

EH12

MOQ: 50


Antanker No.	OEM No.	Model
AT701-RBH12-01	252-62454-10	EH12

CARBURETOR
REPLACES: Yamaha

MZ175

MOQ: 50


Antanker No.	OEM No.	Model
AT701-YMH-MZ175		MZ175

CARBURETOR
REPLACES: Yamaha

ET950

MOQ: 50


Antanker No.	OEM No.	Model
AT701-YMH950-00	7CE-E4101-00	ET950

CARBURETOR
REPLACES: Yamaha

MZ250

MOQ: 50


Antanker No.	OEM No.	Model
AT701-YMH-MZ250		MZ250

CARBURETOR
REPLACES: Yamaha

MZ300 MZ360

MOQ: 50


Antanker No.	OEM No.	Model
AT701-YMH-MZ300		MZ300 MZ360

CARBURETOR
REPLACES: Yamaha 1983 - 1989

G1

MOQ: 50


Antanker No.	OEM No.	Model
AT701-YMH-1983	J24-14101-01 J24-14101 17556	G1

CARBURETOR
REPLACES: Yamaha 1992-1997

FE290

MOQ: 50


Antanker No.	OEM No.	Model
AT701-YMH-1992	1016478	FE290

CARBURETOR
REPLACES: Yamah

G2 G5 G8 G9

MOQ: 50


Antanker No.	OEM No.	Model
AT701-YMH-G2	J381410102 J38-14101-02 17554	G2 G5 G8 G9

CARBURETOR
REPLACES: Yamaha (1996-2002)

G16 G18 G19

G20 G21 G22

MOQ: 50


Antanker No.	OEM No.	Model
AT701-YMH-1996	JN6-14101-10 JN6-14101-14 JN6-14101-15	G16 G18 G19 G20 G21 G22

CARBURETOR
REPLACES: Yamaha

1991 - Up

MOQ: 50


Antanker No.	OEM No.	Model
AT701-YMH-1991	72558-G02 26645-G01 26727-G01 26725-G01 17553	1991 - Up

CARBURETOR
REPLACES: Yamaha

G22

MOQ: 50


Antanker No.	OEM No.	Model
AT701-YMH-G22	JR6-14101-00	G22

CARBURETOR
REPLACES: Yamah

1996-2003

MOQ: 50


Antanker No.	OEM No.	Model
AT701-YMH-1996	72558-G05 17559	1996-2003

CARBURETOR
REPLACES: Yamaha 1996-2002

G16 G18 G19 G20 G21 G22

MOQ: 50


Antanker No.	OEM No.	Model
AT701-YMH-G16		G2
	JN6-14101-00	G5
	JN6-14101-10	G8
	JN6-14101-14	G8
	JN6-14101-15	G8
	JN6-13567-00	G9

CARBURETOR
REPLACES: Yamah

1998

MOQ: 50


Antanker No.	OEM No.	Model
AT701-YMH-1998	21740-G1 17558	1998

CARBURETOR
REPLACES: Yamaha

G22-G29

MOQ: 50


Antanker No.	OEM No.	Model
AT701-YMH-G22		G22-G29

CARBURETOR
REPLACES: YAMAHA

145F

MOQ: 50


Antanker No.	OEM No.	Model
AT701-YMH-145F		145F

CARBURETOR
REPLACES: YAMAHA

EF63 1E45F

MOQ: 50


Antanker No.	OEM No.	Model
AT701-YMH-1E45F		EF63 ,1E45F

FUEL INJECTION PUMP ASSY
REPLACES: Yanmar

L48 L70 L100

MOQ: 30


(Electric type)

Antanker No.	OEM No.	Model
AT701-YM170-10	714770-51740	L48
AT701-YM178-10	714770-51700	L70
AT701-YM186-10	714970-51700	L100

CARBURETOR
REPLACES: Wacker

WM80

MOQ: 50


(Tillotson Type)

Antanker No.	OEM No.	Model
AT701-WM80-00		WM80

FUEL INJECTION PUMP ASSY
REPLACES: Yanmar

L48 L70 L100

MOQ: 30


(Manual type , for engine)

Antanker No.	OEM No.	Model
AT701-YM170-00	714770-51740	L48
AT701-YM178-00	714770-51700	L70
AT701-YM186-00	714970-51700	L100

FUEL INJECTION PUMP ASSY
REPLACES: Yanmar

L48 L70 L100

MOQ: 30


(Manual type , for generator)

Antanker No.	OEM No.	Model
AT701-YM170-01	714770-51740	L48
AT701-YM178-01	714770-51700	L70
AT701-YM186-01	714970-51700	L100

CARBURETOR
REPLACES: Tecumseh

HMSK80 MSK90

MOQ: 50


Antanker No.	OEM No.	Model
AT701-TC64-00	640349	HMSK80
	640052	MSK90
	640054	

CARBURETOR
REPLACES: Tecumseh

OHV110 OHV115

OHV120 OHV125

OHV130 OHV135

MOQ: 50


Antanker No.	OEM No.	Model
AT701-TCS-OHV120	640065A 640065	OHV110
		OHV115
		OHV120
		OHV125
		OHV130
		OHV135

CARBURETOR
REPLACES: Tecumseh

OHV140 OHV170 OHV175

OHV180 OV490EA

MOQ: 50


Antanker No.	OEM No.	Model
AT701-TCS-OHV170	640330	OHV140
	640034	OHV170
	640159	OHV175
	640330A	OHV180
	640034A	OV490EA

CARBURETOR
REPLACES: Tecumseh

VLV55 VLXL50

VLV40 VLV50 VLV60

MOQ: 50


Antanker No.	OEM No.	Model
AT701-TCS-632614	632614 632671 632671B	VLV55
		VLXL50
		VLV40
		VLV50
		VLV60

CARBURETOR
REPLACES: Tecumseh

LEV110 LEV115 LEV120

MOQ: 50


Antanker No.	OEM No.	Model
AT701-TCS-640026	640069 640076	LEV110
	640026 640026A	LEV115
	640076A 640119	LEV120

CARBURETOR
REPLACES: Tecumseh

LEV105 LEV120

MOQ: 50


Antanker No.	OEM No.	Model
AT701-TCS-640350	640350	LEV105
	640271 640303	LEV120

CARBURETOR
REPLACES: Tecumseh

 VLV40 VLV50 VLV55
 VLV60 VLV65 VLV66 VLV126

MOQ: 50


Antanker No.	OEM No.	Model
AT701-TCS-640020	640020 640020A 640020B 640020C	VLV40
		VLV50
		VLV55
		VLV60
		VLV65
		VLV66
		VLV126

CARBURETOR
REPLACES: Tecumseh

LEV115 LEV120

MOQ: 50


Antanker No.	OEM No.	Model
AT701-TCS-640278	640278 640214	LEV115
	640278A 640149	LEV120

CARBURETOR
REPLACES: Tecumseh

TVS75 90 100 105 115

MOQ: 50


Antanker No.	OEM No.	Model
AT701-TCS-632795A	632795A	TVS75 90 100 TVS105 115

CARBURETOR
REPLACES: Tecumseh

OHH45 OHH50

MOQ: 50


Antanker No.	OEM No.	Model
AT701-TCS-640017	640017 640017A 640017B 640104	OHH45 OHH50

CARBURETOR
REPLACES: Tecumseh

 OH195EA OH195EP
 OH195XA OH195XP

MOQ: 50


Antanker No.	OEM No.	Model
AT701-TCS-640346	640346 640305	OH195EA
		OH195EP
		OH195XA
		OH195XP

CARBURETOR
REPLACES: Tecumseh

H30 H35

MOQ: 50


Antanker No.	OEM No.	Model
AT701-TCS-632615	632615 632208 632589	H30 H35

CARBURETOR
REPLACES: Tecumseh

 H50 H60
 HH60 HH70

MOQ: 50


Antanker No.	OEM No.	Model
AT701-TCS-631828	631828	H50
	631067	H60
	631067A	HH60
	632076	HH70
	632230 632272	HH70

CARBURETOR
REPLACES: Tecumseh

 OHH55
 OHH60 OHH65

MOQ: 50


Antanker No.	OEM No.	Model
AT701-TCS-640004	640004 640014 640025 640025A 640025B 640025C 640304	OHH50
		OHH55
		OHH60
		OHH65
		OHH195

CARBURETOR
REPLACES: Tecumseh

H70

H80

MOQ: 50


Antanker No.	OEM No.	Model
AT701-TCS-631793	631793	H70
	631440	H80

CARBURETOR
REPLACES: Tecumseh

HSK40 HSK50 HSSK40

HSSK50 HS50 LH195SA

MOQ: 50


Antanker No.	OEM No.	Model	
AT701-TCS-632107		HSK40	
		HSK50	
	632107A 632107		HSSK40
		640084A 640084B	HSSK40
		HS50	
		LH195SA	

CARBURETOR
REPLACES: Tecumseh

HM80 HM90 HM100

MOQ: 50


Antanker No.	OEM No.	Model
AT701-TCS-640260A	640260A	HM80
	640260B	HM90
		HM100

CARBURETOR
REPLACES: Tecumseh

HM70 HM80 HMSK80 HMSK90

MOQ: 50


Antanker No.	OEM No.	Model
AT701-TCS-632334A	632334A	HM70
	632334	HM80
	640349	HMSK80
	640052	
	640054	HMSK90

CARBURETOR
REPLACES: Tecumseh

OH195 OHH50

OHH55 OHH60 OHH65

MOQ: 50


Antanker No.	OEM No.	Model
AT701-TCS-640305	640305	OH195
	640340	OHH50
	640346	OHH55
	640306A	OHH60
	640222A	
	640060A	OHH65

CARBURETOR
REPLACES: Tecumseh

HS40 HSSK40 HSSK40

MOQ: 50


Antanker No.	OEM No.	Model
AT701-TCS-632113A		HS40
	632113A	HSSK40
	632113	HSSK40

CARBURETOR
REPLACES: Tecumseh

HM80 HM100

MOQ: 50


Antanker No.	OEM No.	Model
AT701-TCS-640152	640152	
	640152A	
	640023	HM80
	640051	HM100
	640140	

CARBURETOR
REPLACES: Tecumseh

OHSK70 OH195SA

MOQ: 50


Antanker No.	OEM No.	Model
AT701-TCS-640298	640298	OHSK70
		OH195SA

CARBURETOR
REPLACES: Tecumseh

H25 H30 H35

MOQ: 50


Antanker No.	OEM No.	Model
AT701-TCS-631921	631921	
	632284	H25
	631070	H30
	631070A	H35
	631074	
	631245	

CARBURETOR
REPLACES: Tecumseh

LH195SP HSSK50

MOQ: 50


Antanker No.	OEM No.	Model
AT701-TCS-640299	640299	LH195SP
	640299A	HSSK50
	640299B	

CARBURETOR
REPLACES: B&S

794161 498811

MOQ: 50


Antanker No.	OEM No.	Model
AT701-BS794161	794161	794161
	498811	498811

CARBURETOR
REPLACES: Briggs & Stratton

170401 170402 170412

170417 170431 190400

190401

MOQ: 50


Antanker No.	OEM No.	Model
AT701-BS-390323		170401
		170402
		170412
		170417
		170431
		190400
		190401
		390323
	394228	
	170401	
	190412	

CARBURETOR
REPLACES: Tecumseh

HM100 HMSK90 HMSK100

MOQ: 50


Antanker No.	OEM No.	Model
AT701-TCS-632370A	632370A	HM100
	632370	HMSK90
	632110	HMSK100

CARBURETOR
REPLACES: Tecumseh

TM049XA

MOQ: 50


Antanker No.	OEM No.	Model
AT701-TCS-640347A	640347A	TM049XA

CARBURETOR
REPLACES: Tecumseh

HSK600 HSK635 TH098SA

MOQ: 50


Antanker No.	OEM No.	Model
AT701-TCS-640086	640086	HSK600
	640086A	HSK635
	632641	TH098SA

CARBURETOR
REPLACES: Briggs & Stratton

0647-0 1133-0

MOQ: 50


Antanker No.	OEM No.	Model
AT701-BS-499059	499059	0647-0
	497586	1133-0

CARBURETOR
REPLACES: Briggs & Stratton

790845

MOQ: 50


Antanker No.	OEM No.	Model
AT701-BS-799871	799871	790845

CARBURETOR

REPLACES: Briggs & Stratton
498170



MOQ: 50

Antanker No.	OEM No.	Model
AT701-498170-00		498170

CARBURETOR

REPLACES: Briggs & Stratton
96900 98900 9B900 9H999



MOQ: 50

Antanker No.	OEM No.	Model
AT701-BS-494406		96900
	494406	98900
	498809	9B900
		9H999

CARBURETOR

REPLACES: Tanaka
TC321



MOQ: 50

Antanker No.	OEM No.	Model
AT701-TNK-TC321		TC321

CARBURETOR

REPLACES:
MTD



MOQ: 50

Antanker No.	OEM No.	Model
AT701-MTD-75110765		751-10765
		951-10765

CARBURETOR

REPLACES:
MTD



MOQ: 50

Antanker No.	OEM No.	Model
AT701-MTD-95111193		751-11193
		951-11193

CARBURETOR

REPLACES: Briggs & Stratton
129H00 12A800



MOQ: 50

Antanker No.	OEM No.	Model
AT701-BS-799868	799868	129H00 12A800
	498254	
	497347	
	497314	
	498170	

CARBURETOR

REPLACES: Briggs & Stratton
96900 98900 9B900 9H999



MOQ: 50

Antanker No.	OEM No.	Model
AT701-BS-498809		96900
	498809	98900
	498809A	9H999
	497619	9B900
		9B900

CARBURETOR

REPLACES:
MTD



MOQ: 50

Antanker No.	OEM No.	Model
AT701-MTD-75110881		751-10881
		951-10881

CARBURETOR

REPLACES:
MTD



MOQ: 50

Antanker No.	OEM No.	Model
AT701-MTD-75110638		951-10638
		951-10638A

CARBURETOR
REPLACES:

MTD

MOQ: 50


Antanker No.	OEM No.	Model
AT701-MTD-75110873		751-10873 951-10873

CARBURETOR
REPLACES:

MTD

MOQ: 50


Antanker No.	OEM No.	Model
AT701-MTD-95114026A		951-14026A 951-14027A

CARBURETOR
REPLACES:

MTD

MOQ: 50


Antanker No.	OEM No.	Model
AT701-MTD-95110956		751-10956A 951-10956A

CARBURETOR
REPLACES:

MTD

MOQ: 50


Antanker No.	OEM No.	Model
AT701-MTD-75110309		751-10309 951-10309

CARBURETOR
REPLACES: MTD

753-06170

MOQ: 50


Antanker No.	OEM No.	Model
AT701-MTD-75306170		753-06170

CARBURETOR
REPLACES: MTD

41BD425C995 21AA144R978

21AA144R900 41AD26SC900

MOQ: 50


Antanker No.	OEM No.	Model
AT701-MTD-7531225	753-1225 753-04296	41BD425C99 5 21AA144R978 21AA144R900

CARBURETOR
REPLACES: MTD

951-10974 951-10974A

MOQ: 50


Antanker No.	OEM No.	Model
AT701-MTD-95110974		951-10974 951-10974A

CARBURETOR
REPLACES: Mitsubishi

GT400

MOQ: 50


Antanker No.	OEM No.	Model
AT701-MSB400-00		GT400

CARBURETOR
REPLACES: MTD

11A-54MC000 11A-54MC006

12A-44MC055 12AE46M3001

MOQ: 50


Antanker No.	OEM No.	Model
AT701-MTD-75110310	751-10310 951-10310	11A-54MC000 11A-54MC006 12A-44MC055

CARBURETOR
REPLACES: MTD

WT-827 753-05133

MOQ: 50


Antanker No.	OEM No.	Model
AT701-MTD-75305133	WT-827 753-05133	725R 767R 775R 705R 825R

CARBURETOR
REPLACES: Mitsubishi

GT400

MOQ: 50


Antanker No.	OEM No.	Model
AT701-MSB400-00		GT400

CARBURETOR
REPLACES: Mitsubishi

TL43

MOQ: 50


21mm

Antanker No.	OEM No.	Model
AT701-MSB-TL4301		TL43

CARBURETOR
REPLACES: Stihl

MS170 MS180

MOQ: 50


Walbro type

Antanker No.	OEM No.	Model
AT701-MS170-01		MS170 MS180

CARBURETOR
REPLACES: Stihl

MS200T MS200

MOQ: 50


Antanker No.	OEM No.	Model
AT701-MS200-00	1129-120-0653	MS200T MS200

CARBURETOR
REPLACES: Stihl

MS210 MS230 MS250

MOQ: 50


Antanker No.	OEM No.	Model
AT701-MS210-00	1123-120-0605	MS210 MS230 MS250

CARBURETOR
REPLACES: Mitsubishi

GT600 GT400

MOQ: 50


Antanker No.	OEM No.	Model
AT701-MSB-GT400		GT600 GT400

CARBURETOR
REPLACES: Stihl

MS170 MS180

MOQ: 50


Zama type

Antanker No.	OEM No.	Model
AT701-MS170-00	1130-120-0603	MS170 MS180

CARBURETOR
REPLACES: Stihl

MS181 MS211

MOQ: 50


Antanker No.	OEM No.	Model
AT701-MS181-00	1139-120-0619 1139-1207-100 1139-1200-612	MS181 MS211

CARBURETOR
REPLACES: Stihl

MS240 MS260

MOQ: 50


Antanker No.	OEM No.	Model
AT701-MS240-00	1121-120-0610	MS240 MS260

CARBURETOR
REPLACES: Stihl

MS290 MS310 MS390

MOQ: 50


Antanker No.	OEM No.	Model
AT701-MS290-00	1127-120-0604 1127-120-0605 1127-120-0650	MS290 MS310 MS390

CARBURETOR
REPLACES: Stihl

MS340 MS360

MOQ: 50


Antanker No.	OEM No.	Model
AT701-MS340-00	1125-120-0615	MS340 MS360

CARBURETOR
REPLACES: Stihl

MS380 MS381

MOQ: 50


Antanker No.	OEM No.	Model
AT701-MS380-00	1119-120-0650	MS380 MS381

CARBURETOR
REPLACES: Stihl

MS341 MS361

MOQ: 50


Antanker No.	OEM No.	Model
AT701-MS341-00	1130-120-0610 1135-120-0608 1135-120-0601	MS341 MS361

CARBURETOR
REPLACES: Stihl

MS440 MS460

MOQ: 50


Antanker No.	OEM No.	Model
AT701-MS440-00	1128-120-0625	MS440 MS460

CARBURETOR
REPLACES: Stihl

MS640 MS650 MS660

MOQ: 50


Antanker No.	OEM No.	Model
AT701-MS640-00	1122-120-0623 1122-120-0621	MS640 MS650 MS660

CARBURETOR
REPLACES: Stihl

MS070 MS090

MOQ: 50


Antanker No.	OEM No.	Model
AT701-MS070-00		MS070 MS090

CARBURETOR
REPLACES: Stihl

FS38 FS45 FS55

MOQ: 50


Antanker No.	OEM No.	Model
AT701-FS38-00	4140-120-0619 4140-124-2800	FS38 FS45 FS55

CARBURETOR
REPLACES: Stihl

MS051

MOQ: 50


Antanker No.	OEM No.	Model
AT701-MS051-00		MS051

CARBURETOR
REPLACES: Stihl

FS75 FS80 FS85

MOQ: 50


Antanker No.	OEM No.	Model
AT701-FS75-00	4140-120-0619 4140 120 0623	FS75 FS80 FS85

CARBURETOR
REPLACES: Stihl

FS87 FS90 FS100 FS110

MOQ: 50


Antanker No.	OEM No.	Model
AT701-FS87-00	4180-120-0611 4180-120-0604	FS87 FS90 FS100 FS110

CARBURETOR
REPLACES: Stihl

FS160 FS220 FS280

MOQ: 50


Antanker No.	OEM No.	Model
		FS160
AT701-FS160-00	4119-120-0602	FS220
		FS280

CARBURETOR
REPLACES: Stihl

FS120 FS200 FS250

MOQ: 50


Antanker No.	OEM No.	Model
		FS120
AT701-FS120-00	4134-120-0653	FS200
		FS250

CARBURETOR
REPLACES: Stihl

FS400 FS450

MOQ: 50


Antanker No.	OEM No.	Model
		FS400
AT701-FS400-00	4128 120 0607	FS450

CARBURETOR
REPLACES: Stihl

TS400

MOQ: 50


Antanker No.	OEM No.	Model
AT701-TS400-00	4223-120-0650	TS400

CARBURETOR
REPLACES: STIHL

TS510 TS760

MOQ: 50


Antanker No.	OEM No.	Model
		TS510
AT701-TS510-00	4205 120 0601	TS760

CARBURETOR
REPLACES: Stihl

TS410 TS420

MOQ: 50


Antanker No.	OEM No.	Model
		TS410
AT701-TS410-00	4238-120-0600	TS420

CARBURETOR
REPLACES: Stihl

SH55 SH85

BG45 BG55

BG65 BG85

MOQ: 50


Antanker No.	OEM No.	Model
		SH55 SH85
AT701-SH55-00	4229-120-0606	BG45 BG55
		BG65 BG85

CARBURETOR
REPLACES: Stihl

SH56 SH85

BG56 BG86

MOQ: 50


Antanker No.	OEM No.	Model
		SH56 SH85
AT701-SH56-00	4241-120-0616	BG56 BG86

CARBURETOR
REPLACES: STIHL

1E50F

MOQ: 50


Antanker No.	OEM No.	Model
AT701-1E50F-00		1E50F

CARBURETOR
REPLACES: Stihl

BG45 BG46 BG55

BG65 BG85 SH55

MOQ: 50


Antanker No.	OEM No.	Model
AT701-BG45-00	4229-120-0606 CIQ-S64 CIQ-S68D CIQ-S68E	BG45
		BG46
		BG55
		BG65
		BG85
		SH55

CARBURETOR
REPLACES: Husqvarna

51 55

MOQ: 50


Antanker No.	OEM No.	Model
AT701-HUS55-00	503281504	51
		55

CARBURETOR
REPLACES: Husqvarna

362 365 371 372

MOQ: 50


Antanker No.	OEM No.	Model
AT701-HUS-362	503281805	362
		365
		371
		372

CARBURETOR
REPLACES: Husqvarna

61 266 268 272

MOQ: 50


Antanker No.	OEM No.	Model
AT701-HUS-61	503 28 03-16	61
		266
		268
		272

CARBURETOR
REPLACES: Husqvarna

445 450

MOQ: 50


Antanker No.	OEM No.	Model
AT701-HUS445-00	506450401	445
		450

CARBURETOR
REPLACES: Husqvarna

136 137 141 142

MOQ: 50


Antanker No.	OEM No.	Model
AT701-HUS-136	530071987	136
		137
		141
		142

CARBURETOR
REPLACES: Husqvarna

BR500 BR550 BR660

MOQ: 50


Antanker No.	OEM No.	Model
AT701-HUS-BR500	42821200606 42821200607	BR500
		BR550
		BR600

CARBURETOR
REPLACES: Husqvarna

235 236 240

MOQ: 50


Antanker No.	OEM No.	Model
AT701-HUS-235	574719402 545072601	235
		236
		240

CARBURETOR
REPLACES: Husqvarna

128C 128L 128LD 128R

MOQ: 50


Antanker No.	OEM No.	Model
AT701-HUS-128C	545081848	128C
		128L
		128LD
		128R

CARBURETOR
REPLACES: Husqvarna

340 345 350

MOQ: 50


Antanker No.	OEM No.	Model
AT701-HUS-340	503283208	340
		345
		350

CARBURETOR
REPLACES: Zenoah

4500 5200 5800

MOQ: 50


Antanker No.	OEM No.	Model
AT701-ZEH-4500	848C818104	4500
		5200
		5800

CARBURETOR
REPLACES: Zenoah

G3800

MOQ: 50


Antanker No.	OEM No.	Model
AT701-ZEH-G3800		G3800

CARBURETOR
REPLACES: Mitsubihsi

T200

MOQ: 50


Antanker No.	OEM No.	Model
AT701-MSB-T200	FR67377	T200

CARBURETOR
REPLACES: Mitsubihsi

TU26

MOQ: 50


Antanker No.	OEM No.	Model
AT701-MSB-TU26	220677306473	TU26

CARBURETOR
REPLACES: Mitsubihsi

TL33

MOQ: 50


Antanker No.	OEM No.	Model
AT701-MSB-TL3300	KK22017AA	TL33

CARBURETOR
REPLACES: Mitsubihsi

TL33

MOQ: 50


Antanker No.	OEM No.	Model
AT701-MSB-TL3301		TL33

CARBURETOR
REPLACES: Mitsubihsi

TL52

MOQ: 50


Antanker No.	OEM No.	Model
AT701-MSB-TL52		TL52

CARBURETOR
REPLACES: Mitsubihsi

TL43

MOQ: 50


Antanker No.	OEM No.	Model
AT701-MSB-TL4300	KK23002AA	TL43

CARBURETOR

REPLACES: Robin
SUM328
MOQ: 50



Antanker No.	OEM No.	Model
AT701-RB-SUM328		SUM328

CARBURETOR

REPLACES: Robin
NB411
MOQ: 50



(40-6)

Antanker No.	OEM No.	Model
AT701-RB-NB411	PZ13A-000	NB411

CARBURETOR

REPLACES: Echo
SRM260S SRM261S SRM261SB
MOQ: 50



Antanker No.	OEM No.	Model
AT701-EC-SRM260S		SRM260S SRM261S SRM261SB

CARBURETOR

REPLACES: Echo
Zama
Mantis Tiller 7222 7225
7230 TC2100
MOQ: 50



Antanker No.	OEM No.	Model
AT701-ZM-C1UK54A	12520011823 12520005360 12520005361 12520012820 12520013122 12520013123 12520013124 12520013125	7222 7225 7230 TC2100

CARBURETOR

REPLACES: Echo
Zama
Zama RB K85
PB251 PB265L
MOQ: 50



Antanker No.	OEM No.	Model
AT701-ZM-RBK85	A021001591 A021001350	PB251 PB265L

CARBURETOR

REPLACES: Echo
Zama
ZamaRB-K93
SRM225 SRM225i
MOQ: 50



Antanker No.	OEM No.	Model
AT701-EC-SRM225	A021001690 A021001691	SRM225 SRM225i

CARBURETOR

REPLACES: Echo
Zama
PB251 ES255
MOQ: 50



Antanker No.	OEM No.	Model
AT701-ZM-A021001590	A021001590 A021001591 A021001592 A021001593	PB251 ES255

CARBURETOR

REPLACES: Echo
Zama
Zama RB-K84
SRM255 SRM265 SRM266
MOQ: 50



Antanker No.	OEM No.	Model
AT701-EC-SRM255	A021001201	SRM255 SRM265 SRM266

CARBURETOR
REPLACES: Echo

 PPT230 PPT231 PE230
 GT230 GT231 GT201
 GT200

MOQ: 50

Antanker No.	OEM No.	Model
AT701-EC-PPT230		PPT230
		PPT231
	A021000720	PE230
	A021000721	GT230
	A021000722	GT231
	A021000723	GT201
	A021000380	GT231
	A021000381	GT201
	A021000382	GT200

CARBURETOR
REPLACES: Echo

 PB-755SH PB-755H
 PB-755ST PB-755T

MOQ: 50

Antanker No.	OEM No.	Model
AT701-EC-PB755SH		PB-755SH
		PB-755H
	A021000811	PB-755ST
	A021000810	PB-755T

CARBURETOR
REPLACES: Echo

PB-770

MOQ: 50


Antanker No.	OEM No.	Model
AT701-ECPB-770	A021001870 A021003940	PB-770

CARBURETOR
REPLACES: Echo
 Zama

 PB250 ES-250
 PB-250 RB-K106

MOQ: 50

Antanker No.	OEM No.	Model
AT701-ZM-PB250		PB250
		ES-250
		PB-250
		RB-K106

CARBURETOR
REPLACES: Echo
 Zama

 DH212 GT201 PE200
 PE201 RB-K75

MOQ: 50

Antanker No.	OEM No.	Model
AT701-ZM-RBK75		DH212
		GT201
		PE200
		PE201
		RB-K75
	A021000740	

CARBURETOR
REPLACES: Echo
 Zama

 SRM201 SRM-210
 SRM230 SRM231
 HC160 HC180 HC200 RB-K70

MOQ: 50

Antanker No.	OEM No.	Model
AT701-EC-SRM201		SRM201
		SRM-210
		SRM230
		SRM231
		HC160
		HC180
		HC200
		RB-K70
		A021000720 A021000721 A021000722 A021000723 A021000380 A021000381

CARBURETOR
REPLACES: ECHO

4605

MOQ: 50


Antanker No.	OEM No.	Model
AT701-EC-4605		4605

CARBURETOR
REPLACES: Zama

RB-K70A

MOQ: 50


Antanker No.	OEM No.	Model
AT701-ZM-RBK70A	A021000720 A021000721 A021000722	RB-K70A

CARBURETOR
REPLACES: Echo
Walbro

PB651 PB751 PB755

WYK192

MOQ: 50


Antanker No.	OEM No.	Model
AT701-EC-PB651	A021000810	PB651 PB751 PB755 WYK192

CARBURETOR
REPLACES: Zama

C1U-H60

MOQ: 50


Antanker No.	OEM No.	Model
AT701-ZM-C1UH60	308054034 308054003 308054043	C1U-H60

CARBURETOR
REPLACES: Zama

C1U-W18

MOQ: 50


Antanker No.	OEM No.	Model
AT701-ZM-C1UW18	530071752 530071822	C1U-W18

CARBURETOR
REPLACES: Zama

C1U-W8 C1U-W14

MOQ: 50


Antanker No.	OEM No.	Model
AT701-ZM-C1UW8	545081885 530069703 530071820	C1U-W8 C1U-W14

CARBURETOR
REPLACES: Zama

W-26 C1M-W26

MOQ: 50


Antanker No.	OEM No.	Model
AT701-ZM-C1MW26	545070601 545040701 530035589	W-26 C1M-W26

CARBURETOR
REPLACES: Zama

W19

MOQ: 50


Antanker No.	OEM No.	Model
AT701-ZM-W19	530071811	C1U-W19

CARBURETOR
REPLACES: Zama

C1U-K54A

MOQ: 50


Antanker No.	OEM No.	Model
AT701-ZM-C1UK54A	12520013123 12520013124	C1U-K54A

CARBURETOR
REPLACES: Walbro

WYL-229

WYL-229-1

MOQ: 50


Antanker No.	OEM No.	Model
AT701-MTD-WYL229	753-05251	WYL-229 WYL-229-1

CARBURETOR
REPLACES: Kawasaki

KLX110 (Carb 2002-2009)

MOQ: 50


Antanker No.	OEM No.	Model
AT701-KWS-KLX110		KLX110

CARBURETOR

REPLACES: Homelite
 RY09600 RY09701 25CC 26CC
 RY26540 RY30160
MOQ: 50



Antanker No.	OEM No.	Model
		RY09600
		RY09701
AT701-HML-308054013	308054013 308054012	RY26540
		RY30160

CARBURETOR

REPLACES: Red Max
 BC440DWM
MOQ: 50



Antanker No.	OEM No.	Model
AT701-RMS-BC440DWM		BC440DWM

CARBURETOR

REPLACES: KIORRRZ
 1E36FP
MOQ: 50



Antanker No.	OEM No.	Model
AT701-KRZ-1E36FP		1E36FP

CARBURETOR

REPLACES: X-TREME
 XG-550 XG-505 XG-499 XG-470
MOQ: 50



Antanker No.	OEM No.	Model
		XG-550
		XG-505
AT701-XG-550		XG-499
		XG-470

CARBURETOR

REPLACES:
 KH21
MOQ: 50



Antanker No.	OEM No.	Model
AT701-KH21-00		KH21

CARBURETOR

REPLACES: Troy-Bilt
 TB26TB TB475SS
 TB490BC TB425CS
MOQ: 50



Antanker No.	OEM No.	Model
		TB26TB
		TB475SS
AT701-TB-26TB	753-04296 753-04745	TB490BC
		TB425CS

FUEL INJECTION ASSY.

REPLACES: Yanmar
 L48 L70 L100
MOQ: 30



(with long type nozzle)

Antanker No.	OEM No.	Model
AT702-YM170-00	114250-32010	L48
AT702-YM178-00	114250-32010	L70
AT702-YM186-00	114650-32010	L100

FUEL INJECTION ASSY.

REPLACES: Yanmar
 L48 L70 L100
MOQ: 30
 (with short type nozzle)



Antanker No.	OEM No.	Model
AT702-YM170-01	114250-32010	L48
AT702-YM178-01	114250-32010	L70
AT702-YM186-01	114650-32010	L100

CARBURETOR INSULATOR

REPLACES: Honda
 GX120
MOQ: 100



Antanker No.	OEM No.	Model
AT703-HD120-00	16211-ZE0-000	GX120

CARBURETOR INSULATOR
REPLACES: Honda

GX160 GX200

MOQ: 100


Antanker No.	OEM No.	Model
AT703-HD160-00	16211-ZE1-000	GX160
AT703-HD200-00	16211-ZL0-000	GX200

CARBURETOR INSULATOR
REPLACES: Honda

GXV160

MOQ: 100


Antanker No.	OEM No.	Model
AT703-HDXV160-00	16211-ZE7-000	GXV160

CARBURETOR INSULATOR
REPLACES: Robin

EX27

MOQ: 100


(Original)

Antanker No.	OEM No.	Model
AT703-RBX27-00	279-35901-23	EX27

CARBURETOR SPACER COMP.
REPLACES: Honda

GX120 GX160 GX200

MOQ: 200


(Paper material, With asbestos)

Antanker No.	OEM No.	Model
AT705-HD120-00	16220-ZE1-020	GX120
AT705-HD160-00	16220-ZE1-020	GX160
AT705-HD200-00	16220-ZE1-020	GX200

CARBURETOR SPACER COMP.
REPLACES: Honda

GX240 GX270

GX340 GX390

MOQ: 200


(Paper material, With asbestos)

Antanker No.	OEM No.	Model
AT705-HD240-00	16220-ZA0-702	GX240
AT705-HD270-00	16220-ZA0-702	GX270
AT705-HD340-00	16220-ZA0-702	GX340
AT705-HD390-00	16220-ZA0-702	GX390

CARBURETOR INSULATOR
REPLACES: Honda

GX240 GX270

GX340 GX390

MOQ: 100


Antanker No.	OEM No.	Model
AT703-HD240-00	16211-ZE2-000	GX240
AT703-HD270-00	16211-ZE2-000	GX270
AT703-HD340-00	16211-ZE3-000	GX340
AT703-HD390-00	16211-ZF6-L60	GX390

INSULATOR
REPLACES: Robin

EY20

MOQ: 200


Antanker No.	OEM No.	Model
AT703-RBY20-00	227-32901-13	EY20

CHOKE LEVER COMP.
REPLACES: Honda

GX120 GX160

GX200 GX240

GX270 GX340

GX390

MOQ: 100


Antanker No.	OEM No.	Model
AT704-HD120-00	16610-ZE1-000	GX120
AT704-HD160-00	16610-ZE1-000	GX160
AT704-HD200-00	16610-ZE1-000	GX200
AT704-HD240-00	16610-ZE1-000	GX240
AT704-HD270-00	16610-ZE1-000	GX270
AT704-HD340-00	16610-ZE1-000	GX340
AT704-HD390-00	16610-ZE1-000	GX390

CARBURETOR SPACER COMP.
REPLACES: Honda

GX120 GX160 GX200

MOQ: 200


(Paper material, Without asbestos)

Antanker No.	OEM No.	Model
AT705-HD120-20	16220-ZE1-020	GX120
AT705-HD160-20	16220-ZE1-020	GX160
AT705-HD200-20	16220-ZE1-020	GX200

CARBURETOR SPACER COMP.
REPLACES: Honda

GX240 GX270

GX340 GX390

MOQ: 200

(Material, Without asbestos)



Antanker No.	OEM No.	Model
AT705-HD240-20	16220-ZA0-702	GX240
AT705-HD270-20	16220-ZA0-702	GX270
AT705-HD340-20	16220-ZA0-702	GX340
AT705-HD390-20	16220-ZA0-702	GX390

CARBURETOR SPACER COMP.
REPLACES: Honda

GX120 GX160

GX200 GX240

GX270 GX340

GX390

MOQ: 200

(Half rubber coated metal)



Antanker No.	OEM No.	Model
AT705-HD120-01	16220-ZE1-020	GX120
AT705-HD160-01	16220-ZE1-020	GX160
AT705-HD200-01	16220-ZE1-020	GX200
AT705-HD240-01	16220-ZA0-702	GX240
AT705-HD270-01	16220-ZA0-702	GX270
AT705-HD340-01	16220-ZA0-702	GX340
AT705-HD390-01	16220-ZA0-702	GX390

CARBURETOR SPACER COMP.
REPLACES: Honda

GX120 GX160

GX200 GX240

GX270 GX340

GX390

MOQ: 200

(All rubber coated metal)



Antanker No.	OEM No.	Model
AT705-HD120-02	16220-ZE1-020	GX120
AT705-HD160-02	16220-ZE1-020	GX160
AT705-HD200-02	16220-ZE1-020	GX200
AT705-HD240-02	16220-ZA0-702	GX240
AT705-HD270-02	16220-ZA0-702	GX270
AT705-HD340-02	16220-ZA0-702	GX340
AT705-HD390-02	16220-ZA0-702	GX390

AIR FILTER GASKET
REPLACES: Yanmar

L48 L70 L100

MOQ: 200


Antanker No.	OEM No.	Model
AT705-YM170-00	114250-12210	L48
AT705-YM178-00	114250-12210	L70
AT705-YM186-00	114650-12210	L100

INTAKE MANIFOLD GASKET
REPLACES: Honda

GX620 GX670

MOQ: 200

(With asbestos)



Antanker No.	OEM No.	Model
AT706-HD620-00	17151-ZJ1-003	GX620
AT706-HD670-00	17151-ZJ1-841	GX670

AIR FILTER GASKET
REPLACES: Wacker

WM80

MOQ: 400


Antanker No.	OEM No.	Model
AT705-WM80-00		WM80

INTAKE MANIFOLD GASKET
REPLACES: Honda

GX620 GX670

MOQ: 200

(Without asbestos)



Antanker No.	OEM No.	Model
AT706-HD620-20	17151-ZJ1-003	GX620
AT706-HD670-20	17151-ZJ1-841	GX670

INTAKE MANIFOLD GASKET
REPLACES: Wacker

WM80

MOQ: 400


Antanker No.	OEM No.	Model
AT706-WM80-00		WM80

INSULATOR PACKING
REPLACES: Honda

GX120 GX160

GX200

MOQ: 200

(With asbestos)



Antanker No.	OEM No.	Model
AT707-HD120-00	16212-ZH7-800	GX120
AT707-HD160-00	16212-ZH8-800	GX160
AT707-HD200-00	16212-ZH8-800	GX200

INSULATOR PACKING
REPLACES: Honda

GX120 GX160

GX200

MOQ: 200


(Without asbestos)

Antanker No.	OEM No.	Model
AT707-HD120-20	16212-ZH7-800	GX120
AT707-HD160-20	16212-ZH8-800	GX160
AT707-HD200-20	16212-ZH8-800	GX200

INSULATOR PACKING
REPLACES: Honda

GX240 GX270

GX340 GX390

MOQ: 200

(With asbestos)



Antanker No.	OEM No.	Model
AT707-HD240-00	16223-ZA0-800	GX240
AT707-HD270-00	16223-ZA0-800	GX270
AT707-HD340-00	16223-ZE3-W00	GX340
AT707-HD390-00	16223-ZE3-800	GX390

INSULATOR PACKING
REPLACES: Honda

GX240 GX270

GX340 GX390

MOQ: 200

(Without asbestos)



Antanker No.	OEM No.	Model
AT707-HD240-20	16223-ZA0-800	GX240
AT707-HD270-20	16223-ZA0-800	GX270
AT707-HD340-20	16223-ZE3-W00	GX340
AT707-HD390-20	16223-ZE3-800	GX390

INSULATOR PACKING
REPLACES: Robin

EY20

MOQ: 200


Antanker No.	OEM No.	Model
AT707-RBY20-00	227-35901-03	EY20

CARBURETOR PACKING
REPLACES: Honda

GX240 GX270

MOQ: 200

(With asbestos)



Antanker No.	OEM No.	Model
AT708-HD240-00	16221-ZA0-800	GX240
AT708-HD270-00	16221-ZA0-800	GX270

CARBURETOR PACKING
REPLACES: Honda

GX120 GX160

GX200

MOQ: 200

(With asbestos)



Antanker No.	OEM No.	Model
AT708-HD120-00	16221-ZH8-901	GX120
AT708-HD160-00	16221-ZH8-901	GX160
AT708-HD200-00	16221-ZH8-901	GX200

CARBURETOR PACKING
REPLACES: Honda

GX340 GX390

MOQ: 200

(With asbestos)



Antanker No.	OEM No.	Model
AT708-HD340-00	16221-ZE3-800	GX340
AT708-HD390-00	16221-ZF6-800	GX390

CARBURETOR PACKING
REPLACES: Honda

GX120 GX160

GX200

MOQ: 200


(Without asbestos)

Antanker No.	OEM No.	Model
AT708-HD120-20	16221-ZH8-901	GX120
AT708-HD160-20	16221-ZH8-901	GX160
AT708-HD200-20	16221-ZH8-901	GX200

CARBURETOR PACKING
REPLACES: Honda

GX620

MOQ: 200

(With asbestos)



Antanker No.	OEM No.	Model
AT708-HD620-00	16221-ZG8-000	GX620

CARBURETOR PACKING
REPLACES: Honda

GX670

MOQ: 200

(With asbestos)



Antanker No.	OEM No.	Model
AT708-HD670-00	16221-ZN1-000	GX670

CARBURETOR PACKING
REPLACES: Honda

GX25

MOQ: 200


Antanker No.	OEM No.	Model
AT708-HD25-00	16222-Z0H-800	GX25

INSULATOR PACKING
REPLACES: Robin

EY15 EY20

MOQ: 200


Antanker No.	OEM No.	Model
AT708-RBY15-00	227-35904-03	EY15
AT708-RBY20-00	227-35904-03	EY20

CARBURETOR PACKING
REPLACES: Honda

GX240 GX270

GX340 GX390

MOQ: 200

(Without asbestos)



Antanker No.	OEM No.	Model
AT708-HD240-20	16221-ZA0-800	GX240
AT708-HD270-20	16221-ZA0-800	GX270
AT708-HD340-20	16221-ZE3-800	GX340
AT708-HD390-20	16221-ZF6-800	GX390

CARBURETOR PACKING
REPLACES: Honda

GX620

MOQ: 200

(Without asbestos)



Antanker No.	OEM No.	Model
AT708-HD620-20	16221-ZG8-000	GX620

CARBURETOR PACKING
REPLACES: Honda

GX670

MOQ: 200

(Without asbestos)



Antanker No.	OEM No.	Model
AT708-HD670-20	16221-ZN1-000	GX670

CARBURETOR PACKING
REPLACES: Honda

GX35

MOQ: 200


Antanker No.	OEM No.	Model
AT708-HD35-00	16221-Z0Z-000	GX35

CARBURETOR PACKING
REPLACES: Wacker

WM80

MOQ: 400


Antanker No.	OEM No.	Model
AT708-WM80-00		WM80

GASKET
REPLACES: Yamaha

ET950

MOQ: 200


(Carburetor inlet)

Antanker No.	OEM No.	Model
AT708-YMH950-00	7G5-14227-00	ET950

GASKET
REPLACES: Yamaha

ET950

MOQ: 200


(Carburetor outlet)

Antanker No.	OEM No.	Model
AT708-YMH950-01	127-14198-00	ET950

CARBURETOR DIAPHRAGM
REPLACES: B&S

794161

MOQ: 200


Antanker No.	OEM No.	Model
AT708-BS794161	794161 498811	794161 498811

IDLE JET WITH O-RINGS
REPLACES: Honda

GX120 GX140

GX160 GX200

GX240 GX270

GX340 GX390

GX440

MOQ: 200


Antanker No.	OEM No.	Model
AT709-HD120-00	99204-ZE0-0350	GX120
AT709-HD140-00		GX140
AT709-HD160-00	99204-ZE2-0400	GX160
AT709-HD200-00	99204-ZA0-0450	GX200
AT709-HD240-00	99204-ZE0-0400	GX240
AT709-HD270-00	99204-ZE0-0400	GX270
AT709-HD340-00	99204-ZA0-0400	GX340
AT709-HD390-00	99204-ZA0-0400	GX390
AT709-HD440-00	99204-ZE0-0450	GX440

MAIN JET
REPLACES: Honda

GX120 GX140

GX160 GX200

GX240 GX270

GX340 GX390

GX440

MOQ: 200


Antanker No.	OEM No.	Model
AT710-HD120-00	99101-ZH8-0550	GX120
AT710-HD140-00		GX140
AT710-HD160-00	99101-ZH8-0700	GX160
AT710-HD200-00	99101-ZH7-0720	GX200
AT710-HD240-00	99101-ZH8-0820	GX240
AT710-HD270-00	99101-ZH8-0820	GX270
AT710-HD340-00	99101-ZH8-1020	GX340
AT710-HD390-00	99101-ZH8-1020	GX390
AT710-HD440-00		GX440

MAIN NOZZLE
REPLACES: Honda

GX120 GX140

GX160 GX200

GX240 GX270

GX340 GX390

GX440

MOQ: 200


Antanker No.	OEM No.	Model
AT711-HD120-00	16166-ZH7-A50	GX120
AT711-HD140-00	16166-ZE1-005	GX140
AT711-HD160-00	16166-ZH8-E80	GX160
AT711-HD200-00	16166-ZL0-000	GX200
AT711-HD240-00	16166-ZE2-W70	GX240
AT711-HD270-00	16166-ZE2-W70	GX270
AT711-HD340-00	16166-ZE3-W50	GX340
AT711-HD390-00	16166-ZF6-W50	GX390
AT711-HD440-00	16166-ZH8-E80	GX440

FLOAT
REPLACES: Honda

 GX120 GX140
 GX160 GX200
 GX240 GX270
 GX340 GX390
 GX440

MOQ: 200

Antanker No.	OEM No.	Model
AT712-HD120-00	16013-ZE0-005	GX120
AT712-HD140-00	16013-ZE0-005	GX140
AT712-HD160-00	16013-ZE0-005	GX160
AT712-HD200-00	16013-ZE0-005	GX200
AT712-HD240-00	16013-ZA0-931	GX240
AT712-HD270-00	16013-ZA0-931	GX270
AT712-HD340-00	16013-ZA0-931	GX340
AT712-HD390-00	16013-ZA0-931	GX390
AT712-HD440-00	16166-ZH8-E80	GX440

CHAMBER SET
REPLACES: Honda

 GX120 GX140
 GX160 GX200
 GX240 GX270
 GX340 GX390
 GX440

MOQ: 200

Antanker No.	OEM No.	Model
AT713-HD120-00	16015-ZE0-831	GX120
AT713-HD140-00		GX140
AT713-HD160-00	16015-ZE0-831	GX160
AT713-HD200-00	16015-ZE0-831	GX200
AT713-HD240-00	16015-ZE8-005	GX240
AT713-HD270-00	16015-ZE8-005	GX270
AT713-HD340-00	16015-ZE8-005	GX340
AT713-HD390-00	16015-ZE8-005	GX390
AT713-HD440-00	16015-Z2E-003	GX440

CHOKE SET
REPLACES: Honda

 GX120 GX140
 GX160 GX200
 GX240 GX270
 GX340 GX390
 GX440

MOQ: 200

Antanker No.	OEM No.	Model
AT714-HD120-00	16044-ZE0-005	GX120
AT714-HD140-00	16044-ZE0-005	GX140
AT714-HD160-00	16044-ZE0-005	GX160
AT714-HD200-00	16044-ZE0-005	GX200
AT714-HD240-00	16044-ZE2-005	GX240
AT714-HD270-00	16044-ZH9-831	GX270
AT714-HD340-00	16044-ZE3-W20	GX340
AT714-HD390-00	16044-ZE3-W20	GX390
AT714-HD440-00	16044-Z2E-003	GX440

SHROUD
REPLACES: Honda

 GX25
MOQ: 20


Antanker No.	OEM No.	Model
AT715-HD25-00	19631-Z0H-000	GX25

SHROUD
REPLACES: Honda

 GX35
MOQ: 20


Antanker No.	OEM No.	Model
AT715-HD35-00	19631-Z0Z-000	GX35

PUMP PRIMMER
REPLACES: Honda

GX35

MOQ: 200


Antanker No.	OEM No.	Model
AT717-HD35-00	16019-ZM3-004	GX35

INLET NEEDLE VALVE
REPLACES: Honda

GX35

MOQ: 200


Antanker No.	OEM No.	Model
AT716-HD35-00	16019-ZM3-004	GX35

PUMP PRIMMER
REPLACES: Walbro

188-512

MOQ: 500


(Round socket)

Antanker No.	OEM No.	Model
AT718-WB188-512		188-512

PUMP PRIMMER
REPLACES: Walbro

188-513

MOQ: 500


(Rhombic socket)

Antanker No.	OEM No.	Model
AT718-WB188-513		188-513

NOZZLE
REPLACES: Yanmar

L48 L70 L100

MOQ: 50


(Short type)

Antanker No.	OEM No.	Model
AT719-YM170-01	114250-53001	L48
AT719-YM178-01	114350-53000	L70
AT719-YM186-01	114650-53000	L100

SOLENOID VALVE ASSY.
REPLACES: Honda

GX620

MOQ: 30


Antanker No.	OEM No.	Model
AT720-HD620-00	16200-ZJ1-003	GX620

PRIMER BULB
REPLACES: Tecumseh

640084A 640084B

632107A 632107

MOQ: 500


(Fuel Line)

Antanker No.	OEM No.	Model
AT718-TC640084A -00		640084A
AT718-TC640084B -00		640084B
AT718-TC632107A-00		632107A
AT718-TC632107-00		632107

NOZZLE
REPLACES: Yanmar

L48 L70 L100

MOQ: 50

(Long type)



Antanker No.	OEM No.	Model
AT719-YM170-00	114250-53001	L48
AT719-YM178-00	114870-53000	L70
AT719-YM186-00	114650-53000	L100

SOLENOID VALVE ASSY.
REPLACES: Honda

GX630 GX660

GX690

MOQ: 30


Antanker No.	OEM No.	Model
AT720-HD630-00	16200-Z6L-003	GX630
AT720-HD660-00	16200-Z6L-003	GX660
AT720-HD690-00	16200-Z6L-003	GX690

SOLENOID VALVE ASSY.
REPLACES: Honda

GX670

MOQ: 30


Antanker No.	OEM No.	Model
AT720-HD670-00	16200-ZN1-801	GX670

AIR CLEANER GROUP

AIR CLEANER ELEMENT
REPLACES: Honda

GX120 GX160

GX200 GX240

GX270 GX340

GX390

MOQ: 50

(Black, Single Mesh)

Antanker No.	OEM No.
AT801-HD120-00	17210-ZE0-822
AT801-HD340-00	17210-ZE3-010

AIR CLEANER ELEMENT
REPLACES: Honda

GX120 GX160

GX200 GX240

GX270 GX340

GX390

MOQ: 50

(Black, Double Meshes)

Antanker No.	OEM No.
AT801-HD120-10	17210-ZE0-822
AT801-HD340-10	17210-ZE3-010

AIR CLEANER ELEMENT
REPLACES: Honda

GX120 GX160

GX200 GX240

GX270 GX340

GX390

MOQ: 50

(Yellow, Single Mesh)

Antanker No.	OEM No.
AT801-HD120-01	17210-ZE0-822
AT801-HD340-01	17210-ZE3-010

AIR CLEANER ELEMENT
REPLACES: Honda

GX120 GX160

GX200 GX240

GX270 GX340

GX390

MOQ: 50

(Yellow, Double Meshes)

Antanker No.	OEM No.
AT801-HD120-11	17210-ZE0-822
AT801-HD340-11	17210-ZE3-010

AIR CLEANER ELEMENT
REPLACES: Honda

GX270

MOQ: 50

(Black,102x89x78mm, Single mesh)

Antanker No.	OEM No.
AT801-HD270-02	17210-ZE2-822

AIR CLEANER ELEMENT
REPLACES: Honda

GX270

MOQ: 50

(Black,102x89x78mm, Double meshes)

Antanker No.	OEM No.
AT801-HD270-12	17210-ZE2-822

AIR CLEANER ELEMENT
REPLACES: Honda

GX270

MOQ: 50

(Yellow,102x89x78mm, Single mesh)

Antanker No.	OEM No.
AT801-HD270-03	17210-ZE2-822

AIR CLEANER ELEMENT
REPLACES: Honda

GX270

MOQ: 50

(Yellow,102x89x78mm, Double meshes)

Antanker No.	OEM No.
AT801-HD270-13	17210-ZE2-822

Air Cleaner Element

REPLACES: Honda
GX110 GX120
MOQ: 100



Antanker No.	OEM No.
AT801-HD110-02	17210-ZE0-505

Air Cleaner Element

REPLACES: Honda
GX140 GX160 GX200
MOQ: 100



Antanker No.	OEM No.
AT801-HD140-02	17210-ZE1-820

AIR CLEANER ELEMENT COMP

REPLACES: Honda
GX160
MOQ: 100



(Two foams, for rammer)

Antanker No.	OEM No.
AT801-HD160-20	17210-ZK7-V01 17218-ZK7-V01

AIR CLEANER ELEMENT COMP

REPLACES: Honda
GX160
MOQ: 100



(One foam and one paper, for rammer)

Antanker No.	OEM No.
AT801-HD160-30	17210-ZK7-V01 17218-ZK7-V01

AIR CLEANER ELEMENT

REPLACES: Honda
GX100
MOQ: 100



(Black frame and green paper)

Antanker No.	OEM No.
AT801-HD100-02	17211-ZL8-003

AIR CLEANER ELEMENT

REPLACES: Honda
GX100
MOQ: 100



(Blue frame and white paper)

Antanker No.	OEM No.
AT801-HD100-00	17211-ZL8-003

AIR CLEANER ELEMENT

REPLACES: Honda
GX100
MOQ: 100



(Pink frame and yellow paper)

Antanker No.	OEM No.
AT801-HD100-01	17211-ZL8-003

AIR CLEANER ELEMENT

REPLACES: Honda
GX100
MOQ: 100



(With sponge and nylon mesh)

Antanker No.	OEM No.
AT801-HD100-20	17211-ZL8-003

AIR CLEANER ELEMENT

REPLACES: Honda
GX100
MOQ: 100



(With black sponge)

Antanker No.	OEM No.
AT801-HD100-10	17211-ZL8-003

AIR CLEANER ELEMENT COMP

REPLACES: Honda
GX620 GX670
MOQ: 100



(With black sponge)

Antanker No.	OEM No.
AT801-HD620-10	17210-ZJ1-841

AIR CLEANER ELEMENT COMP

REPLACES: Honda
GX620 GX670
MOQ: 100



(New type)

Antanker No.	OEM No.
AT801-HD620-00	17210-ZJ1-841

AIR CLEANER ELEMENT COMP

REPLACES: Honda
GX620 GX670
MOQ: 100



Antanker No.	OEM No.
AT801-HD630-00	17210-Z6L-010

AIR CLEANER ELEMENT

REPLACES: Honda
GV150 GV200 GXV150
MOQ: 100



Antanker No.	OEM No.
AT801-HDXV120-00	17210-ZE6-003
AT801-HDGV150-01	17210-ZE6-505
AT801-HDGV200-01	17211-888-013

Air Cleaner Element

REPLACES: Honda
GX610 GX610
GXV610 GXV610
MOQ: 100



(Old type)

Antanker No.	OEM No.
AT801-HD610-02	17218-ZJ1-000

AIR CLEANER ELEMENT

REPLACES: Honda
GXV160
MOQ: 100



(Black, 18cm)

Antanker No.	OEM No.
AT801-HDXV160-00	17211-ZE7-003

AIR CLEANER ELEMENT

REPLACES: Honda
GXV140
MOQ: 100



Antanker No.	OEM No.
AT801-HDXV140-00	17200-ZE7-003

AIR CLEANER ELEMENT

REPLACES: Honda
GXV160
MOQ: 100



(Yellow, 18cm)

Antanker No.	OEM No.
AT801-HDXV160-01	17211-ZE7-003

AIR CLEANER ELEMENT

REPLACES: Honda
GXV160
MOQ: 100



(Black, 19cm)

Antanker No.	OEM No.
AT801-HDXV160-10	17210-Z1V-003

AIR CLEANER ELEMENT

REPLACES: Honda
GXV160
MOQ: 100



Antanker No.	OEM No.
AT801-HDXV160-02	17211-ZE7-W03

AIR CLEANER ELEMENT

REPLACES: Honda
GXV160
MOQ: 100



(Yellow, 19cm)

Antanker No.	OEM No.
AT801-HDXV160-11	17210-Z1V-003

AIR CLEANER ELEMENT

REPLACES: Honda
GCV520 GCV531
MOQ: 100



Antanker No.	OEM No.
AT801-HDCV520-00	17211-Z0A-013

AIR CLEANER ELEMENT

REPLACES: Honda
GCV135 GCV160 GCV190
MOQ: 100



Antanker No.	OEM No.
AT801-HDGC135-00	17211-ZL8-003

ELEMENT SET

REPLACES: Robin
EX13 EX17 EX21
MOQ: 100



(4.5, 6 and 7HP)

Antanker No.	OEM No.
AT801-RBX13-00	277-32611-07

AIR CLEANER ELEMENT

REPLACES: Honda
GXH50, GXV50, GXV57, WX15
MOQ: 100



Antanker No.	OEM No.
AT801-HDGXH50-00	17211-ZM7-000

ELEMENT SET

REPLACES: Robin
EY20
MOQ: 100



(STD)

Antanker No.	OEM No.
AT801-RBY20-00	226-32610-08

AIR CLEANER ELEMENT

REPLACES: Honda
G150 G200
MOQ: 100



Antanker No.	OEM No.
AT801-HD150-00	17211-883-010

ELEMENT SET

REPLACES: Robin
EH12
MOQ: 100



(Height 30mm)

Antanker No.	OEM No.
AT801-RBH12-00	252-32601-07

ELEMENT

REPLACES: Robin
EY20
MOQ: 100



(Foam)

Antanker No.	OEM No.
AT801-RBY20-01	227-36002-03

AIR FILTER ELEMENT

REPLACES: Robin
MOQ: 100



Antanker No.	OEM No.
AT801-R243326008	243326008

ELEMENT SET

REPLACES: Robin
EH12
MOQ: 100



(Height 40mm)

Antanker No.	OEM No.
AT801-RBH12-01	252-32602-07

AIR FILTER ELEMENT

REPLACES: Robin
EY25-2 EY27-2 EY40
MOQ: 100



Antanker No.	OEM No.
AT801-RBY252-00	207-32606-18

AIR FILTER ELEMENT

REPLACES: Robin
EH-41 EH65
MOQ: 100



Antanker No.	OEM No.
AT801-RBH41-00	267-35003-01

AIR FILTER ELEMENT

REPLACES: Robin
EY28 EH25-2



MOQ: 100

Antanker No.	OEM No.
AT801-RBY28-00	234-32603-07

AIR FILTER ELEMENT

REPLACES: Robin
EC12



MOQ: 100

Antanker No.	OEM No.
AT801-RBC12-00	1063270407

AIR FILTER ELEMENT

REPLACES: Robin
EY20 EY22
Delta DET180



MOQ: 100

Antanker No.	OEM No.
AT801-RBY22-00	010918-4004
AT801-DD180-00	2273261007

AIR FILTER ELEMENT

REPLACES: Robin
EH63 EH64 EH65



MOQ: 100

Antanker No.	OEM No.
AT801-EH63-00	263-32610-01

AIR FILTER ELEMENT

REPLACES: Yanmar
L100



MOQ: 100

Antanker No.	OEM No.
AT801-YM186-00	114650-12590

AIR FILTER ELEMENT

REPLACES: Yanmar
L40 L48 L60 L70



MOQ: 100

Antanker No.	OEM No.
AT801-YML40-00	114250-12580 114250-12581

AIR FILTER ELEMENT

REPLACES: B&S, John Deere
B&S 112200 12A800
92200 128700 129799 12T899
John Deere PT15853



MOQ: 100

Antanker No.	OEM No.
AT801-BS092-129	399959 491588 491588S

AIR FILTER ELEMENT

REPLACES: B&S
21A902 21A907 21A977 21B972
21B902 21B906 21B907 21B977 21B976



MOQ: 100

Antanker No.	OEM No.
AT801-BS21A-21B	697152

AIR FILTER ELEMENT

REPLACES: B&S
12U800 123V02 123V09
12V800 12W802 12U899
12V899 12W807 121600



MOQ: 100

Antanker No.	OEM No.
AT801-BS12U-12W	497725
	497725S
	498596
	690610
	697029

AIR FILTER ELEMENT

REPLACES: B&S
282700 283700 286700 287700
28M700 28N700 28P700 28Q700
28R700 28T700 28V700 28S700



MOQ: 100

Antanker No.	OEM No.
AT801-BS282-28S	493909
	496894
	496894S

AIR FILTER ELEMENT

REPLACES: B&S
405700 to
407700
MOQ: 100



Antanker No.	OEM No.
	499486
	499486S
AT801-BS405-407	695667
	698754

AIR FILTER ELEMENT

REPLACES: B&S
123600 123602
123607 123672
MOQ: 100



Antanker No.	OEM No.
AT801-BS123-000	692446

AIR FILTER ELEMENT

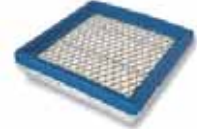
REPLACES: B&S
90700 91700 95700
96700 110700 111700
112700 114700
130700 131700
MOQ: 100



Antanker No.	OEM No.
	395027
AT801-BS090-131	397795
	397795S

AIR FILTER ELEMENT

REPLACES: B&S
100708
MOQ: 100



Antanker No.	OEM No.
AT801-BS100-000	399877
	399877S

AIR FILTER ELEMENT

REPLACES: B&S
290000 294700
303400 351700
400400 422400
MOQ: 100



Antanker No.	OEM No.
	394018
AT801-BS290-440	392642

AIR FILTER ELEMENT

REPLACES: B&S, John Deere

B&S 5408H
John Deere
LA 120 LA 130 LA 135
LA 140 LA 145 LA 150
X140 X165 Z425
MOQ: 100



Antanker No.	OEM No.
	792101
AT801-BS5408H-000	672772
	671231
AT801-JD120-Z425	MIU11286

AIR FILTER ELEMENT

REPLACES: B&S
400700-422700
40A700 460700 42A700
MOQ: 100



Antanker No.	OEM No.
	394019S
	4136
	5052H
AT801-BS400-460	394019
	5052
	5052K

AIR FILTER ELEMENT

REPLACES: B&S
110400, 111400, 120400,
121400, 123400, 121600
Intek Pro 5.5 & 6.5 HP Engines
MOQ: 100



Antanker No.	OEM No.
	690610
AT801-BS110-121	498596
	697029

AIR FILTER ELEMENT

REPLACES: B&S
40G777 40H777 44P777
44H777 44K777
44L777 44M777



MOQ: 100

Antanker No.	OEM No.
	792105
AT801-BS40G-44P	276890
	5405H

AIR FILTER ELEMENT

REPLACES: B&S
215802, 215805, 215807



MOQ: 100

Antanker No.	OEM No.
AT801-BS802-807	796032

AIR FILTER ELEMENT

REPLACES: B&S
090602, 100602
fits DOV700 Series 700, Series 750



MOQ: 100

Antanker No.	OEM No.
AT801-BS090-100	792038

AIR FILTER ELEMENT

REPLACES: B&S
09P702 9/10
OHV 140 CC 500-550 E & EX series



MOQ: 100

Antanker No.	OEM No.
AT801-BS09P702-00	798452

AIR FILTER ELEMENT

REPLACES: B&S
100708; for 3.5 HP Quantum



MOQ: 100

Antanker No.	OEM No.
	399877
AT801-BS399-410	399877S
	4103
	LESCO 050021

AIR FILTER ELEMENT

REPLACES: B&S, John Deere
B&S 31E707 31E777 31F777
31G777 31H777 284H07
284H77 285H77 286H77



John Deere
102 115 L100 L108
LA 100 LA 105 LA 110 LA 115 Z225

MOQ: 100

Antanker No.	OEM No.
	695547
	697014
AT801-BS31E-286H	697153
	697634
	698083
	795115
AT801-JD102-Z225	GY20573
	M149171

AIR FILTER ELEMENT

REPLACES: B&S
358700-389400
V-tw in Vanguard engines



MOQ: 100

Antanker No.	OEM No.
AT801-BS358-389	4232
	692519

AIR FILTER ELEMENT

REPLACES: B&S
85432 85462-0072



MOQ: 200

Antanker No.	OEM No.
AT801-BS854-072	710265

AIR FILTER ELEMENT

REPLACES: B&S
31C700 31P677



MOQ: 100

Antanker No.	OEM No.
AT801-BS31C-31P	796031
	591334

AIR FILTER ELEMENT
REPLACES: B&S

 430447,432447,437447,522447,543447,580447,
 582447,587447,588447,589447 & 58A447

MOQ: 100

Antanker No.
OEM No.

AT801-BS820263

 820263
 P822686

AIR FILTER ELEMENT
REPLACES: B&S

 44M977 44P977
 44Q977 44M977 44L977

MOQ: 100

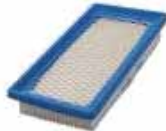
Antanker No.
OEM No.

AT801-BS44M-44L

798897

AIR FILTER ELEMENT
REPLACES: B&S

93400 115400 133400

MOQ: 100

Antanker No.
OEM No.

AT801-BS934-133

 494511
 494511S

AIR FILTER ELEMENT
REPLACES: B&S

 Intek series 121600, OHV engines;
 for 5.5 thru 6.75 HP engines

MOQ: 100

Antanker No.
OEM No.

AT801-BS498596

 697029
 5059H
 4207
 690610
 498596
 5059D
 5059
 5059K

AIR FILTER ELEMENT
REPLACES: B&S

BS6021

MOQ: 100

Antanker No.
OEM No.

AT801-BS6021

W157193

AIR FILTER ELEMENT
REPLACES: B&S

MOQ: 100

Antanker No.
OEM No.

AT801-BS653202

653202

AIR FILTER ELEMENT
REPLACES: B&S

 111P02 111P05 112P02
 11P905 11P907 121Q02
 121Q72 121R05 121S02
 112P05 11P902 121S05
 121Q07 121Q12

MOQ: 100

Antanker No.
OEM No.

AT801-BS11-00

795066

AIR FILTER ELEMENT
REPLACES: B&S

MOQ: 100

Antanker No.
OEM No.

AT801-BS28-00

 493910
 691667

AIR FILTER ELEMENT
REPLACES: B&S

 176400 19B400 19E400
 19F400 19G700 192400
 196400 226400 256400

MOQ: 100

Antanker No.
OEM No.

AT801-BS176-256

496077

AIR FILTER ELEMENT
REPLACES: B&S

093302 093312 093332

MOQ: 100

Antanker No.
OEM No.

AT801-BS093302-32

790166

SPONGE AIR FILTER ELEMENT

REPLACES: B&S
B902, 98902, 98982,
10A902, 10B902 and 10A982
MOQ: 100



(Yellow type)

Antanker No.	OEM No.
AT802-698369	698369

SPONGE AIR FILTER ELEMENT

REPLACES: B&S
MOQ: 100



(Green type)

Antanker No.	OEM No.
AT802-BS272235-00	272235S

AIR FILTER ELEMENT

REPLACES: Kohler
K241 K301 K321
MOQ: 300



Antanker No.	OEM No.
AT801-KLK241-00	235116

AIR FILTER ELEMENT

REPLACES: Kohler
CV11 CV16
CV460 CV493
MOQ: 300



Antanker No.	OEM No.
AT801-KLCV11-00	1208310-S

AIR FILTER ELEMENT

REPLACES: Kohler
K91-K161
MOQ: 100



Antanker No.	OEM No.
AT801-KLK91-K161	230840

AIR FILTER ELEMENT

REPLACES: B&S
710268
MOQ: 100



Antanker No.	OEM No.
AT801-BS710268	710266

AIR FILTER ELEMENT

REPLACES: B&S, John Deere
ST 480
MOQ: 100



Antanker No.	OEM No.
	394018S
AT801-BS39-00	394018
	4106
AT801-JDLG394018JD	LG394018JD

AIR FILTER ELEMENT

REPLACES: B&S John Deere
B&S 31L777 31M977 31Q777 331707 331777
331807 331877 33M677 33M777
John Deere LA 125 D120
MOQ: 100



Antanker No.	OEM No.
AT801-BS31L-33M	793569
AT801-JDD120-00	GY21055
	MIU11511

AIR FILTER ELEMENT

REPLACES: B&S
60500, 61500, 80500, 81500, 90102,
130200, 131200 and 140200
for 2 thru 5 HP horizontal engines
MOQ: 100



Antanker No.	OEM No.
	27987
	27987S
AT801-BS140-600	4108
	5001H

AIR FILTER ELEMENT

REPLACES: Kohler
CV17 CV25 CV675 CV740
K341



MOQ: 100

Antanker No.	OEM No.
AT801-KLCV17-00	45 083 02-S

AIR FILTER ELEMENT

REPLACES: Kohler
MOQ: 100



Antanker No.	OEM No.
AT801-KLSV810-840	32-083-06-S

AIR FILTER ELEMENT

REPLACES: Kohler
CH5 M5
MOQ: 100



Antanker No.	OEM No.
AT801-KLCH5-M5	15 083 01

AIR FILTER ELEMENT

REPLACES: Kohler
K161 K181
MOQ: 100



Antanker No.	OEM No.
AT801-KLK161-181	231847 548436R1

AIR FILTER ELEMENT

REPLACES: Kohler, Kawasaki
Kohler CH18-CH26, CV16-CV26,
CH730-CH750, CV740, CV745,
LH640, LH685 and LH690
Kawasaki FH601D, FH641D, FH680D,
FH721D, FX651V, FX691V, FX730V
MOQ: 100



Antanker No.	OEM No.
AT801-KLCH18-LH690	2508301
AT801-KWFH6-FX7	2508301S 11013-7019

AIR FILTER ELEMENT

REPLACES: Kohler
CH25 CH26
MOQ: 100



Antanker No.	OEM No.
AT801-KL2508303	2508303 2508303S

AIR FILTER ELEMENT

REPLACES: Kohler
SV710 SV715
SV725 SV735
SV810 SV820
SV830 SV840
MOQ: 300



Antanker No.	OEM No.
AT801-KLSV710-00	3288303S1 3208306S

AIR FILTER ELEMENT

REPLACES: Kohler, Kawasaki
Kawasaki FH541 KAI, FH580, FX481V,
FX541V and FX600V
Kohler CV460-CV493,
TH16, TH18, TH520 and TH575
MOQ: 100



Antanker No.	OEM No.
AT801-KWFH541-CV493	2508302
AT801-KLTH16-575	25-083-02S 11013-7029

AIR FILTER ELEMENT

REPLACES: Kohler
SV470S SV610
MOQ: 100



Antanker No.	OEM No.
AT801-KLSV470S-00	20 083 02

AIR FILTER ELEMENT

REPLACES: Kohler
SV470 SV610
MOQ: 300



Antanker No.	OEM No.
AT801-KLSV470-000	2088302S1

AIR FILTER ELEMENT

REPLACES: Kohler Gravely Lesco
K301, K482, K532 K582



MOQ: 100

Antanker No.	OEM No.
AT801-KLK301-00	KL 277138
AT801-KLK482-00	KL 277138S
AT801-KLK532-00	GR 21449300
AT801-KLK582-00	LC'006577

AIR FILTER ELEMENT

REPLACES: Kawasaki
FH430V-S51



MOQ: 100

Antanker No.	OEM No.
AT801-KWFH430V-S51	11013-7017

AIR FILTER ELEMENT

REPLACES: Kawasaki
MOQ: 100



Antanker No.	OEM No.
AT801-KWFH601V-00	11029-7002

AIR FILTER ELEMENT

REPLACES: Kawasaki
FE120D FE120G FE170D
MOQ: 100



Antanker No.	OEM No.
AT801-KWFE120D-170D	
AT801-KWFE120G-00	11013-2132
AT801-KWFE170D-00	

AIR FILTER ELEMENT

REPLACES: Kawasaki
FC150V VC150V F615V



MOQ: 100

Antanker No.	OEM No.
AT801-KWFC150V-00	JD M79451
AT801-KWVC150V-00	11013-2175
AT801-KWF615V-00	11029-2010

AIR FILTER ELEMENT

REPLACES: Kohler
CH18-CH26, CH620-CH750,
CV17-CV25, CV620-CV740
K241, K301, K321, K341, K361, K532 and K582



MOQ: 100

Antanker No.	OEM No.
	47 083 03
	47 083 03-S
	47 083 03-S1
AT801-KLCH18-26	47 883 03
	47 883 03-S
	47 883 03-S1

AIR FILTER ELEMENT

REPLACES: Kohler Gravely JD Lesco Cub Cadet
KT17, KT19, KT21
CH11-CH16 M18-M20



MOQ: 100

Antanker No.	OEM No.
AT801-KLCH11-16	KL 4708301
	KL 4708301S
	GR20570400
AT801-KLKT17-21	GR932494
	JD M83646
	LC 012596
AT801-KLM18-20	CC 7593547
	CC 117210C1
AT801-KLCH11-15	CC 9593547

AIR FILTER ELEMENT

REPLACES: Kawasaki
FX751V FX801V FX850V
MOQ: 100



Antanker No.	OEM No.
AT801-KWFX751V850V	11013-7038

AIR FILTER ELEMENT

REPLACES: Kawasaki
FH601V
MOQ: 100



Antanker No.	OEM No.
AT801-KWFH601V-01	11013-7027

AIR FILTER ELEMENT

REPLACES: Kawasaki
FH500V
MOQ: 100



Antanker No.	OEM No.
AT801-KWFH500V-00	11013-7002

AIR FILTER ELEMENT

REPLACES: Kawasaki
FR651V FR691V FR730V
MOQ: 100



Antanker No.	OEM No.
AT801-KWFR651V-00	11013-7047 11013-7049

AIR FILTER ELEMENT

REPLACES: Kawasaki
FX751V FX801V FX850V
FX921V FX1000V
MOQ: 100



Antanker No.	OEM No.
AT801-KSFX751V-00	110137039

AIR FILTER ELEMENT

REPLACES: Kawasaki
FA210
MOQ: 100



Antanker No.	OEM No.
AT801-KWFA210-00	3144-AA-1312A 49064-2059 JD M71952

AIR FILTER ELEMENT

REPLACES: Kawasaki
FD671D FD711D FD750D
MOQ: 100



Antanker No.	OEM No.
AT801-KWFD671D-00	11013-2213 M144816

AIR FILTER ELEMENT

REPLACES: Kawasaki
MOQ: 100



Antanker No.	OEM No.
AT801-KWKRB750-00	11029-2021

AIR FILTER ELEMENT

REPLACES: John Deere
FB-460V
MOQ: 100



Antanker No.	OEM No.
AT801-JDFB-460V	11013-2021 AM-101191

AIR FILTER ELEMENT

REPLACES: Kawasaki
FH 381V 450V 541V 580V
MOQ: 100



Antanker No.	OEM No.
AT801-KW381V-00	11013-7031

AIR FILTER ELEMENT

REPLACES: John Deere
MOQ: 100



Antanker No.	OEM No.
AT801-JDM123378	M123378

AIR FILTER ELEMENT

REPLACES: Kawasaki
TD040 TD048 TH43 - KT30
MOQ: 100



Antanker No.	OEM No.
AT801-TD040-00	11013-2085

AIR FILTER ELEMENT

REPLACES: John Deere
CV11 CV16
MOQ: 100



Antanker No.	OEM No.
AT801-JDCV11-00	12 083 05-S

AIR FILTER ELEMENT

REPLACES: John Deere
LX172 LX176
MOQ: 100



Antanker No.	OEM No.
AT801-JDLX172-00	M97211
AT801-JDLX176-00	AM-104560

AIR FILTER ELEMENT

REPLACES: John Deere
MOQ: 100



Antanker No.	OEM No.
AT801-JDM131802	M131802

AIR FILTER ELEMENT

REPLACES: John Deere Tecumseh
H30 H70
MOQ: 100



Antanker No.	OEM No.
AT801-JDH30 -00	30727
AT801-JDH70 -00	AM30900

AIR FILTER ELEMENT

REPLACES: Tecumseh
VLV50 VLV55 VLV60
VLV66 VLV126
MOQ: 100



Antanker No.	OEM No.
AT801-TVLV50-00	36046 36044 740061

AIR FILTER ELEMENT

REPLACES: John Deere
MOQ: 100



Antanker No.	OEM No.
AT801-JD393957	393957
AT801-JD390930	390930
AT801-JD PT9334	PT9334

AIR FILTER ELEMENT

REPLACES: Tecumseh
LEV100 LEV115 LEV120
MOQ: 100



Antanker No.	OEM No.
AT801-TCLEV100-00	36905
AT801-TCLEV120-00	36745

AIR FILTER ELEMENT

REPLACES: Tecumseh
LEV90 LEV100
LEV115 LV148EA
MOQ: 100



Antanker No.	OEM No.
AT801-TCLEV90 -00	33270234

AIR FILTER ELEMENT

REPLACES: Tecumseh
HM-80 HM70 HM100
MOQ: 100



Antanker No.	OEM No.
AT801-TCHM80-00	34700b
AT801-TCHM70-00	34200A
AT801-TCHM100-00	34200B

AIR FILTER ELEMENT

REPLACES: Tecumseh
HM70 HM80
TVM195 HXL840
MOQ: 100



Antanker No.	OEM No.
AT801-TCHM70-00	33268

AIR FILTER ELEMENT

REPLACES: Tecumseh
TVS75, TVS90, LAV30 thru LAV50
MOQ: 100



Antanker No.	OEM No.
AT801-TVS75-00	33006

AIR FILTER ELEMENT

REPLACES: Tecumseh
Tvs105 Hs40 Hs50
Hh60 Hh70
MOQ: 100



Antanker No.	OEM No.
AT801-TCTVS105-00	34782A 34782B 34782

AIR FILTER ELEMENT
REPLACES: Tecumseh

V40 thru V70 HH70 HM70

HM80 H50 thru 70

TVM125 thru 140

MOQ: 100


Antanker No.	OEM No.
AT801-TMV40-00	31700

AIR FILTER ELEMENT
REPLACES: Tecumseh

TNT100, TNT120

TVS100

MOQ: 100


Antanker No.	OEM No.
AT801-TNT100-00	33896
AT801-TVS100-00	19-1383

AIR FILTER ELEMENT
REPLACES: Tecumseh Rotary Oregon

TVW140 TVW170

TVW195 TVW220

MOQ: 100


Antanker No.	OEM No.
AT801-TVW140-00	34910 - TECUMSEH
AT801-TVW170-00	2783 - ROTARY
AT801-TVW195-00	30-118 - OREGON

AIR FILTER ELEMENT
REPLACES: Tecumseh

LAV40 LAV50 H30 H35

H40 H50 H70 HH60 HH70

HM100 HS40 HS50 TVM140

MOQ: 100


Antanker No.	OEM No.
AT801-LAV40-00	29931

AIR FILTER ELEMENT
REPLACES: Echo

PB6000 PB4600

MOQ: 100


Antanker No.	OEM No.
AT801-ECPB6000-00	130305-08360

AIR FILTER ELEMENT
REPLACES: Tecumseh

OHV110, OHV115, OHV125

OHV130, OHV150 OHV155

OHV165, OHV17 and OHV175, OHV16,

MOQ: 100


Antanker No.	OEM No.
AT801-OHV110-00	36356

AIR FILTER ELEMENT
REPLACES: Echo

SRM2400

MOQ: 100


Antanker No.	OEM No.
AT801-ECSRM2400-00	130310-51830

AIR FILTER ELEMENT
REPLACES: Echo

PB-770H PB-770T

MOQ: 100


Antanker No.	OEM No.
AT801-ECPB-770H-00	A226000410
AT801-ECPB-770T-00	A226000600

AIR FILTER ELEMENT
REPLACES: Echo

SRM266 SRM280 BRD280 PE280

PPT280 PB251 PB255 PB265L

MOQ: 100


Antanker No.	OEM No.
AT801-ECSRM266-00	A226000351

AIR FILTER ELEMENT
REPLACES: Echo

GT2000 GT2400

MOQ: 100


Antanker No.	OEM No.
AT801-ECGT2000-00	130310-54130
AT801-ECGT2400-00	

AIR FILTER ELEMENT
REPLACES: Echo

400 500 600 700

MOQ: 100

Antanker No.
OEM No.

AT801-EC400-00

A226000032

AIR FILTER ELEMENT
REPLACES: Echo

CS-4400 CS-5000 CS-6700

MOQ: 100

Antanker No.
OEM No.

AT801-ECCS440-00

13030039730

AIR FILTER ELEMENT
REPLACES: Kubota

MOQ: 100

Antanker No.
OEM No.

AT801-KU16667-11080

16667-11080

AIR FILTER ELEMENT
REPLACES: Donaldson

FR3988

MOQ: 100

Antanker No.
OEM No.

AT801-DOFR3988

P822768

AIR FILTER ELEMENT
REPLACES: Donaldson

MOQ: 100

Antanker No.
OEM No.

AT801-DOP822769

P822769

AIR FILTER ELEMENT
REPLACES: Redmax

EB 7000 EBZ 8000 EBZ 8001

MOQ: 100

Antanker No.
OEM No.

AT801-REB-00

AIR FILTER ELEMENT
REPLACES: Echo

ES-2100 GT-1100

PE-231 SRM-210i

HC-150 EDR-260

MOQ: 100

Antanker No.
OEM No.

AT801-ECES210-00

A226001410

AIR FILTER ELEMENT
REPLACES: Echo

CS-4400 CS-510 CS-510EVL

MOQ: 100

Antanker No.
OEM No.

AT801-ECCS4400-00

13031338331

AIR FILTER ELEMENT
REPLACES: Kubota

G4200 G5200 G6200 B1500 B1750-B7100

MOQ: 100

Antanker No.
OEM No.

AT801-KUG420-00

15231-43560

AT801-KUG620-00

15231-43560-1

AT801-KUB175-00

15231-43560-2

AIR FILTER ELEMENT
REPLACES: Kubota

B1VPD7397 B1610 B2100

B2710 2910 B3030 B7500

MOQ: 100

Antanker No.
OEM No.

AT801-KUB1VP-00

6C060-99410

AIR FILTER ELEMENT
REPLACES: Donaldson

FR3704 FR3705

MOQ: 100

Antanker No.
OEM No.

AT801-DOFR3704

P822858

AIR FILTER ELEMENT
REPLACES: Wacker

BTS 930 BTS 935

MOQ: 100


Antanker No.	OEM No.
AT801-WCBTS930	0108076
AT801-WCBTS935	0108077

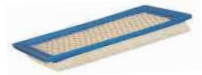
AIR FILTER ELEMENT
REPLACES: Wacker

BS500 BS600 BS700

MOQ: 100


Antanker No.	OEM No.
AT801-WBS500	95254 00114792

AIR FILTER ELEMENT
REPLACES: Vanguard

MOQ: 100


Antanker No.	OEM No.
AT801-VA491384	491384
AT801-VA0140	0140-3351
AT801-VA100960603	100960603

AIR FILTER ELEMENT
REPLACES: Generac

0485-0, 0485-1, 0486-0, 0487-0, 0503-0, 0503-1

MOQ: 100


Antanker No.	OEM No.
AT801-GE078601	78601GS 078601

AIR FILTER ELEMENT
REPLACES: MTD

4P90,178LU,CC760

MOQ: 100


Antanker No.	OEM No.
AT801-MTD4P90-00	951-12260

AIR FILTER ELEMENT
REPLACES: Club Car

MOQ: 100


Antanker No.	OEM No.
AT801-DCS101-00	1015426

AIR FILTER ELEMENT
REPLACES: Onan Microlite

KYD 50 Hz KYD 60 Hz KY 50 Hz

MOQ: 100


Antanker No.	OEM No.
AT801-ONKYD50-00	140-3280

AIR FILTER ELEMENT
REPLACES: ICS TARGET

603GC 613GC 633GC 680GC

MOQ: 100


Antanker No.	OEM No.
AT801-ICS603GC-00	ICS 71752
AT801-ICS633GC-00	TARGET 16823

AIR FILTER ELEMENT
REPLACES: MTD

OHV engine 350,450,550

MOQ: 100


Antanker No.	OEM No.
AT801-MTD350-00	951-10298 751-10298

FOAM AIR FILTER
REPLACES: Lawn-Boy

602016

"C" and "D" series engines

MOQ: 100

Antanker No.
OEM No.

AT801-LB602016-00

30-053

AIR FILTER ELEMENT
REPLACES: Lawn-Boy

LAF-117

MOQ: 100

Antanker No.
OEM No.

AT801-LBLAF117-00

607580

FOAM AIR FILTER
REPLACES: Shindaiwa

EB8510 EB8510RT

MOQ: 100

Antanker No.
OEM No.

AT801-EB851-00

68900-82120

AIR FILTER ELEMENT
REPLACES: Lawn-Boy

10928 11002 11003

Silver Pro 10247

MOQ: 100

Antanker No.
OEM No.

AT801-LB10928-00

95-5574

AIR FILTER ELEMENT
REPLACES: Mountfield

GGP RM45, SV 150, RV 150

MOQ: 100

Antanker No.
OEM No.

AT801-MFRM45-00

 185501470
1111-9169-01

AIR FILTER ELEMENT
REPLACES: Lombardini

15LD Range

MOQ: 100

Antanker No.
OEM No.

AT801-LOM15LD-00

2175-129

AIR FILTER ELEMENT
REPLACES: Hatz

1B20, 1B30, 27, 40, 50,

BS600, 1B20V, 1B130V

MOQ: 100

Antanker No.
OEM No.

AT801-HZ1B20-00

50426000.1001

AIR FILTER ELEMENT
REPLACES: Lombardini

15LD315 15LD350H

MOQ: 100

Antanker No.
OEM No.

AT801-LOM315-00

2175173

AT801-LOM350H-00

2175176

Air Filter
REPLACES: Stihl

MS170 MS180

MS017 MS018

MOQ: 50

Antanker No.
OEM No.

AT801-MS170-00

1130 124 0800

AIR FILTER ELEMENT
REPLACES: Partner

K750

MOQ: 100

Antanker No.
OEM No.

AT801-PTK750-00

506 36 71-01

Air Filter

REPLACES: Stihl

MS240 MS260

MOQ: 50



Antanker No.

OEM No.

AT801-MS240-00

1121 120 1617

Air Filter

REPLACES: Stihl

MS340

MS360

MOQ: 50



Antanker No.

OEM No.

AT801-MS290-00

1125 120 1612

Air Filter

REPLACES: Stihl

MS440 MS460

MS660

MOQ: 50



Antanker No.

OEM No.

AT801-MS440-00

0000 120 1654

Air Filter

REPLACES: Stihl

MS210 MS211

MS230 MS250

STENS 605-687

MOQ: 100



Antanker No.

OEM No.

AT801-MS210-00

1123 120 1612

Air Filter

REPLACES: Stihl

FS38 FS45

FS46 FS55

HS45 FC55

HL45 FS55T

MOQ: 100



Antanker No.

OEM No.

AT801-FS38-00

4140 124 2800

Air Filter

REPLACES: Stihl

MS210

MS230

MS250

MOQ: 50



Antanker No.

OEM No.

AT801-MS230-00

1123 160 1650

Air Filter

REPLACES: Stihl

MS290 MS310

MS390

MOQ: 50



Antanker No.

OEM No.

AT801-MS290-00

1127 120 1621

Air Filter

REPLACES: Stihl

MS380

MS381

MOQ: 50



Antanker No.

OEM No.

AT801-MS380-00

1119 120 1604

Air Filter

REPLACES: Stihl

MS210

MS230

MS250

MOQ: 50



Antanker No.

OEM No.

AT801-MS250-00

8467810000

Air Filter

REPLACES: STIHL

STIHL MS380

MOQ: 100



Antanker No.

OEM No.

AT801-MS380-00

537024001

Air Filter
REPLACES: Stihl

FS120 FS200

FS250 FS300

FS350 FS450

FS480

MOQ: 100

Antanker No.
OEM No.

AT801-FS120-00

4134 141 0300

Air Filter
REPLACES: Stihl

BG75 FC75

FC85 FS75

FS80 FS85

FS85R HL75K

HS80 HS85

MOQ: 100

Antanker No.
OEM No.

AT801-FS80-00

4133 124 2800

Air Filter
REPLACES: Stihl

FS 240 C-E

FS 260 C-E

MOQ: 100

Antanker No.
OEM No.

AT801-FS240CE-00

41471410300

Air Filter
REPLACES: Stihl

HS81R HS81RC

HS81T HS81TC

HS86R HS86T

MOQ: 100

Antanker No.
OEM No.

AT801-HS81R-00

4237 141 0300

Air Filter
REPLACES: Stihl

FS 40(C) 50(C)

56C 56RC 50L 56(R)

70C 70RC KM 56 56R

56C 56RC HT 56C

MOQ: 100

Antanker No.
OEM No.

AT801-FS56RC-00

4144-124-2800

Air Filter
REPLACES: Stihl

FS100 FS130

HL90 HL95

KM100

MOQ: 100

Antanker No.
OEM No.

AT801-FS130-00

4180-120-1800

Air Filter
REPLACES: Husqvarna

K960

MOQ: 100

Antanker No.
OEM No.

AT801-HUSK960-00

5063470-02

Air Filter
REPLACES: Stihl

FS80 Trimmers

MOQ: 100

Antanker No.
OEM No.

AT801-FS80-00

4112 124 0801

Air Filter
REPLACES: Stihl

TS400

MOQ: 100

Antanker No.
OEM No.

AT801-TS400-00

4223 141 0600

Air Filter
REPLACES: Stihl

Stihl TS400

MOQ: 100

Antanker No.
OEM No.

AT801-TS400-00

4223 141 0300

Air Filter
REPLACES: Stihl

TS700 TS800

MOQ: 100

Antanker No.
OEM No.

AT801-TS700-00

4224 140 1801

Air Filter
REPLACES: Stihl

TS460 TS510

TS760

MOQ: 100

Antanker No.
OEM No.

AT801-TS460-00

42211404400

42211410300

Air Filter
REPLACES: Stihl

ST145 ST385

ST155 ST485

ST175 HB100

ST185 C1200

ST285 F1400

DC1600

MOQ: 100

Antanker No.
OEM No.

AT801-ST285-00

D98760B D98760

Air Filter
REPLACES: Stihl

BR320 BR340

BR400 BR420

MOQ: 100

Antanker No.
OEM No.

AT801-BR320-00

4203 141 0301

Air Filter
REPLACES: Stihl

SR320 SR400

BR320 BR320L

BR400

MOQ: 100

Antanker No.
OEM No.

AT801-BR320L-00

4203-141-0300

Air Filter
REPLACES: Stihl

TS410

TS420

MOQ: 100

Antanker No.
OEM No.

AT801-TS410-00

4238 140 4401

Air Filter
REPLACES: Stihl

TS700

TS800

MOQ: 100

Antanker No.
OEM No.

AT801-TS700-01

4224 141 0300

Air Filter
REPLACES: Stihl

550

MOQ: 100

Antanker No.
OEM No.

AT801-STL550-00

27-12081

Air Filter
REPLACES: GB

GB 11035 TS50

NAPA 7-02718

TIHL TS08

TS350AVE

TS350 TS360

old style TS510

MOQ: 100

Antanker No.
OEM No.

AT801-TS50-00

4201 140 1805

4201 141 0300

Air Filter
REPLACES: Stihl

TS410

TS420

MOQ: 100

Antanker No.
OEM No.

AT801-TS400-01

4223-140-1800

Air Filter
REPLACES: Stihl

FS74 FS76

FC72 HS72

HS74 HS76

BG72

MOQ: 100

Antanker No.
OEM No.

135263300

AT801-HS74-00

4133 124 1500

8716 - ROTARY

Air Filter
REPLACES: Stihl

HS81 HS86R

MOQ: 100

Antanker No.
OEM No.

AT801-HS81-00

4237-120-1800

Air Filter
REPLACES: Husqvarna

51

55

MOQ: 100

Antanker No.
OEM No.

AT801-HUS51-00

503608301

Air Filter
REPLACES: Husqvarna

136 137

141 142

36 41

MOQ: 100

Antanker No.
OEM No.

AT801-HUS142-00

530 02 98-11

Air Filter
REPLACES: Husqvarna

365

371

372

MOQ: 100

Antanker No.
OEM No.

AT801-HUS365-00

503 81 80-01

Air Filter
REPLACES: Stihl

560

MOQ: 100

Antanker No.
OEM No.

AT801-STL560-00

Stihl 42481410300B

Air Filter
REPLACES: Stihl

FS85R HS80

HS85

MOQ: 100

Antanker No.
OEM No.

AT801-FS85R-00

4137-124-1500

Air Filter
REPLACES: Stihl

BR500 BR550

BR600

MOQ: 100

Antanker No.
OEM No.

AT801-BR500-00

4282 141 0300

Air Filter
REPLACES: Stihl

BR320

BR400

MOQ: 100

Antanker No.
OEM No.

AT801-BR400-00

4203-141-0310A

Air Filter
REPLACES: Stihl

HS81T

MOQ: 100

Antanker No.
OEM No.

AT801-HS81T-00

4237-141-0300

Air Filter
REPLACES: Stihl

HS80 HS85

MOQ: 100

Antanker No.
OEM No.

AT801-HS85-00

41371242800

Air Filter

REPLACES: Husqvarna
K650
K700
MOQ: 100



Antanker No.	OEM No.
AT801-K650-00	5062242-01

Air Filter

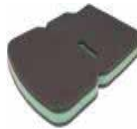
REPLACES: Husqvarna
Hus. K750
MOQ: 100



Antanker No.	OEM No.
AT801-HUS312-00	Partner 5063875

Air Filter

REPLACES: Husqvarna
3120K
MOQ: 100



Antanker No.	OEM No.
AT801-HUS312-00	506268601

Air Filter

REPLACES: Husqvarna
HUSQVARNA K950
K960 Active
MOQ: 100



Antanker No.	OEM No.
AT801-HUS950-01	506 23 19-01

Air Filter

REPLACES: Husqvarna
K1250
MOQ: 100



Antanker No.	OEM No.
AT801-HUS125-00	Hus.

Air Filter

REPLACES: Husqvarna
P3314 P3416
P3516PR P3816
P4018
MOQ: 100



Antanker No.	OEM No.
AT801-HUSP33-00	530057925

Air Filter

REPLACES: Husqvarna
61 66
181 266
281 288
MOQ: 100



Antanker No.	OEM No.
AT801-HUS61-00	501 80 71-01

Air Filter

REPLACES: Husqvarna
340 345 346
350 351
MOQ: 100



Antanker No.	OEM No.
AT801-HUS353-00	537 02 40-02

Air Filter

REPLACES: Husqvarna
445 450
MOQ: 100



Antanker No.	OEM No.
AT801-HUS450-00	544 08 08-02

Air Filter

REPLACES: Husqvarna
K950
K1250
MOQ: 100



Antanker No.	OEM No.
AT801-K1250-00	506 23 18-02

Air Filter

REPLACES: Husqvarna
K760
MOQ: 100



Antanker No.	OEM No.
AT801-HUS760-00	574362301

AIR FILTER ELEMENT

REPLACES: Husqvarna
K950 K1250 Active
MOQ: 100



Antanker No.	OEM No.
AT801-HUS950-00	506 23 18-02

Air Filter

REPLACES: Husqvarna
39R 240

245 clearing saw s

MOQ: 100



Antanker No.	OEM No.
AT801-HUS245-00	JONSERED 20412045 JONSERED 2050 Husqvarna 503413201

AIR FILTER ELEMENT

REPLACES: Husqvarna
K970

MOQ: 100



Antanker No.	OEM No.
AT801-HUS970-00	510244103 11281-680

Air Filter

REPLACES: Husqvarna
225 BX 225 HBV

225 L 225 RD

227 L 227 R

232 L 232 R

235 R 240 L

225 AI 25 225 H60

225 H75 225BV

MOQ: 100



Antanker No.	OEM No.
AT801-HUS232R-00	HUS 502198602

Air Filter

REPLACES: Husqvarna
236 236E

240 240E

MOQ: 100



Antanker No.	OEM No.
AT801-HUS236-00	545061801

Air Filter

REPLACES: Husqvarna
40; 45; 49

MOQ: 200



Antanker No.	OEM No.
AT801-HUS45-00	50222 5901 5901

Air Filter

REPLACES: Husqvarna
HUSQVARNA K750

MOQ: 100



Antanker No.	OEM No.
AT801-HUS-K75001	

Air Filter

REPLACES: Husqvarna
240EPA 240R

245R 245REPA

MOQ: 100



Antanker No.	OEM No.
AT801-HUS240R-00	HUS 502115801

Air Filter

REPLACES: Husqvarna
K750

MOQ: 100



Antanker No.	OEM No.
AT801-HUSK750-00	HUS 506 36 72-02 HUS 544 18 16-01 PAR 506 36 72-01 PAR 506 36 72-02 PAR 544 18 16-01

Air Filter

REPLACES: Husqvarna
MOQ: 100



Antanker No.	OEM No.
AT801-HUS574-00	HUS 574668001

Air Filter

REPLACES: Husqvarna
123; 223 ; 322

323 ; 325; 326

MOQ: 100



Antanker No.	OEM No.
AT801-HUS223-00	537186301

Air Filter
REPLACES: Husqvarna

 36 142
 41 136
 141 137

MOQ: 100


Antanker No.	OEM No.
AT801-HUS141-00	530 02 98-11

Air Filter
REPLACES: Husqvarna

 K51
 K55

MOQ: 100


Antanker No.	OEM No.
AT801-HUSK55-00	50389810 503898101

Air Filter
REPLACES: Husqvarna

 BG45 BG46
 BG55 BG65
 BG85 BR45C
 SH55 SH85

MOQ: 100


Antanker No.	OEM No.
AT801-BG45-00	42291201800

Air Filter
REPLACES: Husqvarna

576XP 570XP

MOQ: 100


Antanker No.	OEM No.
AT801-HUS576-00	HUS 576486304

Air Filter
REPLACES: POULAN

 1900 1950
 2025 2055
 2075

MOQ: 100


Antanker No.	OEM No.
AT801-PL-1900	530-037793

Air Filter
REPLACES: Husqvarna

 K750
 PARTNER K750

MOQ: 100


Antanker No.	OEM No.
AT801-HUS--K75000	HUS 544181602

Air Filter
REPLACES: HYSTER

HY-94312

MOQ: 100


Antanker No.	OEM No.
AT801-HY-94312	1494312

Air Filter
REPLACES: Husqvarna

 ZENOAH HT7510
 HT6010

MOQ: 100


Antanker No.	OEM No.
AT801-ZEH-HT7510	HT7510

Air Filter
REPLACES: TORO

 TORO
 GTS
 2-cycle engines
 engines

MOQ: 100


Antanker No.	OEM No.
AT801-TOR-GTS	81-0100

Air Filter
REPLACES: MTD

 161-VH 170
 170-T0A
 170-V0A

MOQ: 100


Antanker No.	OEM No.
AT801-MTD-161VH	751-10794 951-10794

Air Filter
REPLACES: ECHO
PB400

MOQ: 100

Antanker No.	OEM No.
AT801-EC-PB400	130-310-0076-0

Air Filter
REPLACES: ECHO
CS3000 - CS3400

MOQ: 100

Antanker No.	OEM No.
AT801-EC-CS300	13031039132

Air Filter
REPLACES: SABO
SABO 12982

MOQ: 100

Antanker No.	OEM No.
AT801-SAB-12982	12576 247-168-002

Air Filter
REPLACES: SV
SV35 SV40
SV150

MOQ: 100

Antanker No.	OEM No.
AT801-SV35-00	18550011 18550010

Air Filter
REPLACES: EMAK
446 BP
446 BP ERGO

MOQ: 100

Antanker No.	OEM No.
AT801-EMK-446BP	61120018

AIR CLEANER ELEMENT
REPLACES: Honda
GX240 GX270
GX340 GX390

MOQ: 100 (Foam, Semi dry)

Antanker No.	OEM No.
AT802-HD240-00	17211-ZE2-000

Air Filter
REPLACES: Stihl
ST145 155

 175 180
185 C1200
DC1600 F1400
HB100 HLT15

MOQ: 100

Antanker No.	OEM No.
AT801-HML-ST145	Homelite 98760 D98760 D98760A

Air Filter
REPLACES: Lawn-Boy
Law n-Boy
Lesco 050108

MOQ: 100

Antanker No.	OEM No.
AT801-LB-050108	609493

Air Filter
REPLACES: ACME
ACME LGA 184
LOMBARDI LGA225

MOQ: 300

Antanker No.	OEM No.
AT801-LB-LGALGA225	ACME 359129300 LOMBARDI 2175.156

Air Filter
REPLACES: ECHO
ECHO PB400E

MOQ: 100

Antanker No.	OEM No.
AT801-EC-PB40E	130-317-0076-0

Air Filter
REPLACES: PARTNER
K1250
K1250 Active

MOQ: 100

Antanker No.	OEM No.
AT801-PTN-K1250	5062687-01

AIR CLEANER ELEMENT

REPLACES: Honda
GX120 GX160 GX200
MOQ: 100



(Foam, Semi dry)

Antanker No.	OEM No.
AT802-HD120-00	17211-ZE1-000

AIR CLEANER ELEMENT

REPLACES: Honda
GX120 GX160 GX200
GX240 GX270
MOQ: 100



(Oil bath)

Antanker No.	OEM No.
AT802-HD120-01	17403-ZE1-810

AIR CLEANER ELEMENT

REPLACES: Honda
GX120 GX160 GX200
MOQ: 100



14*7.5*1.5cm (For generator, black)

Antanker No.	OEM No.
AT802-HD120-02	17211-ZB2-000

AIR CLEANER ELEMENT

REPLACES: Honda
G100
MOQ: 100



Antanker No.	OEM No.
AT802-HDG100-00	17211-896-000

AIR CLEANER ELEMENT

REPLACES: Honda
GX240 GX270
GX340 GX390
MOQ: 100



15.5*11*1.5cm (For generator, black)

Antanker No.	OEM No.
AT802-HD240-02	17211-899-000

AIR CLEANER ELEMENT

REPLACES: Honda
GX240 GX270
GX340 GX390
MOQ: 100



15.5*11*1.5cm (For generator, gray)

Antanker No.	OEM No.
AT802-HD240-03	17211-899-000

AIR CLEANER ELEMENT

REPLACES: Honda
GX120 GX160 GX200
MOQ: 100



14*7.5*1.5cm (For generator, gray)

Antanker No.	OEM No.
AT802-HD120-03	17211-ZB2-000

AIR CLEANER ELEMENT

REPLACES: Honda
GX120 GX160 GX200
MOQ: 100



13.3*7.8*2.4cm (For generator, black)

Antanker No.	OEM No.
AT802-HD120-04	17211-ZB2-000

AIR CLEANER ELEMENT

REPLACES: Honda
GX25
MOQ: 100



Antanker No.	OEM No.
AT802-HD25-00	17211-Z0H-000

AIR CLEANER ELEMENT

REPLACES: Honda
GX35
MOQ: 100



Antanker No.	OEM No.
AT802-HD35-00	17211-Z0Z-000

AIR CLEANER ELEMENT

REPLACES: Mikasa
GX100
MOQ: 100



(For mikasa rammer, yellow and black)

Antanker No.	OEM No.
AT802-MKS100-00	

AIR CLEANER ELEMENT

REPLACES: Mikasa
MOQ: 100



(For mikasa rammer)

Antanker No.	OEM No.
AT802-MKS-00	3660-10080

OUTER FILTER

REPLACES: Honda
GX120 GX160 GX200
GX240 GX270
GX340 GX390
MOQ: 100



(black)

Antanker No.	OEM No.
AT803-HD120-00	17218-ZE0-821
AT803-HD340-00	17218-ZE3-000

AIR FILTER ELEMENT

REPLACES: Tecumseh
92900 93900 95900 96500
96900 98900 9b902 10a900
MOQ: 100



Antanker No.	OEM No.
AT802-TC929-00	35705

OUTER FILTER

REPLACES: Honda
GX120 GX160 GX200
GX240 GX270
GX340 GX390
MOQ: 100



(yellow)

Antanker No.	OEM No.
AT803-HD120-01	17218-ZE0-821
AT803-HD340-01	17218-ZE3-000

OUTER FILTER

REPLACES: Honda
GXV160
MOQ: 100



(black)

Antanker No.	OEM No.
AT803-HDXV160-00	17218-ZE7-W02

OUTER FILTER

REPLACES: Honda
GXV160
MOQ: 100



(yellow)

Antanker No.	OEM No.
AT803-HDXV160-01	17218-ZE7-W00 17218-ZE7-W02

OUTER FILTER

REPLACES: Honda
GX620 GX670
MOQ: 100



Antanker No.	OEM No.
AT803-HD620-00	17218-ZJ1-840

PRE-FILTER

REPLACES: Honda
GXV140
MOQ: 100



Antanker No.	OEM No.
AT803-HDXV140-00	17218-ZG9-M00

PRE-FILTER

REPLACES: Honda
GX100 GC135 GC160
GCV135 GCV160
MOQ: 100



Antanker No.	OEM No.
AT803-HD100-04	17211-ZL8-003

PRE-FILTER

REPLACES: Honda
GCV520 GCV530
MOQ: 100



Antanker No.	OEM No.
AT803-HDCV520-00	17211-ZOA-810

PRE-FILTER

REPLACES: B&S
JD M84655
MOQ: 100



Antanker No.	OEM No.
	271271
AT803-BSM846-00	93105
	4108304

PRE-FILTER

REPLACES: Honda
G200
MOQ: 100



Antanker No.	OEM No.
AT803-HDG200-02	17218-883-W21

PRE-FILTER

REPLACES: B&S
21A900 21B900
MOQ: 100



Antanker No.	OEM No.
AT803-BS21A-21B	697292

PRE-FILTER

REPLACES: B&S Honda
B&S 5km
G200
MOQ: 100



Antanker No.	OEM No.
	494511
AT803-BS494511	494511S
AT803-HDG200	17211-883-W20

PRE-FILTER

REPLACES: B&S
MOQ: 100



Antanker No.	OEM No.
AT803-BS692-520	692520

PRE-FILTER

REPLACES: B&S
100602 & 100800
MOQ: 100



Antanker No.	OEM No.
AT803-BS100-00	793676

PRE-FILTER

REPLACES: B&S
491435S
MOQ: 100



Antanker No.	OEM No.
AT803-BS491435S	491435S

PRE-FILTER

REPLACES: B&S
273185S
MOQ: 100



Antanker No.	OEM No.
AT803-BS273185S	273185S

PRE-FILTER

REPLACES: B&S
272403 272403S 4142
MOQ: 100



Antanker No.	OEM No.
AT803-BS27-00	496894S

PRE-FILTER

REPLACES: B&S
MOQ: 100



Antanker No.	OEM No.
AT803-BS492889	492889

PRE-FILTER

REPLACES: B&S JOHN DEERE
JD M96098



MOQ: 100

Antanker No.	OEM No.
AT803-BSM960-00	270782
	271271
	272490
	272490S
	4111
	JD M84655
	LESCO 050632
	WOODS 70302

PRE-FILTER

REPLACES: Generac
MOQ: 100



Antanker No.	OEM No.
AT803-GN191-00	78602
AT803-GN220-00	078602

PRE-FILTER

REPLACES: B&S
MOQ: 100



Antanker No.	OEM No.
AT803-BS272477	

PRE-FILTER

REPLACES: B&S
MOQ: 100



Antanker No.	OEM No.
AT803-BS710-267	710267

PRE-FILTER

REPLACES: B&S
MOQ: 100



Antanker No.	OEM No.
AT803-BS796254	796254

PRE-FILTER

REPLACES: B&S
MOQ: 100



Antanker No.	OEM No.
AT803-BS271794S	271794S

PRE-FILTER

REPLACES: B&S
710268
MOQ: 100



Antanker No.	OEM No.
AT803-BS710268	710268

PRE-FILTER

REPLACES: B&S
MOQ: 100



(green)

Antanker No.	OEM No.
AT803-BS695303	695303

PRE-FILTER

REPLACES: B&S
MOQ: 100



Antanker No.	OEM No.
AT803-BS399-039	399039

PRE-FILTER

REPLACES: KOHLER
K241 and K582



MOQ: 100

Antanker No.	OEM No.
	Tecumseh 32906
AT803-KLK241-00	Kohler 237421S, 237421
	John Deere M45800
	Gravely 20277600
AT803-KLK582-00	Gravely 019332
	Lesco 050622

PRE-FILTER

REPLACES: B&S
273638



MOQ: 100

Antanker No.	OEM No.
AT803-BS273638	273638

PRE-FILTER

REPLACES: Kohler
CV 17 - CV25, CV675 - CV740,
K341, M10 - M16



MOQ: 100

Antanker No.	OEM No.
AT803-KLCV17-03	45-083-01

PRE-FILTER

REPLACES: B&S
MOQ: 100



Antanker No.	OEM No.
AT803-BS697015	697015

PRE-FILTER

REPLACES: B&S
MOQ: 100



(yellow)

Antanker No.	OEM No.
AT803-BS793685	793685

PRE-FILTER

REPLACES: Kohler
K321 K341 K482 K582



MOQ: 100

Antanker No.	OEM No.
AT803-KLK321-02	277593

PRE-FILTER

REPLACES: Kohler
MOQ: 100



Antanker No.	OEM No.
AT803-KL32-083-08-S	32-083-08-S

PRE-FILTER

REPLACES: Kohler,
John Deere, Gravely, Ingersoll
K341



MOQ: 100

Antanker No.	OEM No.
	KL45-083-01
	ET12340
AT803-KLK341-00	GV34768
	GV46346
	IG C-20405

PRE-FILTER

REPLACES: Kohler
MOQ: 100



Antanker No.	OEM No.
AT803-KL1208308	12 083 08

PRE-FILTER

REPLACES: Kohler
MOQ: 100



Antanker No.	OEM No.
AT803-KL3208305-S	32 083 05-S

PRE-FILTER

REPLACES: Kawasaki
FH430V FH480V FH541V
MOQ: 100



Antanker No.	OEM No.
AT803-KSFH430V-01	11013-7025

PRE-FILTER

REPLACES: Kohler
MOQ: 100



Antanker No.	OEM No.
AT803-KL12-083-12	12-083-12

PRE-FILTER

REPLACES: Kawasaki
FE120D FE170D FD721D
MOQ: 100



Antanker No.	OEM No.
AT803-KSFE120D-01	11013-2133

PRE-FILTER

REPLACES: Kohler
SV470S SV610
MOQ: 100



Antanker No.	OEM No.
AT803-KL2008303-S	20 083 03-S

PRE-FILTER

REPLACES: John Deere Kawasaki
MOQ: 100



Antanker No.	OEM No.
AT803-JDM137555	M137555
AT803-JD11013-7001	11013-7001

PRE-FILTER

REPLACES: Kawasaki
FR651V FR691V FS481V
FS541V FS600V FS651V
FS691V FS730V FX600V
MOQ: 100



Antanker No.	OEM No.
AT803-KSFR651V-00	11013-7046
AT803-KSFS651V-00	100-822

PRE-FILTER

REPLACES: Tecumseh
H60-75556W
MOQ: 100



Antanker No.	OEM No.
AT801-T34703	34703

PRE-FILTER

REPLACES: Kawasaki
MOQ: 100



Antanker No.	OEM No.
AT801-KS11013-2020	11013-2020

PRE-FILTER

REPLACES: Tecumseh
MOQ: 100



Antanker No.	OEM No.
AT801-T34783	34783

PRE-FILTER

REPLACES: Kawasaki John Deere
MOQ: 100



Antanker No.	OEM No.
AT803-KW11013-7016	11013-7016
AT803-KW11013-7034	11013-7034
AT803-JDMIU10999	MIU10999

PRE-FILTER

REPLACES: Tecumseh
OH95 OHH45 OHH50 VLV50
OVRM60 TC300 TVS75 TVS90
MOQ: 100



Antanker No.	OEM No.
AT803-TCOH95-01	36634
AT803-TCOHH45-01	740061

PRE-FILTER

REPLACES: Tecumseh
MOQ: 100



Antanker No.	OEM No.
AT803-T36745	36745

PRE-FILTER

REPLACES: Tecumseh
OHV 110, OHV 115, OHV 125,
OHV 130, OHV 150
OHV 155, OHV 16, OHV 165,
OHV 17 and OHV 175



MOQ: 100

Antanker No.	OEM No.
AT803-TCOHV 110-01	36356

PRE-FILTER

REPLACES: Kawasaki, John Deere
FC150V-E17 E18 E19



MOQ: 100

Antanker No.	OEM No.
AT803-KWES17-00	11013-2119
AT803-KWES18-00	11013-2174
AT803-KWES19-00	JD M77555

PRE-FILTER

REPLACES: Poulan
25DA



MOQ: 100

Antanker No.	OEM No.
AT803-PL25DA-00	520023369

PRE-FILTER

REPLACES: Tecumseh
ECV 100 LEV90 LEV100 LEV115
OVRM60 TC300 TVS75 TVS90



MOQ: 100

Antanker No.	OEM No.
AT801-TCECV 100-00	35435 32435

PRE-FILTER

REPLACES: Shindaiwa
EB8510 EB8510RT



MOQ: 100

Antanker No.	OEM No.
AT803-SHEB851-00	68900-8232
AT803-SHEB851RT-00	68900-82320

PRE-FILTER

REPLACES: ICS
603GC 613GC 633GC 680GC



MOQ: 100

Antanker No.	OEM No.
AT803-ICS603-00	73336

PRE-FILTER

REPLACES: Ryobi
Ryan 261,262,263,B260,B270



MOQ: 100

Antanker No.	OEM No.
AT803-RY261-00	610312
AT803-RY262-00	100111-1013657

PRE-FILTER

REPLACES: John Deere
LX288 LT166 LT170



MOQ: 100

Antanker No.	OEM No.
AT801-JDLX288-00	272490S

AIR CLEANER COVER

REPLACES: Honda
GX100



MOQ: 100

Antanker No.	OEM No.
AT804-HD100-00	17231-ZG0-000

PRE-FILTER

REPLACES: John Deere Kawasaki
LX172 LX176



MOQ: 100

Antanker No.	OEM No.
AT803-JDLX172-00	M137555
AT803-KWLX288-00	11013-7001

AIR CLEANER COVER

REPLACES: Honda
GX120 GX160 GX200



MOQ: 100

Antanker No.	OEM No.
AT804-HD120-00	17230-ZE0-820

AIR CLEANER COVER

REPLACES: Honda
GX35



MOQ: 100

Antanker No.	OEM No.
AT804-HD35-00	17231-Z0Z-000

ELBOW COMP.

REPLACES: Honda
GX240 GX270



MOQ: 100

(With base plate)

Antanker No.	OEM No.
AT805-HD240-00	17410-ZE2-020 17235-ZE2-820

AIR CLEANER COMP.

REPLACES: Honda
GX120 GX160
GX200



MOQ: 50

Antanker No.	OEM No.
AT806-HD120-00	

AIR CLEANER COMP.

REPLACES: Honda
GX240 GX270
GX340 GX390



MOQ: 50

Antanker No.	OEM No.
AT806-HD240-00	

AIR CLEANER AY

REPLACES: Robin
EY20



MOQ: 50

(STD)

Antanker No.	OEM No.
AT806-RBY20-00	227-32613-00

PRE-FILTER

REPLACES: Poulan
XXV 18, XXV 20



XXV 2300

MOQ: 100

Antanker No.	OEM No.
AT803-PLXXV 18-00	530-023791

PRE-FILTER

REPLACES: Redmax
EB7000 EB8000



MOQ: 100

Antanker No.	OEM No.
	T401282321
	T401282320
AT803-REB-01	544271601
	4012-82311
	T4012-82300

AIR CLEANER COVER

REPLACES: Honda

GX240 GX270

GX340 GX390

MOQ: 100



Antanker No.	OEM No.
AT804-HD240-00	17231-ZH9-820
AT804-HD340-00	17231-ZE3-W01

AIR CLEANER CASE COMP

REPLACES: Honda

GX35

MOQ: 100



Antanker No.	OEM No.
AT805-HD35-00	17220-Z0Z-000

ELBOW COMP.

REPLACES: Honda

GX160 GX200

MOQ: 100



(With base plate)

Antanker No.	OEM No.
AT805-HD160-00	17410-ZE1-020 17235-ZE1-831

AIR CLEANER AY

REPLACES: Robin
EH12

MOQ: 50



Antanker No.

OEM No.

AT806-RBH12-00

252-32711-10

WING NUTS

REPLACES: Honda

GX120 GX160 GX200

GX240 GX270

GX340 GX390

MOQ: 100



Antanker No.

OEM No.

AT807-HD120-00

90325-044-000

PACKING, ELBOW

REPLACES: Honda

GX120 GX160 GX200

GX240 GX270

GX340 GX390

MOQ: 100



Antanker No.

OEM No.

AT809-HD120-00

16271-ZE1-000

AT809-HD340-00

16271-ZE2-010

BREATHER TUBE

REPLACES: Robin

GX35

MOQ: 100



Antanker No.

OEM No.

AT808-HD35-00

15721-Z0Z-000

BREATHER TUBE

REPLACES: Honda

GX120 GX160 GX200

MOQ: 100



Antanker No.

OEM No.

AT808-HD120-00

15721-ZH8-000

AT808-HD270-00

15721-ZE2-780

AT808-HD340-00

12315-ZE3-840

ELBOW COMP.

REPLACES: Honda

GX340 GX390

MOQ: 100



(With base plate)

Antanker No.

OEM No.

AT805-HD340-00

17410-ZE3-010

17235-ZE3-000

AIR CLEANER COMP.

REPLACES: Honda

GX120 GX160 GX200

GX240 GX270

GX340 GX390

MOQ: 50



(For generator)

Antanker No.

OEM No.

AT806-HD120-01

17230-Z51-820

AIR CLEANER COMP.

REPLACES: Honda

GX100

MOQ: 50



Antanker No.

OEM No.

AT806-HD100-00

17220-Z0D-V00

AIR CLEANER AY

REPLACES: Robin

EY20

MOQ: 50



(FOAM)

Antanker No.

OEM No.

AT806-RBY20-01

227-32603-00

AIR FILTER ASSY.

REPLACES: Yanmar

L48 L70 L100

MOQ: 50



Antanker No.

OEM No.

AT806-YM170-00

714250-12560

MUFFLER

GROUP

MUFFLER ASSEMBLY
REPLACES: Honda

GX120 GX160

MOQ: 50


(with exhaust pipe)

Antanker No.	OEM No.	Model
AT901-HD120-00	18300-ZH8-840	GX120
AT901-HD160-00	18300-ZE1-900	GX160

MUFFLER ASSEMBLY
REPLACES: Honda

GX240 GX270

GX340 GX390

MOQ: 50


(without exhaust pipe)

Antanker No.	OEM No.	Model
AT901-HD240-00		GX240
AT901-HD270-00		GX270
AT901-HD340-00		GX340
AT901-HD390-00		GX390

MUFFLER ASSEMBLY
REPLACES: Honda

GXV160

MOQ: 50


Antanker No.	OEM No.	Model
AT901-HDXV160-00	18310-ZG9-J01	GXV160

MUFFLER COMP
REPLACES: Robin

EY20

MOQ: 50


Antanker No.	OEM No.	Model
AT901-RBY20-00	227-30101-01	EY20

MUFFLER COMP
REPLACES: Robin

EH12

MOQ: 50


Antanker No.	OEM No.	Model
AT901-RBH12-00	252-30401-01	EH12

MUFFLER ASSEMBLY
REPLACES: Honda

GX200

MOQ: 50


(with exhaust pipe)

Antanker No.	OEM No.	Model
AT901-HD200-00	18300-ZE1-900	GX200

MUFFLER ASSEMBLY
REPLACES: Honda

GX620 GX670

MOQ: 50


Antanker No.	OEM No.	Model
AT901-HD620-00	06183-ZJ1-820	GX620
AT901-HD670-00		GX670

MUFFLER ASSEMBLY
REPLACES: Honda

GX100

MOQ: 50


Antanker No.	OEM No.	Model
AT901-HD100-00		GX100

MUFFLER ASSEMBLY
REPLACES: Honda

G100

MOQ: 50


Antanker No.	OEM No.	Model
AT901-HDG100-00	18300-ZG0-U01	G100

MUFFLER ASSEMBLY
REPLACES: Yanmar

L48 L70

L100

MOQ: 50


Antanker No.	OEM No.	Model
AT901-YM170-00	114770-13550	L48
AT901-YM178-00	114870-13550	L70
AT901-YM186-00	114970-13550	L100

MUFFLER ASSY
REPLACES: Wacker

WM80

MOQ: 50


Antanker No.	OEM No.	Model
AT901-WM80-00	114770	WM80

MUFFLER ASSY
REPLACES: Yamaha

ET950

MOQ: 50


Antanker No.	OEM No.	Model
AT901-YMH950-00	7CE-E4710-00	ET950

MUFFLER COMP (STD)
REPLACES: Yanmar

GX120 GX160

GX200

MOQ: 50


(With exhaust pipe)

Antanker No.	OEM No.	Model
AT902-HD120-00	18310-ZE0-A20	GX120
AT902-HD160-00	18310-ZF1-000	GX160
AT902-HD200-00	18310-ZL0-000	GX200

MUFFLER COMP (STD)
REPLACES: Honda

GX240 GX270

GX340 GX390

MOQ: 50


(Roundness)

Antanker No.	OEM No.	Model
AT902-HD240-00	18310-ZE2-W00	GX240
AT902-HD270-00	18310-ZE2-W00	GX270
AT902-HD340-00	18310-ZE3-W00	GX340
AT902-HD390-00	18310-ZE3-003	GX390

MUFFLER ASSY
REPLACES: Honda

GXV160

MOQ: 50


(STD)

Antanker No.	OEM No.	Model
AT902-HDXV160-00	18310-Z1V-000	GXV160

MUFFLER COMP
REPLACES: Honda

GX25

MOQ: 50


Antanker No.	OEM No.	Model
AT902-HD25-00	18310-Z0H-000 18310-Z0H-800	GX25

MUFFLER COMP
REPLACES: Honda

GX35

MOQ: 50


Antanker No.	OEM No.	Model
AT902-HD35-00	18310-Z0Z-000	GX35

MUFFLER COMP
REPLACES: Honda

GX100 GCV135 GCV160

GC135 GC160

MOQ: 50


Antanker No.	OEM No.	Model
AT902-HD100-00	18310-ZM0-000	GX100
AT902-HDCV135-00	18310-ZM0-000	GCV135
AT902-HDCV160-00	18310-ZM0-000	GCV160
AT902-HDC135-00	18310-ZM0-000	GC135
AT902-HDC160-00	18310-ZM0-000	GC160

MUFFLER PROTECTOR
REPLACES: Honda

GX100

MOQ: 50


Antanker No.	OEM No.	Model
AT903-HD100-00	18321-Z0D-V00	GX100

MUFFLER PROTECTOR
REPLACES: Honda

GX120 GX160

GX200 GX240

GX270 GX340 GX390

MOQ: 50


Antanker No.	OEM No.	Model
AT903-HD120-00	18320-ZF1-H51	GX120
AT903-HD160-00	18320-ZF1-H01	GX160
AT903-HD200-00	18320-ZF1-H51	GX200
AT903-HD240-00	18320-ZE2-W01	GX240
AT903-HD270-00	18320-ZE2-W01	GX270
AT903-HD340-00	18320-ZE2-W61	GX340
AT903-HD390-00	18320-ZE2-W61	GX390

MUFFLER PROTECTOR
REPLACES: Honda

GXV160

MOQ: 50


Antanker No.	OEM No.	Model
AT903-HDXV160-00	18320-Z1V-000	GXV160

GASKET MUFFLER
REPLACES: Honda

GX120 GX160

GX200

MOQ: 100


(With asbestos, Loncin type)

Antanker No.	OEM No.	Model
AT904-HD120-01	18381-ZH8-800	GX120
AT904-HD160-01	18381-ZH8-800	GX160
AT904-HD200-01	18381-ZH8-800	GX200

MUFFLER GASKET
REPLACES: Honda

GX120 GX160

GX200

MOQ: 100


(With asbestos, Zongshen type)

Antanker No.	OEM No.	Model
AT904-HD120-00	18381-ZH8-800	GX120
AT904-HD160-00	18381-ZH8-800	GX160
AT904-HD200-00	18381-ZH8-800	GX200

MUFFLER GASKET
REPLACES: Honda

GX120 GX160

GX200

MOQ: 100


(Without asbestos, Zongshen type)

Antanker No.	OEM No.	Model
AT904-HD120-20	18381-ZH8-800	GX120
AT904-HD160-20	18381-ZH8-800	GX160
AT904-HD200-20	18381-ZH8-800	GX200

GASKET MUFFLER
REPLACES: Honda

GX120 GX160

GX200

MOQ: 100


(Without asbestos, Loncin type)

Antanker No.	OEM No.	Model
AT904-HD120-21	18381-ZH8-800	GX120
AT904-HD160-21	18381-ZH8-800	GX160
AT904-HD200-21	18381-ZH8-800	GX200

MUFFLER GASKET
REPLACES: Honda

GX240 GX270

GX340 GX390

MOQ: 100


(Without asbestos)

Antanker No.	OEM No.	Model
AT904-HD240-20	18381-ZE2-800	GX240
AT904-HD270-20	18381-ZE2-800	GX270
AT904-HD340-20	18381-ZE2-800	GX340
AT904-HD390-20	18381-ZE2-800	GX390

MUFFLER GASKET
REPLACES: Honda

GX240 GX270

GX340 GX390

MOQ: 100


(With asbestos)

Antanker No.	OEM No.	Model
AT904-HD240-00	18381-ZE2-800	GX240
AT904-HD270-00	18381-ZE2-800	GX270
AT904-HD340-00	18381-ZE2-800	GX340
AT904-HD390-00	18381-ZE2-800	GX390

EX PIPE GASKET
REPLACES: Honda

GX160 GX200

GX240 GX270

GX340 GX390

MOQ: 100


(With asbestos)

Antanker No.	OEM No.	Model
AT905-HD240-00	18333-ZE3-800	GX240
AT905-HD270-00	18333-ZE3-800	GX270
AT905-HD340-00	18333-ZE3-800	GX340
AT905-HD390-00	18333-ZE3-800	GX390

AIR INTAKE GASKET
REPLACES: Yanmar

L48 L70

L100

MOQ: 100


(Without asbestos)

Antanker No.	OEM No.	Model
AT904-YM170-00	114250-12200	L48
AT904-YM178-00	114350-12201	L70
AT904-YM186-00	114650-12300	L100

EX PIPE GASKET
REPLACES: Honda

GX240 GX270

GX340 GX390

MOQ: 100


(metal, 2 layers)

Antanker No.	OEM No.	Model
AT905-HD240-10	18333-ZE3-800	GX240
AT905-HD270-10	18333-ZE3-800	GX270
AT905-HD340-10	18333-ZE3-800	GX340
AT905-HD390-10	18333-ZE3-800	GX390

EX PIPE GASKET
REPLACES: Honda

GX160 GX200

GX240 GX270

GX340 GX390

MOQ: 100


(Without asbestos)

Antanker No.	OEM No.	Model
AT905-HD240-20	18333-ZE3-800	GX240
AT905-HD270-20	18333-ZE3-800	GX270
AT905-HD340-20	18333-ZE3-800	GX340
AT905-HD390-20	18333-ZE3-800	GX390

EXHAUST GASKET
REPLACES: Robin

EY20

MOQ: 100


(With asbestos)

Antanker No.	OEM No.	Model
AT905-RBY20-00	214-35201-11	EY20

EXHAUST GASKET
REPLACES: Robin

EY20

MOQ: 100


(Without asbestos)

Antanker No.	OEM No.	Model
AT905-RBY20-20	214-35201-11	EY20

AIR CLEANER GASKET
REPLACES: Yanmar

L48 L70

L100

MOQ: 100


(With asbestos)

Antanker No.	OEM No.	Model
AT905-YM170-00		L48
AT905-YM178-00		L70
AT905-YM186-00		L100

AIR CLEANER GASKET
REPLACES: Yanmar

L48 L70

L100

MOQ: 100


(Without asbestos)

Antanker No.	OEM No.	Model
AT905-YM170-20		L48
AT905-YM178-20		L70
AT905-YM186-20		L100

EX PIPE
REPLACES: Honda

GX240 GX270

GX340 GX390

MOQ: 50


Antanker No.	OEM No.	Model
AT906-HD240-00	18330-ZE2-W00	GX240
AT906-HD270-00	18330-ZE2-W00	GX270
AT906-HD340-00	18330-ZE2-W00	GX340
AT906-HD390-00	18330-ZE2-W00	GX390

MUFFLER EXHAUST DEFLECTOR
REPLACES: Honda

GX120 GX160

GX200

MOQ: 100


(Square type)

Antanker No.	OEM No.	Model
AT907-HD120-01	18340-ZE1-010	GX120
AT907-HD160-01	18340-ZE1-010	GX160
AT907-HD200-01	18331-883-810	GX200

MUFFLER EXHAUST DEFLECTOR
REPLACES: Honda

GX240 GX270

GX340 GX390

MOQ: 100


(Round type)

Antanker No.	OEM No.	Model
AT907-HD240-00	18331-ZE2-810	GX240
AT907-HD270-00	18331-ZE2-810	GX270
AT907-HD340-00	18331-ZE3-810	GX340
AT907-HD390-00	18331-ZE3-810	GX390

AIR EXHAUST GUIDE
REPLACES: Honda

GX25

MOQ: 100


Antanker No.	OEM No.	Model
AT908-HD25-00	18515-Z0H-000	GX25

FUEL TANK

GROUP

FUEL TANK COMPONENT

REPLACES: Honda

GX120 GX160

GX200 GX240

GX270 GX340

GX390

MOQ: 30



(White, Without Cap)

Antanker No.	OEM No.	Model
AT1001-HD120-00	17510-ZE0-020ZA	GX120
AT1001-HD160-00	17510-ZE1-020ZA	GX160
AT1001-HD200-00	17510-ZE1-020ZA	GX200
AT1001-HD240-00	17510-ZE2-010ZA	GX240
AT1001-HD270-00	17510-ZE2-010ZA	GX270
AT1001-HD340-00	17510-ZE3-010ZA	GX340
AT1001-HD390-00	17510-ZE3-010ZA	GX390

FUEL TANK COMPONENT

REPLACES: Honda

GX120 GX160

GX200 GX240

GX270 GX340

GX390

MOQ: 30



(Red, Without Cap)

Antanker No.	OEM No.	Model
AT1001-HD120-01	17510-ZE0-020ZA	GX120
AT1001-HD160-01	17510-ZE1-020ZA	GX160
AT1001-HD200-01	17510-ZE1-020ZA	GX200
AT1001-HD240-01	17510-ZE2-010ZA	GX240
AT1001-HD270-01	17510-ZE2-010ZA	GX270
AT1001-HD340-01	17510-ZE3-010ZA	GX340
AT1001-HD390-01	17510-ZE3-010ZA	GX390

FUEL TANK COMPONENT

REPLACES: Honda

G100

MOQ: 30



(Without metal Cap)

Antanker No.	OEM No.	Model
AT1001-HDG100-00	17510-ZG0-W00ZA	G100

FUEL TANK

REPLACES: Wacker

WM80

MOQ: 30



(For rammer, plastic)

Antanker No.	OEM No.	Model
AT1001-WM80-00		WM80

FUEL TANK

REPLACES: Honda

GX25

MOQ: 30



(With Cap)

Antanker No.	OEM No.	Model
AT1001-HD25-00	17511-Z0H-003	GX25
	17511-Z0H-013	
	17511-Z0H-023	

FUEL TANK

REPLACES: Honda

GX35

MOQ: 30



(With Cap)

Antanker No.	OEM No.	Model
AT1001-HD35-00	17511-Z0Z-003	GX35

FUEL TANK COMP

REPLACES: Robin

EY20

MOQ: 30



(Yellow, include cap and fuel filter)

Antanker No.	OEM No.	Model
AT1001-RBY20-00	227-60201-11	EY20

FUEL TANK COMP

REPLACES: Robin

EK20

MOQ: 30



(Yellow, include cap and fuel filter, kerosene)

Antanker No.	OEM No.	Model
AT1001-RBK20-00		EK20

FUEL TANK

REPLACES: Yanmar
L48 L70 L100
MOQ: 30



(Red)

Antanker No.	OEM No.	Model
AT1001-YM170-00	714250-55711	L48
AT1001-YM178-00	714330-55711	L70
AT1001-YM186-00	714569-55701	L100

FUEL TANK

REPLACES: Yanmar
L48 L70 L100
MOQ: 30



(Yellow)

Antanker No.	OEM No.	Model
AT1001-YM170-01	714250-55711	L48
AT1001-YM178-01	714330-55711	L70
AT1001-YM186-01	714569-55701	L100

FUEL TANK

REPLACES: Yanmar
L48 L70 L100
MOQ: 30



(Black)

Antanker No.	OEM No.	Model
AT1001-YM170-02	714250-55711	L48
AT1001-YM178-02	714330-55711	L70
AT1001-YM186-02	714569-55701	L100

FUEL TANK

REPLACES: Yamaha
ET950
MOQ: 30



(Black)

Antanker No.	OEM No.	Model
AT1001-YMH950-00	7CE-F4110-00	ET950

FUEL CAP

REPLACES: Honda
GX670
MOQ: 50



(Metal)

Antanker No.	OEM No.	Model
AT1002-HD670-00		GX670

FUEL CAP

REPLACES: Honda
GX120 GX160
GX200 GX240
GX270 GX340
GX390
MOQ: 50



(Metal)

Antanker No.	OEM No.	Model
AT1002-HD120-00	17620-Z0T-305	GX120
AT1002-HD160-00	17620-Z0T-814	GX160
AT1002-HD200-00	17620-Z0T-305	GX200
AT1002-HD240-00	17620-Z0T-305	GX240
AT1002-HD270-00	17620-Z0T-305	GX270
AT1002-HD340-00	17620-Z0T-305	GX340
AT1002-HD390-00	17620-Z0T-305	GX390

FUEL CAP

REPLACES: Honda
G100
MOQ: 50



(Metal)

Antanker No.	OEM No.	Model
AT1002-HDG100-00	17620-ZE2-W00	G100

FUEL TANK CAP COMP

REPLACES: Robin
EY15 EY20 EH12
MOQ: 100



(Metal)

Antanker No.	OEM No.	Model
AT1002-RBY15-00	043-04300-15	EY15
AT1002-RBY20-00	043-04300-15	EY20
AT1002-RBH12-00	043-04300-15	EH12

FUEL CAP

REPLACES: Honda
G100
MOQ: 50



(Plastic)

Antanker No.	OEM No.	Model
AT1002-HDG100-01	17620-ZE2-W00	G100

FUEL CAP
REPLACES: Honda

GX120 GX160

GX200 GX240

GX270 GX340

GX390

MOQ: 50

(Plastic)

Antanker No.	OEM No.	Model
AT1002-HD120-01	17620-ZH7-023	GX120
AT1002-HD160-01	17620-899-013	GX160
AT1002-HD200-01	17620-ZH7-023	GX200
AT1002-HD240-01	17620-ZH7-023	GX240
AT1002-HD270-01	17620-ZH7-013	GX270
AT1002-HD340-01	17620-ZH7-023	GX340
AT1002-HD390-01	17620-ZH7-023	GX390

FUEL CAP
REPLACES: Honda

GXV160

MOQ: 50

(Plastic)

Antanker No.	OEM No.	Model
AT1002-HDXV160-01	17620-Z1V-000	GXV160

FUEL CAP
REPLACES: Honda

GCV160 GCV135

MOQ: 50

(Plastic)

Antanker No.	OEM No.	Model
AT1002-HDCV160-01	17620-ZL8-003	GCV160
AT1002-HDCV135-01	17620-Z0J-800	GCV135

FUEL TANK CAP
REPLACES: Honda

GX25

MOQ: 50

(Plastic)

Antanker No.	OEM No.	Model
AT1002-HD25-01	17620-ZM3-043 17620-ZM3-053	GX25

FUEL TANK CAP
REPLACES: Honda

GX35

MOQ: 50

(Plastic)

Antanker No.	OEM No.	Model
AT1002-HD35-01	17620-ZM3-043	GX35

FUEL TANK CAP
REPLACES: Yanmar

L48 L70 L100

MOQ: 50


Antanker No.	OEM No.	Model
AT1002-YM170-01	114250-55041	L48
AT1002-YM178-01	114250-55041	L70
AT1002-YM186-01	114250-55041	L100

FUEL TANK CAP
REPLACES: Yamaha

ET950

MOQ: 50


Antanker No.	OEM No.	Model
AT1002-YMH950-00	7XC-F4610-00	ET950

FUEL FILTER
REPLACES: Robin

EY15 EY20 EH12

MOQ: 100


Antanker No.	OEM No.	Model
AT1003-RBY15-00	064-13600-10	EY15
AT1003-RBY20-00	064-13600-10	EY20
AT1003-RBH12-00	064-13600-10	EH12

FUEL FILTER
REPLACES: Yanmar

L48 L70 L100

MOQ: 100


Antanker No.	OEM No.	Model
AT1003-YM170-00	114250-55100	L48
AT1003-YM178-00	114250-55100	L70
AT1003-YM186-00	114250-55100	L100

FUEL FILTER ELEMENT

REPLACES: Robin

Robin Subaru
EX13 EX17
EX21 EX27
EX35
EX40



MOQ: 100

Antanker No.	OEM No.	Model
AT1004-RBEX-00	X64-13600-10	EX13
		EX17
		EX21
		EX27
		EX35
		EX40

Fuel Filter Element

REPLACES: Yanmar

L90 L100



MOQ: 100

Antanker No.	OEM No.	Model
AT1004-YM186-01	78-1044302	L90
		L100

FUEL FILTER

REPLACES: Honda

GX120 GX160
GX200 GX240
GX270 GX340
GX390



(Plastic holder)

MOQ: 100

Antanker No.	OEM No.	Model
AT1003-HD120-00	17672-ZE2-W01	GX120
AT1003-HD160-00	17672-ZE2-W01	GX160
AT1003-HD200-00	17672-ZE2-W01	GX200
AT1003-HD240-00	17672-ZE2-W01	GX240
AT1003-HD270-00	17672-ZE2-W01	GX270
AT1003-HD340-00	17672-ZE2-W01	GX340
AT1003-HD390-00	17672-ZE2-W01	GX390

Fuel Filter Element

REPLACES: Yanmar

L40 L48



MOQ: 100

Antanker No.	OEM No.	Model
AT1004-YML40-00	70-1704301	L40
AT1004-YM170-01	70-1704301	L48

Fuel Filter Element

REPLACES: Yanmar

L70



MOQ: 100

Antanker No.	OEM No.	Model
AT1004-YM178-01		L70

FUEL FILTER ELEMENT

REPLACES: Yanmar

L48 L70 L100



MOQ: 200

(without washer)

Antanker No.	OEM No.	Model
AT1004-YM170-00	114250-55120	L48
AT1004-YM178-00	114350-55120	L70
AT1004-YM186-00	114650-55120	L100

FUEL FILTER

REPLACES: Honda

GX120 GX160
GX200 GX240
GX270 GX340
GX390



MOQ: 100

(Metal holder)

Antanker No.	OEM No.	Model
AT1003-HD120-01	17672-ZE2-W01	GX120
AT1003-HD160-01	17672-ZE2-W01	GX160
AT1003-HD200-01	17672-ZE2-W01	GX200
AT1003-HD240-01	17672-ZE2-W01	GX240
AT1003-HD270-01	17672-ZE2-W01	GX270
AT1003-HD340-01	17672-ZE2-W01	GX340
AT1003-HD390-01	17672-ZE2-W01	GX390

FUEL FILTER

REPLACES: Honda
GX35
MOQ: 100



Antanker No.	OEM No.	Model
AT1003-HD35-00	17672-ZM3-003	GX35

FUEL STRAINER COMP

REPLACES: Honda
GX630 GX660 GX690
MOQ: 100



Antanker No.	OEM No.	Model
AT1004-HD630-00	16176-Z2G-D51	GX630
AT1004-HD660-00	16176-Z2G-D51	GX660
AT1004-HD690-00	16176-Z2G-D51	GX690

FUEL PIPE AND FILTER ASSY

REPLACES: Honda
GX35
MOQ: 100



Antanker No.	OEM No.	Model
AT1004-HD35-00		GX35

FUEL FILTER ELEMENT

REPLACES: Yamaha
Yamaha
G14
G20
G21
G22
MOQ: 100



Antanker No.	OEM No.	Model
AT1004-YMG14-00	JN3-F4560-00	G14
	JN6-F4560-00	G20
		G21
		G22

FUEL STRAINER COMP

REPLACES: Honda
GX620 GX670
MOQ: 100



Antanker No.	OEM No.	Model
AT1004-HD620-00	16910-ZE8-015	GX620
AT1004-HD670-00	16910-ZE8-015	GX670

FUEL FILTER ELEMENT

REPLACES: Honda
Honda
VT600
Shadow 400 ACE
Shadow ACE VT750
XRV750
MOQ: 100



Antanker No.	OEM No.	Model
AT1003-HDXRV-00	16900-MG8-003	VT600
		400 ACE
		ACE VT750
		XRV750

FUEL FILTER

REPLACES: Yamaha
ET950
MOQ: 200



Antanker No.	OEM No.	Model
AT1004-YMH950-00	7CE-F4689-00	ET950

FUEL FILTER ELEMENT

REPLACES: KOHLER
E-Z-GO
MOQ: 100



Antanker No.	OEM No.	Model
AT1004-KLEZ-24	24-050-10-S	E-Z-GO

FUEL FILTER ELEMENT

REPLACES: KOHLER
CH18-CH25
MOQ: 100



Antanker No.	OEM No.	Model
AT1004-KLCH-18	2405013 S	CH18-CH25

FUEL FILTER ELEMENT

REPLACES: B&S

B&S
311707
190407602501



MOQ: 100

Antanker No.	OEM No.	Model
AT1004-BS311-707	298090	311707 190407602501

FUEL FILTER ELEMENT

REPLACES: B&S

B&S
Intek
I/C
Intek Pro



MOQ: 100

70-micron

Antanker No.	OEM No.	Model
AT1004-BSIN-394	394358	Intek Intek Pro I/C

FUEL FILTER ELEMENT

REPLACES: B&S

B&S
185430
19F436
212707
215705



MOQ: 100

Antanker No.	OEM No.	Model
AT1004-BS21A-900	493629 691035	185430 19F436 212707 215705

FUEL FILTER ELEMENT

REPLACES: B&S

B&S
Intek
Intek Pro
I/C



MOQ: 100

75-micron

Antanker No.	OEM No.	Model
AT1004-BSIN-39	394358	Intek Intek Pro I/C

FUEL FILTER ELEMENT

REPLACES: B&S

22~28HP Engines
MOQ: 100



30Micron

Antanker No.	OEM No.	Model
AT1004-BSHP-00	695666	22~28Hp

FUEL FILTER ELEMENT

REPLACES: B&S

B&S
21A900
31F700
280J00
543477-0111-E1



MOQ: 100

3.9 x 1.5 x 1.5 inches

Antanker No.	OEM No.	Model
AT1004-BS21A-900	695666	21A900 31F700 280J00 543477

FUEL FILTER ELEMENT

REPLACES: KOHLER

KOHLER
Cub Cadet 1500/2000
Toro Greensmaster 3100



MOQ: 100

Antanker No.	OEM No.	Model
AT1004-KL3100-00	24 050 13 24 050 09-S	CubCadet1500

FUEL FILTER ELEMENT

REPLACES: KOHLER

KOHLER
CH18-CH25
CH620-CH740
CH750
CH940-CH1000



MOQ: 100

Antanker No.	OEM No.	Model
AT1004-KLCHE-00	2405013 2405020	CH18-CH25
		CH620-CH740
		CH750
		CH940/CH1000

FUEL FILTER ELEMENT

REPLACES: KOHLER

KOHLER
CH18-CH25 CH620-CH740
CH750 CH940-CH1000
CV430-CV493 SV470-SV740
TH18, TH520



MOQ: 100

Antanker No.	OEM No.	Model
AT1004-KLTH-18	2505022	CH18-CH25
		CH620-CH740
		SV470-SV740
		TH18, TH520

FUEL FILTER ELEMENT

REPLACES: KAWASAKI

KAWASAKI
FC420V
FH500V
FX481V



MOQ: 100

Antanker No.	OEM No.	Model
AT1004-KWFC420-00	49019-7001	FC420V
		FH500V
		FX481V

FUEL FILTER ELEMENT

REPLACES: KOHLER

KOHLER
CH18
CV450
M18
TH18



MOQ: 100

Antanker No.	OEM No.	Model
AT1004-KLM-18	25 050 03-S 25 050 08-S 25 050 22-S	CH18
		CV450
		M18
		TH18

FUEL FILTER ELEMENT

REPLACES: Kawasaki&Tecumseh

Kawasaki
FC420V FH430V
FX481V FX1000V
Tecumseh
HM80 OHV125 OVM120



MOQ: 100

Antanker No.	OEM No.	Model
AT1004-KWFC-420	49019-7005	FC420V
		FH430V
		FX481V
		FX1000V
AT1004-TSHM-80	34279B	HM80
		OHV125
		OVM120
		TVM220

FUEL FILTER ELEMENT

REPLACES: Kawasaki

Kawasaki
JH JT
JH1200
JH1100
JH900



MOQ: 100

Antanker No.	OEM No.	Model
AT1004-KWJH-00	49019-3712	JH JT
		JH1200
		JH1100
		JH900

FUEL FILTER ELEMENT

REPLACES: KUBOTA
For larger HP engines
MOQ: 100



Antanker No.	OEM No.	Model
AT1004-KBHP-12	12581-43012	HP engines

FUEL FILTER ELEMENT

REPLACES: Kubota
Large HP Engine
MOQ: 100



Antanker No.	OEM No.	Model
AT1004-KBLHP-00	13351-4301-0	HP Engine

FUEL FILTER ELEMENT

REPLACES: Kubota
Kubota
B1410
B7610
B2710
L2800
MOQ: 100



Antanker No.	OEM No.	Model
AT1004-KBB1-410	6A320-59930	B1410
		B7610
		B2710
		L2800

FUEL FILTER ELEMENT

REPLACES: Wacker
Wacker
BS52Y
BS60-2
BS65-V
BS650
MOQ: 100



Antanker No.	OEM No.	Model
AT1004-WMBS-52	0112179	BS52Y
		BS60-2
		BS65-V
		BS650

FUEL FILTER ELEMENT

REPLACES: B&S & John Deere
B&S
120300 203400
110400 126412-0023-E1
John Deere
68 RX75, SX75 LX173
MOQ: 100



Antanker No.	OEM No.	Model
AT1004-BS120-300	694485	120300
		203400
		110400
		126412/0023E1
AT1004-JDRX-75	AM107314 AM38708	RX75
		SX75
		LX173

FUEL FILTER ELEMENT

REPLACES: KUBOTA
KUBOTA
BX1850D;RTV1100
GF1800
TG1860
ZD321
MOQ: 100



Antanker No.	OEM No.	Model
AT1004-KBZD-321	12581-43012	BX1850D
		GF1800
		TG1860
		ZD321

FUEL FILTER ELEMENT

REPLACES: OREGON
AYP 371979
MOQ: 100



Antanker No.	OEM No.	Model
AT1004-OGAYP-37	07-102	AYP 371979

FUEL FILTER ELEMENT

REPLACES: BOBCAT
G20
MOQ: 100



Antanker No.	OEM No.	Model
AT1004-BCG20-00	38283	G20

Oil Filter Element

REPLACES: Yamaha SeaDoo Polaris
EXT1100U EXT1100V EXS1200W SJ700BM



MOQ: 100

Antanker No.	OEM No.	Model
AT1004-EXT110U-00		EXT1100U
AT1004-EXT110V-00	6R7-14569-00-00	EXT1100V
AT1004-EXS120-00	270-500-115	EXS1200W
AT1004-XRT120-00	3140039	XRT1200Y
AT1004-SJ700-00		SJ700BM

Oil Filter Element

REPLACES: Hatz
1B20, 1B30, 1B40



MOQ: 100

Antanker No.	OEM No.	Model
AT1004-HT1B2-00		1B20
AT1004-HT1B3-00	3795700	1B30
AT1004-HT1B4-00		1B40

FUEL TANK JOINT

REPLACES: Honda
GX120 GX160
GX200 GX240
GX270 GX340
GX390



MOQ: 100

Antanker No.	OEM No.	Model
AT1005-HD120-00	16955-ZE1-000	GX120
AT1005-HD160-00	16955-ZE1-000	GX160
AT1005-HD200-00	16955-ZE1-000	GX200
AT1005-HD240-00	16955-ZE1-000	GX240
AT1005-HD270-00	16955-ZE1-000	GX270
AT1005-HD340-00	16955-ZE1-000	GX340
AT1005-HD390-00	16955-ZE1-000	GX390

GASKET FOR FUEL FILTER

REPLACES: Yanmar
L48 L70 L100
MOQ: 100



Antanker No.	OEM No.	Model
AT1006-YM170-00	114250-55130	L48
AT1006-YM178-00	114250-55130	L70
AT1006-YM186-00	114250-55130	L100

FUEL TANK JOINT

REPLACES: Union
EX130
MOQ: 100



Antanker No.	OEM No.	Model
AT1005-UNEX130-00	X50-51200-20	EX130

O-RING

REPLACES: Yanmar
L48 L70 L100
MOQ: 100



Antanker No.	OEM No.	Model
AT1007-YM170-00	24341-000150	L48
AT1007-YM178-00	24341-000150	L70
AT1007-YM186-00	24341-000150	L100

FUEL INJECTION PIPE

REPLACES: Yanmar
L48 L70 L100
MOQ: 50



Antanker No.	OEM No.	Model
AT1008-YM170-00	114250-59810	L48
AT1008-YM178-00	114250-59800	L70
AT1008-YM186-00	114650-59800	L100

FUEL COCK ASSY.

REPLACES: Yamaha
ET950
MOQ: 50



Antanker No.	OEM No.	Model
AT1009-YMH950-00	7RA-24500-00	ET950

FUEL COCK

REPLACES: Robin
EH12
MOQ: 50



Antanker No.	OEM No.	Model
AT1009-RBH12-00	064-20084-00	EH12

FUEL COCK

REPLACES: Robin
EY15 EY20
MOQ: 50



Antanker No.	OEM No.	Model
AT1009-RBY15-00	064-20064-00	EY15
AT1009-RBY20-00	064-20064-00	EY20

FUEL COCK ASSY.

REPLACES: Yanmar
L48 L70 L100
MOQ: 50



(Tap in right)

Antanker No.	OEM No.	Model
AT1009-YM170-00	114250-55300	L48
AT1009-YM178-00	114250-55300	L70
AT1009-YM186-00	114250-55300	L100

FUEL COCK ASSY.

REPLACES: Yanmar
L48 L70 L100
MOQ: 50



(Tap in left)

Antanker No.	OEM No.	Model
AT1009-YM170-01	114250-55300	L48
AT1009-YM178-01	114250-55300	L70
AT1009-YM186-01	114250-55300	L100

FUEL COCK ASSY

REPLACES: Yamaha
ET950
MOQ: 50



(FINE THREAD)

Antanker No.	OEM No.	Model
AT1009-YMH950-01	7RA-24500-00	ET950

FUEL COCK ASSY

REPLACES: Honda
GX120 GX160
GX240 GX270
GX340 GX390
MOQ: 50



Antanker No.	OEM No.	Model
AT1009-HD120-00		GX120
AT1009-HD160-00		GX160
AT1009-HD240-00	16950-ZB4-015	GX240
AT1009-HD270-00		GX270
AT1009-HD340-00		GX340
AT1009-HD390-00		GX390

FUEL COCK ASSY

REPLACES: Honda
G200
MOQ: 50



Antanker No.	OEM No.	Model
AT1009-HDG200-00	16960-883-T20	G200

FUEL COCK ASSY

REPLACES: Honda
GX200
MOQ: 50



Antanker No.	OEM No.	Model
AT1009-HD200-00	16950-898-632	GX200

OIL TUBE

REPLACES: Honda
GX35
MOQ: 100



Antanker No.	OEM No.	Model
AT1010-HD35-00	15422-Z0Z-000	GX35

OIL TUBE

REPLACES: Honda
GX25
MOQ: 100



Antanker No.	OEM No.	Model
AT1010-HD25-00	15422-Z0H-000	GX25

SUPPORTER RUBBER

REPLACES: Honda
GX120 GX160
GX200 GX240
GX270 GX340
GX390
MOQ: 100



(107mm)

Antanker No.	OEM No.	Model
AT1011-HD120-00	16854-ZH8-000	GX120
AT1011-HD160-00	16854-ZH8-000	GX160
AT1011-HD200-00	16854-ZH8-000	GX200
AT1011-HD240-00	16854-ZH8-000	GX240
AT1011-HD270-00	16854-ZH8-000	GX270
AT1011-HD340-00	16854-ZH8-000	GX340
AT1011-HD390-00	16854-ZH8-000	GX390

RUBBER PIPE

REPLACES: Robin
EY20
MOQ: 100



Antanker No.	OEM No.	Model
AT1010-RBY20-00	085-10600-00	EY20

FUEL TUBE

REPLACES: Honda
GX120 GX160 GX200 GX240
GX270 GX340 GX390
MOQ: 100



(140mm)

Antanker No.	OEM No.	Model
AT1010-HD120-00	95001-45140-40	GX120
AT1010-HD160-00	95001-45140-40	GX160
AT1010-HD200-00	95001-45140-40	GX200
AT1010-HD240-00	95001-45222-40	GX240
AT1010-HD270-00	95001-45222-40	GX270
AT1010-HD340-00	95001-45260-40	GX340
AT1010-HD390-00	95001-45150-40	GX390

FUEL TANK DAMPER

REPLACES: Yanmar
L48 L70 L100
MOQ: 100



Antanker No.	OEM No.	Model
AT1013-YM170-00	114250-55201	L48
AT1013-YM178-00	114250-55201	L70
AT1013-YM186-00	114250-55201	L100

HOSE CLAMPS

REPLACES: Honda
GX120 GX160 GX200 GX240
GX270 GX340 GX390
MOQ: 200



Antanker No.	OEM No.	Model
AT1012-HD120-00	95002-02080	GX120
AT1012-HD160-00	95002-02080	GX160
AT1012-HD200-00	95002-02080	GX200
AT1012-HD240-00	95002-02080	GX240
AT1012-HD270-00	95002-02080	GX270
AT1012-HD340-00	95002-02080	GX340
AT1012-HD390-00	95002-02080	GX390

TANK GUARD COLLAR

REPLACES: Honda
GX35
MOQ: 50



Antanker No.	OEM No.	Model
AT1014-HD35-00	17555-Z0Z-000	GX35

FUEL PUMP

REPLACES: John Deere
GT235 GX85 657
MOQ: 100



Antanker No.	OEM No.	Model
	LG808656	GT235
AT1015-JD01-00	M138498	GX85
	M145667	657

FUEL PUMP

REPLACES: Kawasaki
FH661V
MOQ: 100



Antanker No.	OEM No.	Model
AT1015-KW01-00	49040-7001	FH661V

STAY UPPER

REPLACES: Yanmar
L48 L70 L100
MOQ:



(Tank holder)

Antanker No.	OEM No.	Model
AT1016-YM170-00	114250-55231	L48
AT1016-YM178-00	114350-55231	L70
AT1016-YM186-00	114650-55230	L100

STAY LOWER

REPLACES: Yanmar
L48 L70 L100
MOQ:



(Tank holder)

Antanker No.	OEM No.	Model
AT1017-YM170-00	114250-55211	L48
AT1017-YM178-00		L70
AT1017-YM186-00		L100

FUEL PUMP

REPLACES: Honda
GX100 GX610
GX620 GX670
MOQ: 100



Antanker No.	OEM No.	Model
AT1015-HD100-00		GX100
AT1015-HD610-00	16700-ZL8-013	GX610
AT1015-HD620-00		GX620
AT1015-HD670-00		GX670

FUEL PUMP

REPLACES: Kohler
CH17 CV17 CH730 CV730
MOQ: 100



Antanker No.	OEM No.	Model
AT1015-KLCH17-00		CH17
AT1015-KLCV17-00	24 393 04-S	CV17
AT1015-KLCH730-00	24 393 16-S	CH730
AT1015-KLCV730-00		CV730

FUEL PUMP

REPLACES: B&S
28B702 28B707
28M707 28N707
28P777 28Q777
351442 351447
MOQ: 100



Antanker No.	OEM No.	Model
		28B702
		28B707
		28M707
AT1015-BS28-00	491922	28N707
	808656	28P777
		28Q777
		351442
		351447

REDUCTION GROUP

2-1 REDUCTION GEARBOX
REPLACES: Honda

GX160 GX200

GX240 GX270

MOQ: 10

(Clutch PTO Shaft Diameter 20mm, Key 5mm)

Antanker No.	OEM No.	Model
AT1101-HD160-00		GX160
AT1101-HD200-00		GX200
AT1101-HD240-00		GX240
AT1101-HD270-00		GX270

2-1 REDUCTION GEARBOX
REPLACES: Honda

GX160 GX200

GX240 GX270

MOQ: 10

(Clutch PTO Shaft Diameter 22mm, Key 7mm)

Antanker No.	OEM No.	Model
AT1101-HD160-01		GX160
AT1101-HD200-01		GX200
AT1101-HD240-01		GX240
AT1101-HD270-01		GX270

REDUCTION CASE
REPLACES: Honda

GX120 GX160

GX200

MOQ: 20


Antanker No.	OEM No.	Model
AT1102-HD120-00	21510-883-621	GX120
AT1102-HD160-00	21510-883-621	GX160
AT1102-HD200-00	21510-883-621	GX200

REDUCTION CASE
REPLACES: Honda

GX240 GX270

MOQ: 20


Antanker No.	OEM No.	Model
AT1102-HD240-00	21510-889-750	GX240
AT1102-HD270-00	21510-889-750	GX270

REDUCTION CASE PACKING
REPLACES: Honda

GX120 GX160

GX200

MOQ: 100

(With asbestos)

Antanker No.	OEM No.	Model
AT1103-HD120-00	21591-ZH8-620	GX120
AT1103-HD160-00	21591-ZH8-620	GX160
AT1103-HD200-00	21591-ZH8-620	GX200

REDUCTION CASE PACKING
REPLACES: Honda

GX120 GX160

GX200

MOQ: 100

(Without asbestos)

Antanker No.	OEM No.	Model
AT1103-HD120-20	21591-ZH8-620	GX120
AT1103-HD160-20	21591-ZH8-620	GX160
AT1103-HD200-20	21591-ZH8-620	GX200

REDUCTION COVER
REPLACES: Honda

GX120 GX160

GX200 GX240

GX270

MOQ: 20


Antanker No.	OEM No.	Model
AT1104-HD120-00	21610-822-611	GX120
AT1104-HD160-00	21610-822-611	GX160
AT1104-HD200-00	21610-822-611	GX200
AT1104-HD240-00	21610-889-750	GX240
AT1104-HD270-00	21610-889-750	GX270

REDUCTION COVER PACKING
REPLACES: Honda

GX120 GX160

GX200

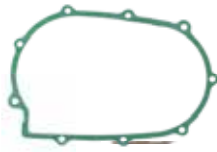
MOQ: 100

(With asbestos)

Antanker No.	OEM No.	Model
AT1105-HD120-00	21691-ZH8-800	GX120
AT1105-HD160-00	21691-ZH8-800	GX160
AT1105-HD200-00	21691-ZH8-800	GX200

REDUCTION COVER PACKING

REPLACES: Honda
GX120 GX160
GX200
MOQ: 100



(Without asbestos)

Antanker No.	OEM No.	Model
AT1105-HD120-20	21691-ZH8-800	GX120
AT1105-HD160-20	21691-ZH8-800	GX160
AT1105-HD200-20	21691-ZH8-800	GX200

REDUCTION COVER PACKING

REPLACES: Honda
GX240 GX270
MOQ: 100



(With asbestos)

Antanker No.	OEM No.	Model
AT1105-HD240-00	21691-889-750	GX240
AT1105-HD270-00	21691-889-750	GX270

CLUTCH CENTER

REPLACES: Honda
GX160 GX200
GX240 GX270
MOQ: 50



Antanker No.	OEM No.	Model
AT1106-HD160-00	22121-883-620	GX160
AT1106-HD200-00	22121-883-620	GX200
AT1106-HD240-00	22121-889-750	GX240
AT1106-HD270-00	22121-889-750	GX270

REDUCTION COVER PACKING

REPLACES: Honda
GX240 GX270
MOQ: 100



(Without asbestos)

Antanker No.	OEM No.	Model
AT1105-HD240-20	21691-889-750	GX240
AT1105-HD270-20	21691-889-750	GX270

CLUTCH PLATE

REPLACES: Honda
GX120 GX160
GX200 GX240 GX270
MOQ: 50



(Thickness 1.5mm)

Antanker No.	OEM No.	Model
AT1108-HD120-00	22311-822-610	GX120
AT1108-HD160-00	22311-822-610	GX160
AT1108-HD200-00	22311-822-610	GX200
AT1108-HD240-00	22311-822-610	GX240
AT1108-HD270-00	22311-822-610	GX270

CLUTCH FRICTION DISK

REPLACES: Honda
GX120 GX160
GX200 GX240
GX270
MOQ: 50



Antanker No.	OEM No.	Model
AT1107-HD120-00	22201-822-610	GX120
AT1107-HD160-00	22201-822-610	GX160
AT1107-HD200-00	22201-822-610	GX200
AT1107-HD240-00	22201-822-610	GX240
AT1107-HD270-00	22201-822-610	GX270

CLUTCH PLATE

REPLACES: Honda
GX120 GX160
GX200 GX240 GX270
MOQ: 50



(Thickness 2.5mm)

Antanker No.	OEM No.	Model
AT1108-HD120-01	22311-822-610	GX120
AT1108-HD160-01	22311-822-610	GX160
AT1108-HD200-01	22311-822-610	GX200
AT1108-HD240-01	22311-822-610	GX240
AT1108-HD270-01	22311-822-610	GX270

CLUTCH PRESSURE PLATE COMP

REPLACES: Honda
GX120 GX160
GX200 GX240
GX270
MOQ: 50



Antanker No.	OEM No.	Model
AT1109-HD120-00	22350-822-610	GX120
AT1109-HD160-00	22350-822-610	GX160
AT1109-HD200-00	22350-822-610	GX200
AT1109-HD240-00	22350-822-610	GX240
AT1109-HD270-00	22350-822-610	GX270

CLUTCH FREE SPRING
REPLACES: Honda

GX120 GX160

GX200 GX240 GX270

MOQ: 200


Antanker No.	OEM No.	Model
AT1110-HD120-00	22411-822-611	GX120
AT1110-HD160-00	22411-822-611	GX160
AT1110-HD200-00	22411-822-611	GX200
AT1110-HD240-00	22411-822-611	GX240
AT1110-HD270-00	22411-822-611	GX270

DRIVE SPROCKET COMP
REPLACES: Honda

GX120 GX160

GX200 GX240

GX270

MOQ: 30


Antanker No.	OEM No.	Model
AT1112-HD120-00	23120-883-620	GX120
AT1112-HD160-00	23120-883-620	GX160
AT1112-HD200-00	23120-883-620	GX200
AT1112-HD240-00	23120-889-750	GX240
AT1112-HD270-00	23120-889-750	GX270

CLUTCH SPRING HOLDER
REPLACES: Honda

GX120 GX160

GX200 GX240

GX270

MOQ: 200


Antanker No.	OEM No.	Model
AT1111-HD120-00	22421-822-610	GX120
AT1111-HD160-00	22421-822-610	GX160
AT1111-HD200-00	22421-822-610	GX200
AT1111-HD240-00	22421-822-610	GX240
AT1111-HD270-00	22421-822-610	GX270

REDUCTION SHAFT COMP
REPLACES: Honda

GX160 GX200

GX240 GX270

MOQ: 30

(Diameter22mm, Key7mm)

Antanker No.	OEM No.	Model
AT1114-HD160-01	23711-822-610	GX160
AT1114-HD200-01	23711-822-610	GX200
AT1114-HD240-01	23711-822-610	GX240
AT1114-HD270-01	23711-822-610	GX270

REDUCTION SHAFT COMP
REPLACES: Honda

GX160 GX200

GX240 GX270

MOQ: 30

(Diameter20mm, Key5mm)

Antanker No.	OEM No.	Model
AT1114-HD160-00	23711-822-610	GX160
AT1114-HD200-00	23711-822-610	GX200
AT1114-HD240-00	23711-822-610	GX240
AT1114-HD270-00	23711-822-610	GX270

DRIVE CHAIN
REPLACES: Honda

GX120 GX160

GX200 GX240

GX270

MOQ: 30


Antanker No.	OEM No.	Model
AT1113-HD120-00	23161-822-611	GX120
AT1113-HD160-00	23161-822-611	GX160
AT1113-HD200-00	23161-822-611	GX200
AT1113-HD240-00	23161-822-611	GX240
AT1113-HD270-00	23161-822-611	GX270

THRUST WASHER
REPLACES: Honda

GX240 GX270

MOQ: 50

(Thickness 7.5mm, ID25mm)

Antanker No.	OEM No.	Model
AT1116-HD240-01	90403-889-000	GX240
AT1116-HD270-01	90403-889-000	GX270

THRUST WASHER
REPLACES: Honda

GX160 GX200

MOQ: 50

(Thickness 7mm, ID20mm)

Antanker No.	OEM No.	Model
AT1116-HD160-00	90403-883-620	GX160
AT1116-HD200-00	90403-883-620	GX200

REDUCTION DIPSTICK

REPLACES: Honda
GX120 GX160
GX200 GX240
GX270



MOQ: 100

Antanker No.	OEM No.	Model
AT1115-HD120-00		GX120
AT1115-HD160-00	25651-883-621	GX160
AT1115-HD200-00	25620-805-612	GX200
AT1115-HD240-00	25651-889-750	GX240
AT1115-HD270-00	25620-805-612	GX270

THRUST WASHER

REPLACES: Zongshen
168F



MOQ: 50

(Thickness 7.5mm, ID20mm)

Antanker No.	OEM No.	Model
AT1116-ZS168-00		168F

OIL SEAL

REPLACES: Honda
GX120 GX160
GX200 GX240 GX270



MOQ: 100

(30X50X7)

Antanker No.	OEM No.	Model
AT1117-HD120-00	91202-805-610	GX120
AT1117-HD160-00	91202-805-610	GX160
AT1117-HD200-00	91202-805-610	GX200
AT1117-HD240-00	91202-805-610	GX240
AT1117-HD270-00	91202-805-610	GX270

RADIAL BALL BEARING 6206

REPLACES: Honda
GX120 GX160
GX200 GX240 GX270



MOQ: 50

6206

Antanker No.	OEM No.	Model
AT1119-HD120-00	96100-62060-00	GX120
AT1119-HD160-00	96100-62060-00	GX160
AT1119-HD200-00	96100-62060-00	GX200
AT1119-HD240-00	96100-62060-00	GX240
AT1119-HD270-00	96100-62060-00	GX270

THRUST WASHER

REPLACES: Kohler
CH270 CH395



MOQ: 50

(Thickness 13.5mm, ID25mm)

Antanker No.	OEM No.	Model
AT1116-KLCH270-02		CH270
AT1116-KLCH395-02		CH395

THRUST WASHER

REPLACES: Lifan
173F 177F



MOQ: 50

(Thickness 12.5mm, ID 25mm)

Antanker No.	OEM No.	Model
AT1116-LF173-01		173F
AT1116-LF177-01		177F

RADIAL BALL BEARING 6205

REPLACES: Honda
GX120 GX160
GX200 GX240 GX270



MOQ: 50

6205

Antanker No.	OEM No.	Model
AT1118-HD120-00	96100-62050-00	GX120
AT1118-HD160-00	96100-62050-00	GX160
AT1118-HD200-00	96100-62050-00	GX200
AT1118-HD240-00	96100-62050-00	GX240
AT1118-HD270-00	96100-62050-00	GX270

CLUTCH CENTER KEY

REPLACES: Honda
GX240 GX270



MOQ: 100

(6X7)

Antanker No.	OEM No.	Model
AT1120-HD240-00	90741-889-000	GX240
AT1120-HD270-00	90741-889-000	GX270

CLUTCH CENTER KEY
REPLACES: Honda

GX120 GX160

GX200

MOQ: 100

(5X5)


Antanker No.	OEM No.	Model
AT1120-HD120-00	90741-883-621	GX120
AT1120-HD160-00	90741-883-621	GX160
AT1120-HD200-00	90741-883-621	GX200

CLUTCH HOLDER AND WEIGHT
REPLACES: Honda

GX120 GX160

GX200 GX240

GX270

MOQ: 50


Antanker No.	OEM No.	Model
AT1121-HD120-00	22531-887-620 22521-822-610	GX120
AT1121-HD160-00	22531-883-620	GX160
AT1121-HD200-00	22521-822-610	GX200
AT1121-HD240-00	22531-889-750	GX240
AT1121-HD270-00	22521-822-610	GX270

CLUTCH ASSY.
REPLACES: Honda

GX25

MOQ: 50


Antanker No.	OEM No.	Model
AT1122-HD25-00	22000-ZM3-003	GX25

Clutch For rammer
REPLACES: Robin

EH12

MOQ: 50

(O.D. 78.3mm)

Antanker No.	OEM No.	Model
AT1122-RBH12-00		EH12

COMPLETE CLUTCH
REPLACES: Honda

GX120 GX160

GX200 GX240

GX270

MOQ: 50

FOR REDUCTION GEARBOX

Antanker No.	OEM No.	Model
AT1122-HD120-00		GX120
AT1122-HD160-00		GX160
AT1122-HD200-00		GX200
AT1122-HD240-00		GX240
AT1122-HD270-00		GX270

CLUTCH ASSY.
REPLACES: Honda

GX35

MOQ: 50


Antanker No.	OEM No.	Model
AT1122-HD35-00	22000-ZM5-003	GX35

Clutch For rammer
REPLACES: Robin

EH12

MOQ: 50

(O.D. 80mm)

Antanker No.	OEM No.	Model
AT1122-RBH12-01		EH12

Clutch
REPLACES: Wacker

WM80

MOQ: 50

(O.D. 58mm)

Antanker No.	OEM No.	Model
AT1122-WM80-00	86430	WM80

Clutch

REPLACES: Wacker
WM80
MOQ: 50



(O.D. 78mm)

Antanker No.	OEM No.	Model
AT1122-WM80-01	86430	WM80

Clutch For rammer

REPLACES: Honda
GX100
MOQ: 50



(O.D. 78mm)

Antanker No.	OEM No.	Model
AT1122-HD100-00		GX100

CLUTCH

REPLACES: Wacker
BH22 BH23
BH24
MOQ: 50



Antanker No.	OEM No.	Model
AT1122-BH22-00	43595	BH22
AT1122-BH23-00	43595	BH23
AT1122-BH24-00	43595	BH24

CLUTCH

REPLACES: Stihl
MS170
MS180



Antanker No.	OEM No.	Model
AT1122-MS170-00	1123-160-2050	MS170 MS180

CLUTCH

REPLACES: Stihl
MS210
MS230
MS250



Antanker No.	OEM No.	Model
AT1122-MS210-00	1123-160-2050	MS210 MS230 MS250

CLUTCH

REPLACES: Stihl
MS240
MS260



Antanker No.	OEM No.	Model
AT1122-MS240-00	1121-160-2051	MS240 MS260

CLUTCH

REPLACES: Stihl
MS380
MS381



Antanker No.	OEM No.	Model
AT1122-MS380-00	1119-160-2002	MS380 MS381

CLUTCH

REPLACES: Stihl
MS290
MS310
MS360
MS390



Antanker No.	OEM No.	Model
AT1122-MS290-00	1127-160-2051	MS290 MS310 MS360 MS390

CLUTCH

REPLACES: Stihl
MS341
MS361
MS440
MS460



Antanker No.	OEM No.	Model
AT1122-MS341-00	1128-160-2004	MS341 MS361 MS440 MS460

CLUTCH

REPLACES: *Stihl*

MS640

MS660



AT1122-MS640-00	1122-160-2005	MS640
		MS660

CLUTCH

REPLACES: *Stihl*

MS070



	1106-160-2000	
AT1122-MS070-00	1106-162-3200	MS070
	1106-160-1502	

CLUTCH

REPLACES: *Stihl*

FS120

FS200

FS250

FS300

FS400

FS450



		FS120
		FS200
AT1122-FS120-00	4128-160-2001	FS250
		FS300
		FS400
		FS450

CLUTCH

REPLACES: *Stihl*

FS160

FS180

FS220

FS280

FS360

FS420



		FS160
		FS180
AT1122-FS160-00	4119-160-2000	FS220
		FS280
		FS360
		FS420

CLUTCH

REPLACES: *Stihl*

TS410

TS420



AT1122-TS410-00	1125-160-2005	TS410
		TS420

CLUTCH

REPLACES: *Husqvarna*

CS136

CS137

CS141

CS142



		CS136
		CS137
AT1122-HUS-CS136	530014949	CS141
		CS142

CLUTCH

REPLACES: *Husqvarna*

CS362

CS365

CS371

CS372

CS375

CS385



		CS362
		CS365
AT1122-HUS-CS362	503744401	CS371
		CS372
		CS375
		CS385

REDUCTION GROUP

CLUTCH

REPLACES: Husqvarna

CS61
CS268
CS272



AT1122-HUS-CS61	503744402	CS61 CS268 CS272
-----------------	-----------	------------------------

CLUTCH

REPLACES: Zenoah

2500
3500



AT1122-ZEH-2500	2500 3500
-----------------	--------------

CLUTCH

REPLACES: Husqvarna

CS340
CS345
CS350



AT1122-HUS-CS340	537359101	CS340 CS345 CS350
------------------	-----------	-------------------------

CLUTCH

REPLACES: Zenoah

4500
5200
5800



AT1122-ZEH-4500L	4500 5200 5800
------------------	----------------------

CLUTCH

REPLACES: Husqvarna

CS357
CS359



AT1122-HUS-CS357	537103403	CS357 CS359
------------------	-----------	----------------

CLUTCH

REPLACES: Tanaka

SUM328



AT1122-TNK-SUM328	SUM328
-------------------	--------

CLUTCH

REPLACES: Zenoah

3800



AT1122-ZEH-3800L	3800
------------------	------

CLUTCH

REPLACES: Mitsubishi

TL33
TL43
TL52



AT1122-MSB-TL33	TL33 TL43 TL52
-----------------	----------------------

CLUTCH

REPLACES: Zenoah

35L
45L



AT1122-ZEH-35L	35L 45L
----------------	------------

CLUTCH

REPLACES: Oleo-Mac

GS35



AT1122-OM-GS35	GS35
----------------	------

CLUTCH

REPLACES: Robin
NB411



AT1122-RB-NB411

NB411

CLUTCH

REPLACES: Honda
GX31
GX35



AT1122-HD31-00

22000-ZM5-003

GX31

GX35

CLUTCH

REPLACES: Mitsubishi
TU26



AT1122-MSB-TU26

TU26

CLUTCH

REPLACES: RBC411
RBC411



AT1122-RBC411

RBC411

CLUTCH SPRING

REPLACES: Honda
GX100
MOQ: 200



Antanker No.	OEM No.	Model
AT1123-HD100-00		GX100

AT1123-HD100-00

GX100

CLUTCH SPRING

REPLACES: Robin
EH12
MOQ: 200



Antanker No.	OEM No.	Model
AT1123-RBH12-00		EH12

AT1123-RBH12-00

EH12

DOWEL PIN 8X10

REPLACES: Honda
GX160 GX200
MOQ: 100



(8X10)

Antanker No.	OEM No.	Model
AT1124-HD160-00		GX160
AT1124-HD200-00	94301-08100	GX160

AT1124-HD160-00

94301-08100

GX160

AT1124-HD200-00

GX160

DOWEL PIN 8X14

REPLACES: Honda
GX240 GX270
MOQ: 100



(8X14)

Antanker No.	OEM No.	Model
AT1124-HD240-00		GX240
AT1124-HD270-00	94301-08140	GX270

AT1124-HD240-00

94301-08140

GX240

AT1124-HD270-00

GX270

KTT

GROUP

GASKET KIT

REPLACES: Honda
GX120 GX160
MOQ: 100



(6PCS/SET, With asbestos)

Antanker No.	OEM No.	Model
AT1201-HD120-00		GX120
AT1201-HD160-00		GX160

GASKET KIT

REPLACES: Honda
GX120 GX160
MOQ: 100



(6PCS/SET, Without asbestos)

Antanker No.	OEM No.	Model
AT1201-HD120-10		GX120
AT1201-HD160-10		GX160

GASKET KIT

REPLACES: Honda
GX120 GX160
MOQ: 100



(7PCS/SET, With asbestos)

Antanker No.	OEM No.	Model
AT1201-HD120-01	061A1-ZH7-010	GX120
AT1201-HD160-01	061A1-ZH8-020	GX160

GASKET KIT

REPLACES: Honda
GX120 GX160
MOQ: 100



(7PCS/SET, Without asbestos)

Antanker No.	OEM No.	Model
AT1201-HD120-11	061A1-ZH7-010	GX120
AT1201-HD160-11	061A1-ZH8-020	GX160

GASKET KIT

REPLACES: Honda
GX200
MOQ: 100



(6PCS/SET, With asbestos)

Antanker No.	OEM No.	Model
AT1201-HD200-00		GX200

GASKET KIT

REPLACES: Honda
GX200
MOQ: 100

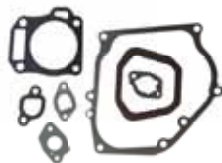


(6PCS/SET, Without asbestos)

Antanker No.	OEM No.	Model
AT1201-HD200-10		GX200

GASKET KIT

REPLACES: Honda
GX200
MOQ: 100



(7PCS/SET, With asbestos)

Antanker No.	OEM No.	Model
AT1201-HD200-01	06111-ZL0-000	GX200

GASKET KIT

REPLACES: Honda
GX200
MOQ: 100



(7PCS/SET, Without asbestos)

Antanker No.	OEM No.	Model
AT1201-HD200-11	06111-ZL0-000	GX200

GASKET KIT
REPLACES: Honda

GX240 GX270

GX340 GX390

MOQ: 100

(6PCS/SET, With asbestos)

Antanker No.	OEM No.	Model
AT1201-HD240-00		GX240
AT1201-HD270-00		GX270
AT1201-HD340-00		GX340
AT1201-HD390-00		GX390

GASKET KIT
REPLACES: Honda

GX240 GX270

GX340 GX390

MOQ: 100

(6PCS/SET, Without asbestos)

Antanker No.	OEM No.	Model
AT1201-HD240-10		GX240
AT1201-HD270-10		GX270
AT1201-HD340-10		GX340
AT1201-HD390-10		GX390

GASKET KIT
REPLACES: Honda

GX240 GX270

GX340 GX390

MOQ: 100

(7PCS/SET, With asbestos)

Antanker No.	OEM No.	Model
AT1201-HD240-01	061A1-ZE2-040	GX240
AT1201-HD270-01	061A1-ZH9-000	GX270
AT1201-HD340-01	061A1-ZE3-600	GX340
AT1201-HD390-01	06111-ZF6-R80	GX390

GASKET KIT
REPLACES: Honda

GX240 GX270

GX340 GX390

MOQ: 100

(7PCS/SET, Without asbestos)

Antanker No.	OEM No.	Model
AT1201-HD240-11	061A1-ZE2-040	GX240
AT1201-HD270-11	061A1-ZH9-000	GX270
AT1201-HD340-11	061A1-ZE3-600	GX340
AT1201-HD390-11	06111-ZF6-R80	GX390

GASKET KIT
REPLACES: Honda

GX240 GX270

GX340 GX390

MOQ: 100

(8PCS/SET, With asbestos)

Antanker No.	OEM No.	Model
AT1201-HD240-02	061A1-ZE2-040	GX240
AT1201-HD270-02	061A1-ZH9-000	GX270
AT1201-HD340-02	061A1-ZE3-600	GX340
AT1201-HD390-02	06111-ZF6-R80	GX390

GASKET KIT
REPLACES: Honda

GX240 GX270

GX340 GX390

MOQ: 100

(8PCS/SET, Without asbestos)

Antanker No.	OEM No.	Model
AT1201-HD240-12	061A1-ZE2-040	GX240
AT1201-HD270-12	061A1-ZH9-000	GX270
AT1201-HD340-12	061A1-ZE3-600	GX340
AT1201-HD390-12	06111-ZF6-R80	GX390

GASKET KIT
REPLACES: Honda

GX620

MOQ: 100

(With asbestos)

Antanker No.	OEM No.	Model
AT1201-HD620-00	061A1-ZJ1-000	GX620

GASKET KIT
REPLACES: Honda

GX620

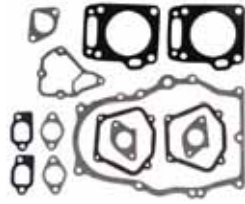
MOQ: 100

(Without asbestos)

Antanker No.	OEM No.	Model
AT1201-HD620-10	061A1-ZJ1-000	GX620

GASKET KIT

REPLACES: Honda
GX670
MOQ: 100

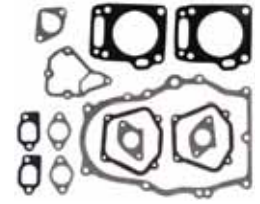


(With asbestos)

Antanker No.	OEM No.	Model
AT1201-HD670-00		GX670

GASKET KIT

REPLACES: Honda
GX670
MOQ: 100



(Without asbestos)

Antanker No.	OEM No.	Model
AT1201-HD670-10		GX670

GASKET KIT

REPLACES: Honda
GXV160
MOQ: 100



(With asbestos)

Antanker No.	OEM No.	Model
AT1201-HDXV160-00		GXV160

GASKET KIT

REPLACES: Honda
GXV160
MOQ: 100



(Without asbestos)

Antanker No.	OEM No.	Model
AT1201-HDXV160-10		GXV160

GASKET KIT

REPLACES: Honda
GX100
MOQ: 100



(Without asbestos)

Antanker No.	OEM No.	Model
AT1201-HD100-10		GX100

GASKET KIT

REPLACES: Robin
EH12
MOQ: 100



Antanker No.	OEM No.	Model
AT1201-RBH12-00		EH12

GASKET KIT

REPLACES: Robin
EY15 EY18
EY20 EY28
MOQ: 100



Antanker No.	OEM No.	Model
AT1201-RBY15-00		EY15
AT1201-RBY18-00		EY18
AT1201-RBY20-00	227-99002-07	EY20
AT1201-RBY28-00		EY28

GASKET KIT

REPLACES: Yanmar
L48 L70 L100
MOQ: 100



Antanker No.	OEM No.	Model
AT1201-YM170-00	714770-92600	L48
AT1201-YM178-00	714870-92600	L70
AT1201-YM186-00	714970-92600	L100

GASKET KIT

REPLACES: Yamaha
ET950
MOQ: 100



Antanker No.	OEM No.	Model
AT1201-YMH950-00		ET950

GASKET KIT

REPLACES: Wacker
WM80
MOQ: 200



Antanker No.	OEM No.	Model
AT1201-WM80-00		WM80

CARBURETOR REPAIR KIT
REPLACES: Honda

GX120 GX140

GX160 GX200

GX240 GX270

GX340 GX390

GX440


MOQ: 100

(Small Kit)

Antanker No.	OEM No.	Model
AT1202-HD120-00		GX120
AT1202-HD140-00		GX140
AT1202-HD160-00		GX160
AT1202-HD200-00		GX200
AT1202-HD240-00		GX240
AT1202-HD270-00		GX270
AT1202-HD340-00		GX340
AT1202-HD390-00		GX390
AT1202-HD440-00		GX440

CARBURETOR REPAIR KIT
REPLACES: Honda

GX120 GX140

GX160 GX200

GX240 GX270

GX340 GX390

GX440


MOQ: 100

(Big Kit)

Antanker No.	OEM No.	Model
AT1202-HD120-01		GX120
AT1202-HD140-01		GX140
AT1202-HD160-01		GX160
AT1202-HD200-01		GX200
AT1202-HD240-01		GX240
AT1202-HD270-01		GX270
AT1202-HD340-01		GX340
AT1202-HD390-01		GX390
AT1202-HD440-01		GX440

PISTON & RING SET KIT
REPLACES: Honda

GX100 GX120

GX160 GX200

GX240 GX270

GX340 GX390 GX440


MOQ: 100

(Includes Pin & Clips) STD

Antanker No.	OEM No.	Model
AT1203-HD100-00		GX100
AT1203-HD120-00		GX120
AT1203-HD160-00		GX160
AT1203-HD200-00		GX200
AT1203-HD240-00		GX240
AT1203-HD270-00		GX270
AT1203-HD340-00		GX340
AT1203-HD390-00		GX390
AT1203-HD440-00		GX440

PISTON & RING SET KIT
REPLACES: Honda

GX120 GX160

GX200 GX240

GX270 GX340

GX390


MOQ: 100

(Thin rings, STD)

Antanker No.	OEM No.	Model
AT1203-HD120-10		GX120
AT1203-HD160-10		GX160
AT1203-HD200-10		GX200
AT1203-HD240-10		GX240
AT1203-HD270-10		GX270
AT1203-HD340-10		GX340
AT1203-HD390-10		GX390

PISTON & RING SET KIT
REPLACES: Loncin

170F

MOQ: 100

(Includes Pin & Clips, Flat top) STD

Antanker No.	OEM No.	Model
AT1203-LC170-10		170F

PISTON & RING SET KIT
REPLACES: Honda

GXV 160

MOQ: 100

(Includes Pin & Clips) STD

Antanker No.	OEM No.	Model
AT1203-HDXV 160-10		GXV 160

PISTON & RING SET KIT
REPLACES: Honda

GX120 GX160

GX200 GX240

GX270 GX340

GX390

MOQ: 100


(Includes Pin & Clips) +0.25

Antanker No.	OEM No.	Model
AT1203-HD120-01		GX120
AT1203-HD160-01		GX160
AT1203-HD200-01		GX200
AT1203-HD240-01		GX240
AT1203-HD270-01		GX270
AT1203-HD340-01		GX340
AT1203-HD390-01		GX390

PISTON & RING SET KIT
REPLACES: Honda

GX120 GX160

GX200 GX240

GX270 GX340

GX390

MOQ: 100


(Includes Pin & Clips) +0.5

Antanker No.	OEM No.	Model
AT1203-HD120-02		GX120
AT1203-HD160-02		GX160
AT1203-HD200-02		GX200
AT1203-HD240-02		GX240
AT1203-HD270-02		GX270
AT1203-HD340-02		GX340
AT1203-HD390-02		GX390

PISTON & RING SET KIT
REPLACES: Loncin

170F

MOQ: 100


(Includes Pin & Clips,Flat top) +0.25

Antanker No.	OEM No.	Model
AT1203-LC170-20		170F

PISTON & RING SET KIT
REPLACES: Loncin

170F

MOQ: 100


(Includes Pin & Clips,Flat top) +0.5

Antanker No.	OEM No.	Model
AT1203-LC170-30		170F

PISTON & RING SET KIT
REPLACES: Robin

EY15 EY20

EY18

MOQ: 100

(Includes Pin & Clips)STD



Antanker No.	OEM No.	Model
AT1203-RBY15-00		EY15
AT1203-RBY20-00		EY20
AT1203-RBY18-00		EY18

PISTON & RING SET KIT
REPLACES: Robin

EH12

MOQ: 100

(Includes Pin & Clips)STD



Antanker No.	OEM No.	Model
AT1203-RBH12-00		EH12

PISTON & RING SET KIT
REPLACES: Robin

EY15 EY20

MOQ: 100

(Includes Pin & Clips) +0.25



Antanker No.	OEM No.	Model
AT1203-RBY15-01		EY15
AT1203-RBY20-01		EY20

PISTON & RING SET KIT
REPLACES: Robin

EH12

MOQ: 100

(Includes Pin & Clips) +0.25



Antanker No.	OEM No.	Model
AT1203-RBH12-01		EH12

PISTON & RING SET KIT

REPLACES: Robin
EY 15 EY20
MOQ: 100



(Includes Pin & Clips) +0.5

Antanker No.	OEM No.	Model
AT1203-RBY15-02		EY 15
AT1203-RBY20-02		EY 20

PISTON & RING SET KIT

REPLACES: Robin
EH12
MOQ: 100



(Includes Pin & Clips) +0.5

Antanker No.	OEM No.	Model
AT1203-RBH12-02		EH12

PISTON & RING SET KIT

REPLACES: Yamaha
ET950
MOQ: 100



(Includes Pin & Clips)STD

Antanker No.	OEM No.	Model
AT1203-YMH950-00		ET950

PISTON & RING SET KIT

REPLACES: Yanmar
L48 L70 L100
MOQ: 100



(Includes Pin & Clips)STD Con Type

Antanker No.	OEM No.	Model
AT1203-YM170-00	714780-22720	L48
AT1203-YM178-00	714780-22720	L70
AT1203-YM186-00	714980-22720	L100

RECOIL STARTER REPAIR KIT

REPLACES: Honda
GX120 GX160
GX200
MOQ: 100



(With plastic ratchet)

Antanker No.	OEM No.	Model
AT1204-HD120-00		GX120
AT1204-HD160-00		GX160
AT1204-HD200-00		GX200

PISTON & RING SET KIT

REPLACES: Yanmar
L48 L70 L100
MOQ: 100



(Includes Pin & Clips)STD Flat Type

Antanker No.	OEM No.	Model
AT1203-YM170-01	714780-22720	L48
AT1203-YM178-01	714780-22720	L70
AT1203-YM186-01	714980-22720	L100

RECOIL STARTER REPAIR KIT

REPLACES: Honda
GX120 GX160
GX200 GX240
GX270 GX340
GX390
MOQ: 50



(With steel rod ratchet)

Antanker No.	OEM No.	Model
AT1204-HD120-01		GX120
AT1204-HD160-01		GX160
AT1204-HD200-01		GX200
AT1204-HD240-01		GX240
AT1204-HD270-01		GX270
AT1204-HD340-01		GX340
AT1204-HD390-01		GX390

RECOIL STARTER REPAIR KIT

REPLACES: Honda
GX120 GX160
GX200 GX240
GX270 GX340
GX390
MOQ: 50



(With steel plate ratchet)

Antanker No.	OEM No.	Model
AT1204-HD120-02		GX120
AT1204-HD160-02		GX160
AT1204-HD200-02		GX200
AT1204-HD240-02		GX240
AT1204-HD270-02		GX270
AT1204-HD340-02		GX340
AT1204-HD390-02		GX390

ROCKER ARM KIT
REPLACES: Honda

GX120 GX160

GX200 GX240

GX270 GX340

GX390

MOQ: 100

(Include rocker arm, pivot, jam nut & rocker stud)

Antanker No.	OEM No.	Model
AT1205-HD120-00		GX120
AT1205-HD160-00		GX160
AT1205-HD200-00		GX200
AT1205-HD240-00		GX240
AT1205-HD270-00		GX270
AT1205-HD340-00		GX340
AT1205-HD390-00		GX390

GOVERNOR KIT
REPLACES: Honda

GX120 GX160

GX200 GX240

GX270 GX340

GX390

MOQ: 100

(Include gear, central shaft, washer, slide bushing)

Antanker No.	OEM No.	Model
AT1206-HD120-00		GX120
AT1206-HD160-00		GX160
AT1206-HD200-00		GX200
AT1206-HD240-00		GX240
AT1206-HD270-00		GX270
AT1206-HD340-00		GX340
AT1206-HD390-00		GX390

GOVERNOR REPAIR KIT
REPLACES: Yamaha

ET950

MOQ: 100


Antanker No.	OEM No.	Model
AT1207-YMH950-00		ET950

RECOIL STARTER AND CUP KIT
REPLACES: Honda

GX100

MOQ: 50

(With Steel Plate Ratchet)

Antanker No.	OEM No.	Model
AT1208-HD100-02		GX100

RECOIL STARTER AND CUP KIT
REPLACES: Honda

GX120 GX160

GX200 GX240

GX270 GX340

GX390

MOQ: 50

(With Steel Rod Ratchet)

Antanker No.	OEM No.	Model
AT1208-HD120-01		GX120
AT1208-HD160-01		GX160
AT1208-HD200-01		GX200
AT1208-HD240-01		GX240
AT1208-HD270-01		GX270
AT1208-HD340-01		GX340
AT1208-HD390-01		GX390

RECOIL STARTER AND CUP KIT
REPLACES: Honda

GX120 GX160

GX200 GX240

GX270 GX340

GX390

MOQ: 50

(With Steel Plate Ratchet)

Antanker No.	OEM No.	Model
AT1208-HD120-02		GX120
AT1208-HD160-02		GX160
AT1208-HD200-02		GX200
AT1208-HD240-02		GX240
AT1208-HD270-02		GX270
AT1208-HD340-02		GX340
AT1208-HD390-02		GX390

RECOIL STARTER AND CUP KIT

REPLACES: Robin
EH12
MOQ: 50



(With Steel Plate Ratchet)

Antanker No.	OEM No.	Model
AT1208-RBH12-02		EH12

RECOIL STARTER AND CUP KIT

REPLACES: Robin
EY20
MOQ: 50



(High)

Antanker No.	OEM No.	Model
AT1208-RBY20-00		EY20

RECOIL STARTER AND CUP KIT

REPLACES: Robin
EY20
MOQ: 50



(Low)

Antanker No.	OEM No.	Model
AT1208-RBY20-01		EY20

RECOIL STARTER AND CUP KIT

REPLACES: Yanmar
L48 L70
MOQ: 50



Antanker No.	OEM No.	Model
AT1208-YM170-00		L48
AT1208-YM178-00		L70

HEAD COVER WASHER KIT

REPLACES: Honda
GX240 GX270
GX340 GX390
MOQ: 100



(Metal Washer, Rubber Gromet & Bolt)

Antanker No.	OEM No.	Model
AT1209-HD240-00		GX240
AT1209-HD270-00		GX270
AT1209-HD340-00		GX340
AT1209-HD390-00		GX390

RECOIL STARTER AND CUP KIT

REPLACES: Yanmar
L100
MOQ: 50



Antanker No.	OEM No.	Model
AT1208-YM186-00		L100

CYLINDER HEAD KIT

REPLACES: Wacker
WM80
MOQ: 30



Bore:45mm

Antanker No.	OEM No.	Model
AT1210-WM80-00		WM80

SCREW AND KEY KIT
REPLACES: Honda

GX160 GX200

GX240 GX270

MOQ: 50

FOR REDUCTION GEARBOX

Antanker No.	OEM No.	Model
AT1211-HD160-00		GX160
AT1211-HD200-00		GX200
AT1211-HD240-00		GX240
AT1211-HD270-00		GX270

FUEL FILTER ELEMENT
REPLACES: Yanmar

L48 L70 L100

MOQ: 200

(with washer)

Antanker No.	OEM No.	Model
AT1213-YM170-00		L48
AT1213-YM178-00		L70
AT1213-YM186-00		L100

CLUTCH KIT
REPLACES: Honda

GX120 GX160 GX200

GX240 GX270

MOQ: 50

(1Pressure, 2Clutch Plate, 2Friction)

Antanker No.	OEM No.	Model
AT1212-HD120-00		GX120
AT1212-HD160-00		GX160
AT1212-HD200-00		GX200
AT1212-HD240-00		GX240
AT1212-HD270-00		GX270

throttle cable and swivel assembly
REPLACES: Honda

GX120 GX160 GX200

GX240 GX270 GX340

GX390

MOQ: 100


Antanker No.	OEM No.	Model
AT1214-HD120-00		GX120
AT1214-HD160-00		GX160
AT1214-HD200-00		GX200
AT1214-HD240-00		GX240
AT1214-HD270-00		GX270
AT1214-HD340-00		GX340
AT1214-HD390-00		GX390

FUEL TUBE KIT
REPLACES: Honda

GX120 GX160 GX200

GX240 GX270 GX340

GX390

MOQ: 100

(fuel tube, supporter and clamps)

Antanker No.	OEM No.	Model
AT1215-HD120-00		GX120
AT1215-HD160-00		GX160
AT1215-HD200-00		GX200
AT1215-HD240-00		GX240
AT1215-HD270-00		GX270
AT1215-HD340-00		GX340
AT1215-HD390-00		GX390

ANTANKER

PARTS

ACCESSORIES

TRIMMER

LINE

TRIMMER LINE FOR TRIMMER / BRUSHCUTTER



ROUND



SQUARE



STAR



HEXAGON



Round

ANTANKER NO.	PACKAGE TYPE	LENGTH
0.095"		
ATTL-RD095-1/2	1/2 lb. blister donut	145'
ATTL-RD095-1	1 lb. blister donut	285'
ATTL-RD095-3	3 lb. spool	860'
ATTL-RD095-5	5 lb. spool	1430'
0.105"		
ATTL-RD105-1/2	1/2 lb. blister donut	118'
ATTL-RD105-1	1 lb. blister donut	236'
ATTL-RD105-3	3 lb. spool	709'
ATTL-RD105-5	5 lb. spool	1181'

Square

ANTANKER NO.	PACKAGE TYPE	LENGTH
0.095"		
ATTL-SQ095-1/2	1/2 lb. blister donut	145'
ATTL-SQ095-1	1 lb. blister donut	285'
ATTL-SQ095-3	3 lb. spool	860'
ATTL-SQ095-5	5 lb. spool	1430'
0.105"		
ATTL-SQ105-1/2	1/2 lb. blister donut	118'
ATTL-SQ105-1	1 lb. blister donut	236'
ATTL-SQ105-3	3 lb. spool	709'
ATTL-SQ105-5	5 lb. spool	1181'

Star

ANTANKER NO.	PACKAGE TYPE	LENGTH
0.095"		
ATTL-ST095-1/2	1/2 lb. blister donut	170'
ATTL-ST095-1	1 lb. blister donut	338'
ATTL-ST095-3	3 lb. spool	1014'
ATTL-ST095-5	5 lb. spool	1690'
0.105"		
ATTL-ST105-1/2	1/2 lb. blister donut	141'
ATTL-ST105-1	1 lb. blister donut	282'
ATTL-ST105-3	3 lb. spool	843'
ATTL-ST105-5	5 lb. spool	1404'

Hexagon

ANTANKER NO.	PACKAGE TYPE	LENGTH
0.095"		
ATTL-HX095-1/2	1/2 lb. blister donut	144'
ATTL-HX095-1	1 lb. blister donut	285'
ATTL-HX095-3	3 lb. spool	860'
ATTL-HX095-5	5 lb. spool	1430'
0.105"		
ATTL-HX105-1/2	1/2 lb. blister donut	118'
ATTL-HX105-1	1 lb. blister donut	236'
ATTL-HX105-3	3 lb. spool	709'
ATTL-HX105-5	5 lb. spool	1181'

TRIMMER LINE FOR TRIMMER / BRUSHCUTTER



MAGNUM ROUND



MAGNUM SQUARE



TWIST



Magnum Round

ANTANKER NO.	PACKAGE TYPE	LENGTH
0.095"		
ATTL-MD095-1/2	1/2 lb. blister donut	
ATTL-MD095-1	1 lb. blister donut	
ATTL-MD095-3	3 lb. spool	
ATTL-MD095-5	5 lb. spool	
0.105"		
ATTL-MD105-1/2	1/2 lb. blister donut	
ATTL-MD105-1	1 lb. blister donut	
ATTL-MD105-3	3 lb. spool	
ATTL-MD105-5	5 lb. spool	

Magnum Square

ANTANKER NO.	PACKAGE TYPE	LENGTH
0.095"		
ATTL-MS095-1/2	1/2 lb. blister donut	
ATTL-MS095-1	1 lb. blister donut	
ATTL-MS095-3	3 lb. spool	
ATTL-MS095-5	5 lb. spool	
0.105"		
ATTL-MS105-1/2	1/2 lb. blister donut	
ATTL-MS105-1	1 lb. blister donut	
ATTL-MS105-3	3 lb. spool	
ATTL-MS105-5	5 lb. spool	

Twist

ANTANKER NO.	PACKAGE TYPE	LENGTH
0.095"		
ATTL-TW095-1/2	1/2 lb. blister donut	
ATTL-TW095-1	1 lb. blister donut	
ATTL-TW095-3	3 lb. spool	
ATTL-TW095-5	5 lb. spool	
0.105"		
ATTL-TW105-1/2	1/2 lb. blister donut	
ATTL-TW105-1	1 lb. blister donut	
ATTL-TW105-3	3 lb. spool	
ATTL-TW105-5	5 lb. spool	

TRIMMER

HEAD

Trimmer Head

Picture	Antanker No.	Description	Type	MOQ
	AT-TR1209-01	Tap-n-go trimmer head with 10x1.0 left hand female with 2.4mm*2.5 round trimmer line	Stihl 25-2	2000
	AT-TR2209-02	Tap-n-go trimmer head with 10x1.0 left hand female with 2.4mm*2.5 round trimmer line	Stihl 40-4	2000
	AT-TR329-03	Tap-n-go trimmer head with 10x1.0 left hand female with 2.4mm*2.5 round trimmer line	Stihl 40-2	2000
	AT-TR1205-04	Manual trimmer head with 10x1.25 left hand female with 2.4mm*2.5 round trimmer line	Shindaiwa	2000
	AT-TR1221-05	with 10x1.25 left hand female		2000
	AT-TR2221-06	with 10x1.25 left hand female		2000
	AT-TR1104-07	Whips trimmer head With 2 gasket	Aluminium alloy	2000
	AT-TR1101-08	Whips trimmer head With 2 gasket	Aluminium alloy	2000
	AT-TR1209-09	Tap-n-go trimmer head with 10x1.0 left hand female with 2.4mm*2.5 round trimmer line	Stihl 25-2	2000
	AT-TR1240-10	Tap-n-go trimmer head with 10x1.0 left hand female with 2.4mm*2.5 round trimmer line	Hus T35	2000
	AT-TR1239-11	Mini Tap-n-go trimmer with 10x1.0 left hand female with 2.4mm*2.5 round trimmer line	Hus T25	2000

Trimmer Head

Picture	Antanker No.	Description	Type	MOQ
	AT-TR1216-12	Easy load tap-n-to trimmer head with 10x1.25 left hand female with 2.4mm*2.5 round trimmer line		2000
	AT-TR1222-13	Mini tap-n-go trimmer head 1 knob 2.0mm*2.5m round trimmer line		2000
	AT-TR1222-14	Mini tap-n-go trimmer head 3 knob 2.0mm*2.5m round trimmer line		2000
	AT-TR1206-15	Heavy duty Tap-n-go trimmer head Heavy duty Tap-n-go trimmer head with 2.4mm*2.5 round trimmer line	Emark style	2000
	AT-TR1207-16	Heavy duty Tap-n-go trimmer head Universal mounting with 10x1.0 left hand female with 2.4mm*2.5 round trimmer line	Emark style	2000
	AT-TR2206-17	Heavy duty Tap-n-go trimmer head with 10x1.0 left hand female with 10x1.0 left hand female	Emark style	2000
	AT-TR2207-18	Heavy duty Tap-n-go trimmer head Universal mounting with 10x1.0 left hand female with 2.4mm*2.5 round trimmer line	Emark style	2000
	AT-TR1102-19	Whips trimmer head Universal style 3 gaskets 3.0mm*30cm	Aluminium alloy	2000
	AT-TR2102-20	Whips trimmer head Universal style 3 gaskets 3.0mm*30cm	Aluminium alloy	2000
	AT-TR3102-21	Whips trimmer head Universal style 3 gaskets 3.0mm*30cm	Aluminium alloy	2000
	AT-TR1103-22	Whips trimmer head Universal style 3 gaskets 3.0mm*30cm	Aluminium alloy	2000

Spindle





Lawn Mower Spindle

Picture	Antanker No.	DESCRIPTION	REFERENCE NO	MOQ
	ATSPLO001	Spindle Assembly for AYP 165579 Without pulley. Fits 36" & 42" Cut Deck, Length 7" Includes Shaft, Housing, Pulley lock nut and 3 mounting screws. THIS SPINDLE HAS LEFT-HAND THREADS FOR THE BLADE BOLT AND 6 STARS	AYP/ROPER/ SEARS: 165579 Husqvarna: 532165579 Raisman: 80-11-758 Rotary: 9574 TSB: 502-0006L	50
	ATSPLO002	Spindle Assembly for AYP 130794 with 5/16-18 Tapped Hole, Without pulley. Fits (914 mm) 36", 38" & 42" With Ventilated Decks Using 5 Point Star Center Hole Blades Length 7". Includes Blade bolt, washer, pulley nut	AYPAYP:128285128285 130794130794 Dixon: 16626 Husqvarna: 532130794 Oregon: 82-225 Prime line: 7-03127 Raisman: 80-11-742/80-11-742N	50
	ATSPLO003	Spindle Assembly for AYP 130794 with 3 mounting screws Without pulley. Fits (914 mm) 36", 38" & 42" With Ventilated Decks Using 5 Point Star Center Hole Blades Include sblade bolt, washer, pulley nut, and 3 mounting screws.	Rotary: 1272312723 // 84798479 Stens: 285-456 Sunbelt: B1RS25 TSB: 502-0003	50
	ATSPLO004	Spindle Housing Used in AYP 130794,165579 Complete Assembly Length 5 1/2" Housing is cast aluminum and the three holes are not threaded Uses 3 Self Tapping Bolts (not included), 5/16-18 x 1- 1/4", to mount spindle to mower deck	AYP/ SEARS: 128774 Husqvarna: 532 12 8774 Viking 6109-004-2009 Foley/Belsaw 5979971 Napa : 7-03125 NHCNHC 06410641 Oregon: 82-220 0Prime Line 7-03125 Ratio Parts 22-871	50
	ATSPLO005	Spindle Housing Used in AYP 130794, 165579 Complete Assembly FERRIS--Fits 36", 38" &42" With Ventilated Decks Using 5 Point Star Center Hole Blades Cast aluminum housing with 3 bolt	Raisman: 80-11-741 80-11-741N Rotary: 8548 Stens: 285-441 Sunbelt: B1RS30	50

Lawn Mower Spindle

Picture	Antanker No.	DESCRIPTION	REFERENCE NO	MOQ
	ATSPLO006	Heavy-Duty Spindle Housing Used in AYP 130794, 165579 Complete Assembly FERRIS--Fits 36", 38" & 42" With Ventilated Decks Usingg 5 Point Star Center Hole Blades Length 5 1/2", Cast aluminum housing with 3 bolt	AYP/ROPER/SEARS: 128774 Husqvarna: 532 12 87-74 Oregon: 82-024HD Raismg an: 80-11-741 HD	50
	ATSPLO007	Heavy Duty Lawn Mower Spindle for AYP 130794 Length 7", Include Heavy Duty Spindle housing, and the three holes are not threaded,Uses 3 Self Tapping Bolts (not included), 5/16-18 x 1- 1/4", to mount spindle to mower deck, sblade bolt, washer, pulley nut.	AYP: 130794 Husqvarna: 532 13 07-94 McCulloch: 532 13 07-94 Oregon: 82-014 Rotary-12723 stens :285-383	50
	ATSPLO008	Heavy Duty Lawn Mower Spindle Fits (914 mm) 36", (965 mm) 38" & (1067 mm)42" With Ventilated Decks Using 5 Point Star Center Hole Blades Include Heavy Duty Spindle housing, sblade bolt, washer, pulley nut, and 3 mounting screws. Without pulley.	SearsSears 180074180074 Progarden 13-179 Raisman: 80-11-742-HD Sunbelt:B1RS25HD	50
	ATSPLO009	Spindle Shaft Kit w With Bearings. for AYP 137646 Length: 7" - OD: 3/4" Includes Shaft、 Top & Bottom Bearing, Washer, Pulley Lock-nut AYPAYP 36", 38" andand " Cut Ventilatedentilated Decksecks Using Star Shaped Center Hole Blades	AYP: 137645 Husqvarna: 532 13 76-45 / 532 13 76-46 Partner: 532 13 76-46 Viking: 6109-004-2010 Stens: 285-464 Raisman: 80-11-740 W Oregon: 85-017	50
	ATSPLO010	Spindle Shaft kit for AYP EHP Sears Roper 165482, Fits 36" rear discharge mowers thru 1999 , Six Point Star Includes Shaft, Top & Bottom Bearing, Washer, Pulley, Lock-nut THIS SPINDLE HAS LEFT-HAND THREADS FOR THE BLADE BOLT AND 6 STARS	AYP/ROPER/SEARS: 165482 532165482 Husqqvarna: 532165482 Raisman: 80-11-759W Rotary: 9575 Oregon: 82-034 TSB: 101-3086L	50





Lawn Mower Spindle

Picture	Antanker No.	DESCRIPTION	REFERENCE NO	MOQ
	ATSPLO011	Spindle Assembly for AYP/Electrolux 143651, Husqvarna 532143651 AYP --Fits 44", 46", and 50" decks. 3-bolt short housing. 5 point star center hole. Length 4 7/8" Housing is cast aluminum and the three holes are not threaded	AYP/ Roper/Sears 143651 Husqvarna: 532 14 36-51 Oregon: 82-510	50
	ATSPLO012	Spindle Assembly for AYP/Electrolux 143651, Husqvarna 532143651 AYP /HUSQVARNA--Fits 1118 mm (44"), 1168 mm (46") and 1270 mm (50") decks. 3-bolt short housing. 5 point star center hole. Spindle assembly comes with blade bolt, washer, pulley nut, and 3 mounting screws	Raisman: 80-11-750 80-11-750N Rotary: 9519 Stens: 285-041 Sunbelt: B1RS25	50
	ATSPLO013	Spindle Housing AYP/HUSQVARNA --Fits 44", 46" and 50" ventilated decks using star shaped center blades Height 3 1/2" Cast aluminum housing with 3 bolt	Foley/Belsaw: 5980101 Laser :97642 AYP137152 Husqvarna: 532 13 71-52 Stens: 285-369 NHC:252-0669 Oregon: 82-221 Prime Line :7-05273 Progarden# 13-310 Raisman: 80-11-751N Rotary: 9521	50
	ATSPLO014	Heavy Duty Lawn Mower Spindle Assembly for AYP/Electrolux 143651, Husqvarna 532143651 Height 4 7/8" AYP /HUSQVARNA--Fits 1118 mm (44"), 1168 mm (46") and 1270 mm (50") decks. 3-bolt short housing. 5 point star center hole. Spindle assembly comes with blade bolt, washer, pulley nut, and 3 mounting screws	AYP/ Roper/Sears 143651 Husqvarna: 532 14 36-51 Oregon: 82-510 Raisman: 80-11-750N Rotary:: 95199519 Stens: 285-041 HD Sunbelt: B1RS25	50


Lawn Mower Spindle

Picture	Antanker No.	DESCRIPTION	REFERENCE NO	MOQ
	ATSPLO017	Heavy Duty Lawn Mower Spindle Housing AYP/HUSQVARNA --Fits 44", 46" and 50" ventilated decks using star shaped center blades Height 3 1/2" Cast aluminum housing with 3 bolt	AYP137152 Foley/Belsaw: 5980101 Laser :97642 Husqvarna: 532 13 71-52 Stens: 285-369 HD NHC :252-0669 Oregon: 82-221 HD Prime Line :7-05273 Progarden# 13-310 Raisman80-11-751NHD Rotary: 9521	50
	ATSPLO018	Pulley lock nut Pulley lock nut replaces AYP 137266 & 139729, 178342,4002434 OD 1/4" Built-in washer Thread 9/16" -18, Thickness 3/4" Fits our 100 0001/ 100 0002/ 100 0003.../100 0014 Spindle Assembly Also replaces Murray 15x140	Husqvarna: 5321372-66 5321397-29 Raisman: 80-11-743 Rotary: 8901 Oregon: 04-001 Stens: 285-476	50
	ATSPLO019	Spindle Shaft Kit w With Bearings. for AYP/ROPER/SEARS: 137553 Length: 4-7/8" - OD: 3/4" Includes Shaft, Top & Bottom Bearing, Washer, Pulley Lock-nut Spindle shaft for 44" & 50" ventilated decks	Husqvarna: 532137553 Prime Line: 7-05274 Raisman: 80-11-752W Ratio Parts: 22-556 Rotary: 9520	50
	ATSPLO020	Spindle Shaft Kit w With Bearings. for AYP 137553 Length: 4-7/8" OD: 3/4" Includes Shaft, Bottom Bearing	Laser:197641 NHC :260-0673 Oregon: 85-023 TSB: 101-3073 Sunbelt: B1RY21	50
	ATSPLO021	Spindle Shaft Kit w With Bearings. for AYP 137553 Lenggth: 4-7/8" - OD: 3/4" Just Shaft	Stens: 285-373	50

Lawn Mower Spindle

Picture	Antanker No.	DESCRIPTION	REFERENCE NO	MOQ
	ATSPLO022	6204-2RS Spindle Bearing Fits Specs: ID:.787" OD: 1.850" Height:.550"	Ariens: 21546300 Dixon: 532187291 Husqvarna: 532187291,532192872 McCulloch: 532 18 72-91, 532 19 28-72, Partner: 532 13 76-46 Prime Line: 7-03183 Ratio Parts :122-116 Raisman: 80-12-003 ROTARY :11592 Oregon: 85- 032 85- 033 Tsb: 101-3122	50
	ATSPLO023	6203-2RS Spindle Bearing series Specs: ID: .669" OD: 1.575" Height: .475"	AYP: 110485 110485X MTD: 741-0124 Husqvarna: 5321104-85 John Deere: JD8535 stens: 230-060 MTD 074 084 114 and 314	50
	ATSPLO024	4 hole mount Lawn Mower Spindle Assembly for AYP/Electrolux : 187292, 192870, 532192870 Oregon: 2-026, Dixon: 532187292 LengtLhh 7-71/2"1/2" Includes Top nut, bottom bolt, washer, 4 screws, grease zerk AYP--Fits 46", 48"& 1372 mm (54") With Ventilated Decks Using 5 Point Star Center Hole Blades	Ariens: 21546238 Dixon: 532192870 Husqvarna: 532187292 532187281 532192870 539112057 587125401 McCulloch: 532192870 Poulan: 532192870 Raisman: 80-12-001 Rotary :11590 Stens: 285-585 Sunbelt: B1RS45	50
	ATSPLO025	4 hole mount Lawn Mower Spindle Housings Fit AYP/Craftsman : 182292, 187281, 192870, Stens: 285-765 Overall Height 5-1/2" Outer Diameter 4-3/4" Inner diameter 1-5/8" Clearance 4" Includes 4-bolt long housing with bolt. Spindle Housing fits AYP 187281 Lawn Mower 46", 48" and 54" Decks	Dixon: 532187292 Husqvarna: 532187281 532187292 532192870 Oregon: 82-026 Poulan: 532192870 Raisman: 80-12-002 Rotary :11590 Sunbelt: B1RS47	50
	ATSPLO026	M8*1 grease zerk Fits our 100 0024 Spindle Assembly iron casting and shaft	M8*1 grease zerk	50

Lawn Mower Spindle

Picture	Antanker No.	DESCRIPTION	REFERENCE NO	MOQ
	ATSPLO027	Spindle Shaft kit W /lower Bearing For AYP/ROPER/SEARS: 187291 187292 192872, 532187291 532187292, Stens: 285-766, Height 7 1/2" Shaft with zerk、 lower Bearing, Seal,Grass shield, for 46", 48" and 54" decks Fits our 100 0024 Spindle Assembly	Ariens: 21546300 Dixon: 532187291 Husqvarna: 532187291,532192872 McCulloch: 532 18 72-91, 532 19 28-72, Partner: 532 13 76-46 Prime Line: 7-03183 Ratio Parts :122-116	50
	ATSPLO028	Spindle Shaft For AYP 192872 Height 7 1/2" Just Shaft with zerk Fits our 100 0024 Spindle Assembly Spindle shaft for 46", 48" and 54" decks	Raisman: 80-12-003 ROTARY :11592 Oregon: 85- 032 85- 033 Tsb: 101-3122	50
	ATSPLO029	4 hole mount Lawn Mower Spindle Assembly for AYP 174356, 174358, • NHC: 251-0608, Husqvarna 532 17 43-56 Fits 2002 & Up Length 5 29/32 " OVERALL Includes shaft, bearings, & dust cap, 4 screws ,Grease fitting on threaded end AYP/ELECTROLUX -- Fits 48" deck 2002 and newer Husqvarna -- Fits GT 2248, GTH 2248, GTH 2548, YTH 1848XP, YTH2448, YTH 2748, & Z Series , Jonsered LT19A LT2119A LT2122A and LT2122A2	Husqvarna: 532 17 4356 Jonsered: 532 17 43 58 Bynorm: 090-189 Laser: 97696 Oregon: 82-015 Prime Line :7-03179 Ratio parts:22-903 Raisman: 80-12-004 Rotary : 11014 Stens: 285-108 TSB: 502-0094	50
	ATSPLO030	174358 Mandrel 4 hole mount Lawn Mower Spindle Housing in the 174356 spindle assembly. (with 4 screws) Used on Craftsman, Poulan, Husqvarna, and more. This is used on mostly on 48" decks but not all 48" decks used this partt. This is the housing only for the shorter 6" tall 174356 spindle assembly	AYP : 174358 Raisman: 80-12-005 Husqvarna 532174358.	50





Lawn Mower Spindle

Picture	Antanker No.	DESCRIPTION	REFERENCE NO	MOQ
	ATSPL0031	Spindle Shaft kit W /lower Bearing For AYP 174360. Spindle only for our 100 0027 spindle assembly. Height 154,5 mm Includes shaft with zerk lower Bearing Seal, Grass shield. Spindle shaft for 48" decks	AYP: 174360 Codice: 22-904 Husqvarna: 532174360 Oregon: 85-040 Raisman: 80-12-006	50
	ATSPL0035	Includes Shaft with zerk Fits our 100 0029 Spindle Assembly		50
	ATSPL0032	Spindle Assembly for John Deere:GY20050 GY20785, Height 6 3/8" Includes housing, shaft, 2 bearing, grease fitting, spacer, nut,blade adapter, Top lock nut, 2 M10*30 bolt Fits John Deere L100, L107, L108, L110, L120, L130, and GX25 with 1067 mm (42") and 1219 mm (48") decks	Bynorm: 090-169, Dealer Choice: 39-2210 John Deere:GY20050 GY20785 NHC: 251-5593 OOregon: 82-356 Prime Line: 7-03175	
	ATSPL0033	Spindle Assembly for John Deere:GY20050 GY20785. Height 6 3/8" Includeshousing, shaft, 2 bearing, grease fitting, spacer, nut, blade adapter, Top lock nut	Rotary : 11206 Stens: 285-093 Sunbelt: B1JD37 80-12-073	
	ATSPL0034	Spindle Shaft for John Deere Deck Blade Spindle Shaft-GX20150 .(Just shaft) Thread: 9/16"-18 UNF, 5/8-18UNF Fits our 100 0031/100 0032 Spindle Assembly Spindle shaft for 42" and 48" decks	John Deere: GX20150	50








Lawn Mower Spindle

Picture	Antanker No.	DESCRIPTION	REFERENCE NO	MOQ
	ATSPLO037	<p>Spindle Assembly for John Deere GY20454 GY20867 GY20962 GY21098 Thread: 9/16"-18 UNF, 5/8-18UNF Includes grease zerk, pulley lock nut, blade lock nut, and washer Fits D100, D110, D130, D140,D150,D160, LA100, LA105, LA110, LA115, LA120, LA125,LA130,LA135, LA140, LA145, LA155, LA165, X110, X120, X140. 100 series riders since 2006. 7 point star. Used on 42", 48" & 54" decks.</p>	<p>John Deere: GY20454, GY20867 , GY2096, GY21098 Oregon: 82-359 RaismRaismaan: 80 1280-12-041 Stens: 285-851 TSB: 502-0039 Sunbelt: B1JD122</p>	50
	ATSPLO039	<p>Spindle Shaft for Murray Spindle Jack shaft 774091/94129, Length 7" OD 5/8" , 1 1/2" OD shoulder Thread 9/16"-18 UNF, 5/8-18UNF</p>	<p>Murray: 774091MA Oregon: 85-028 Rotary : 9906 Stens: 285-097 Jackshaft: 94129</p>	50
	ATSPLO041	<p>Spindle Assembly for John Deere GY21099, GY20867,54" Length 6 1/5", OD 5" Includes grease fitting 7 pt. star spindle shaft Fits John Deere G110, 190C, LA150, LA175, and D170 54" Decks</p>	<p>John Deere:GY21099 GY20867 Oregon: 82-360 Rotary : 12495 Stens: 285-883</p>	50
	ATSPLO044	<p>Spindle Assembly for Bobcat 36006N Exmark 3032030 Jacobsen 552189 Snapper 362024 5-9759 Length 5 3/16 " OVERALL ID 5/8" Shaft, OD 1" Shaft 1/4" Keyway with grease fitting,use 6305-2RS bearings, housing, shaft, bearings, grease fitting Fits - Bobcat 32" and 36" decks with short shaft Exmark Outside spindle of 48" decks, 32" and 36" decks with short shaft</p>	<p>Jacobsen: 552188 Kees: 101455, 362024 Lesco: 050135 Oregon: 82-306. 82-316 Prime Line: 7-03103 Rotary : 1226 Snapper: 5-9759, 7-6379, 7059759 Stens: 285-809 Sunbelt: B1CO76</p>	50

Lawn Mower Spindle

Picture	Antanker No.	DESCRIPTION	REFERENCE NO	MOQ
	ATSPLO045	Spindle Shaft for Oregon 82-303 Fits 82-306 Keyway 1/4" Fits our 100 0044 Spindle Assembly Spindle shaft for 32"& 36" decks	BOBCAT 33002-1 EXMARK 322164 JACOBSEN 552188 KEES 363008	50
	ATSPLO046	Replacement Spindle Assembly for Bobcat 36082N, JACOBSEN 552312,48" deck with long shafts Length 6 1/4" OVERALL , 1/4" Keyway ID 5/8" Shaft, OD 1" Shaft Includes housing, shaft, bearings, grease fitting Fits BOBCAT 48" cut decks with long shaft Prime Line: 7-03102 ,• Sunbelt: B1CO77 Thomas: JT-130	Exmark: 1-402006, Kees: 101446, 482005 NHC : 251-1140 Oregon: 82-307-0 Raisman: 80-12-047 Rotary : 1227, Snapper: 5- 9964, 7-6645, 7059964, 7059964YP Stens: 285-940	50
	ATSPLO047	Lawn Mower Spindle Shaft 6- 1/4" Bobcat/ Bunton Ryan 33002-3A Length 6 1/4" Keyway 1/4" OD .987" - ID 5/8" (.625") Fits our 100 0046 Spindle Assembly Spindle shaft for BOBCAT 48" cut decks	Bobcat 33002-3A Kees 483001 SNAPPER 2-7710 SNAPPER 77376 Oregon: 82-304 fits 82-307 and others	50
	ATSPLO049	John Deere: AM106236, AM122797, Bobcat/ RANSOMES: 36082N -- Fits Models Bunton 36", 40", 48", 52" and 61" Cut Decks Length 6 1/2" OVERALL ID 5/8" Shaft, OD 5-1/4" 1" Shaft , 1/4" x 2 1/2"Keyway Includes Aluminum Housing., With Grease Fitting. shaft, bearings	Bunton:PAL0806A, PL4606A PL6140A Bunton: 1985145 John Deere:AM125643 John Deere :PT8633 Lesco :050164 Oregon: 82-308 Stens: 285-217 Raisman: 80-11-863	50
	ATSPLO050	Lawn Mower Spindle Shaft Replaces Bunton PL4607, PL6139. Length 6 1/2" OD .987" ID 5/8" (.625") Keyway 1/4" Fits our 100 0049 Spindle Assembly Spindle shaft for BCAT 4488" cut decks	BUNTON-GOODALL: PL4607, PL6139 PRIME LINE: 7-03106 STENS: 285-807 SUNBELT: B1CO8188 Bobcat 33002-3A	50

Lawn Mower Spindle

Picture	Antanker No.	DESCRIPTION	REFERENCE NO	MOQ
	ATSPLO051	Spindle Housings Fit our AAA'S # 100 0044, 100 0046, 100 0049 Spindle Assembly	Bobcat 31002B TSB: 239-0027	50
	ATSPLO052	Spindle Assembly for Scag 461663, Ferris 1530301/ 5061033/30301, Wright Mfg:71460007, 95460016, Without pulley Keyway 1/4" , Height 7-3/16" ID 5/8" , OD 1" Includes Grease fitting and relief valve WRIGHT MFG --48", 52" and 61" cut decks, serial numbers 20425 and higher for Wright Stander mowers	Encore: 71460007 Lesco: 050194 Oregon: 82-309 Raisman: 80-11-723 Rotary: 5722 Scag: 46400 Snapper: 3036300, Stens: 285-201	50
	ATSPLO053	Lawn Mower Spindle Shaft for Scag 461663, Ferris 5061033/30301 Length 7-3/16" OD .987" ID 5/8" (.625") Keyway 1/4" Fits our 100 0052 Spindle Assembly	Ferris 1541480 Jacobsen 182246 Scag 43001-02 OREGON 82-305 PRIME LINE 7-03105 Rotary 5722 SCAG 43001-02 STENS 285-813 SUNBELT B1CO74	50
	ATSPLO054	Fits Encore 36" 48" 52" and 60" Walk Behind Mowers Length 7-3/16" OVERALL ID 5/8" Shaft - OD 5-1/4" Keyway 5/16" Includes Aluminum Housing., With Grease Fitting. shaft, bearings	Encore 362044 Encore 422022 Stens 285-184	50
	ATSPLO055	Lawn Mower Spindle Shaft for Scag 461663, Ferris 5061033/30301 Length 7-3/16", Keyway 5/16" OD .987", ID 5/8" (.625") Fits our 100 0054 Spindle Assembly	AAA'S#100 0055	50
	ATSPLO056	Spindle Housings Fit our AAA'S # 100 0052, 100 0054 Spindle Assembly	AAA'S # 100 0056	50
	ATSPLO057	Fits AAA'S#100 0058 spindle assembly	Ariens: 200045 TSB: 210-0020	50

Lawn Mower Spindle

Picture	Antanker No.	DESCRIPTION	REFERENCE NO	MOQ
	ATSPLO058	Spindle Assembly Replace EverRide Lawn Mowers 200262, Height 6" Overall Includes Aluminum Housing, 12 splines on threaded end with mounting studs Everride 200262 on Chariot, Chariot Jr., Gateway, Scamper and Super Surfer models with 36", 48", and 52" decks Will not replace D18030 on certain 61" decks. Please compare to original before ordering.	Great Dane D18030 Everride 200262 Raisman: 80-11-776 Sunbelt : B1GR5 MFG: 10-12778, 79-1063 Stens 285-181	50
	ATSPLO059	Spindle Housing for Everride 200262 with Bolt Fits our 100 0058 spindle assembly.	Ariens 200042	50
	ATSPLO060	Lawn Mower Spindle shaft for Everride 200262	Ariens 200043, 200196	50
	ATSPLO061	Spindle assembly with PULLEY replaces Cub Cadet 918-0660B, 618-0660A. Includes nut, spacer and grease zerk, using 3 pt. star shaft Fits models LT1045, LT1046 and I1046 series mowers with 46" decks using star hole blades	Cub Cadet (Troy-Bilt) : 618-0660B 918-0660 MTD 618-04137, 618-04137A, 618-0625, 618-0625A, 618-0625B, 618-0660A, 618-0990B, 918-0413704137, 918-04137A918-04137A, 918-0625B, 918-0660,	50
	ATSPLO062	OD: 4" --Height: 6 1/2" OVERALL Includes nut spacer and grease zerk, using 3 pt. star shaft, Without pulley	918-0660A, 918-0660B MFG: 10-12967 Stens 285-969 Oregon 82-409	50
	ATSPLO063	Spindle assembly with PULLEY replaces Cub Cadet 918-0660B, 618-0660A. Includes nut, spacer and grease zerk, Fits models LT1045, LT1046 and I1046 series mowers with 46" decks using 6 pt star hole blades	918-0660A, 918-0660B MFG: 10-12967 Stens 285-969 Oregon 82-409	50

Lawn Mower Spindle

Picture	Antanker No.	DESCRIPTION	REFERENCE NO	MOQ
	ATSPLO064	OD: 4" --Height: 6 1/2" OVERALL Includes nut spacer and grease zerk, 6 pt. star without pulley	Rotary 12967 80-12-035	50
	ATSPLO070	Spindle Assembly Including Pulley(756-0969) For MTD 618-0111, 618-0116, 918-0116, 618-0116B, 618-0116C, 618-0116P OD of Pulley: 5 " using for 3 pt. star center hole, 46" decks, 1995 and 1996 New style, longer housing (shaft is same length)		50
	ATSPLO071	Spindle Assembly Including Pulley (756-0969) For MTD 618-0111, 618-0116, 918-0116, 618-0116B, 618-0116C, 618-0116P OD of Pulley: 5 " using for 6 pt. star center hole, 46" decks, 1995 and 1996 New style, longer housing (shaft is same length)	MTD 618-0111, 618-0116, 918-0116, 618-0116B, 618-0116C, 618-0116P MTD 618-0111, MTD 618-0116A, 918-0116B, 918-0116C Rotary 92849284,	50
	ATSPLO072	Spindle Assembly Without pulley For MTD 618-0111, 618-0116, 918-0116, 618-0116B, 618-0116C, 618-0116P New style, longer housing (shaft is same length), Fits 46" cut, 3pt. star hole blades from 1994 -1997. Uses single pulley	Laser 97545, Prime Line 7-05283, Dealer Choice 39-2120, Oregon 82-512 MTD 618-0116C Stens 285-863	50
	ATSPLO073	Spindle Assembly Without pulley For MTD 618-0111, 618-0116, 918-0116, 618-0116B, 618-0116C, 618-0116P New style, longer housing (shaft is same length), Fits 46" cut, 6 pt. star hole blades from 1994-1997. Uses single pulley		50

Lawn Mower Spindle

Picture	Antanker No.	DESCRIPTION	REFERENCE NO	MOQ
	ATSPLO076	MTD Spindle Assembly fits star hole blades, fits center and right hand on 46" deck, 600 & 800 series riders, yrs 1997 to current. MTD 46" decks, 1997 and newer; Toro 13AX60RH744 spindle shaft 3 pt. star New style, longer housing (shaft is same length)	MTD 918-0240C 618-0240C,618-0240, 918-0240, 618-0430A MTD 918-0240A,918-0240A, 918-0430C, 918-0240C, Stens 285-861 Toro 112-0311 Dealer Choice 39-2110	50
	ATSPLO077	MTD 618-0430, 918-0430A, 918-0430,918-0430B OD of Pulley: 5 ", Pulley included, spindle shaft 6 pt. star New style, longer housing (shaft is same length)	Dealer Choice 39-2110, Laser 97547, Oregon 82-515, Prime Line 7-05285, Rotary 9286, Rotary 12448	50
	ATSPLO080	MTD 918-0241B Spindle Assembly for 46-Inch Decks The part number 618-0241 has been changed to 918- 0241B. Deck spindle assembly for 46" mower decks with 3 pt star shaft Includes pulleys.	MTD 918-0241B, 618- 0241 , 618-0241B , 618- 0431 , 618-0431B , 618- 0431C , 918-0241 918- 0431 , 918-0431B , 918-0431C Dealer Choice 39-2140, Laser 97548,	50
	ATSPLO081	Height: 6 ", Deck spindle assembly for 46" mower decks with 6 pt star shaft Includes pulleys.	Oregon 82-516, Prime Line 7-05286, Rotary 9287 Stens 285-860	50
	ATSPLO082	Fits MTD Fits 46" Cut Deck / De Corte Star hole blades from 1994-1997 Fits MTD 600 Series in all positions and 800 Series RH short housing, 3 pt star shaft	MTD 618-0112, 618- 0117, 918-0117 Raisman: 80-11-733	50
	ATSPLO083	Spindle Shaft Fits AAA'S # 100 0082 Spindle Assembly Length 5-1/2", OD .785", Bolt Threads 7/16" - 20, Nut Threads 5/8" - 18	MTD: 918-0117 TSB: 101-3076	50

Lawn Mower Spindle

Picture	Antanker No.	DESCRIPTION	REFERENCE NO	MOQ
	ATSPL0086	Spindle Assembly Includes pulleys. Height: 5 1/2" Deck spindle assembly for 46" mower decks with 3 pt star shaft	MTD 918-0117B Rotary 9285 Laser 97544 Prime Line 7-05284 Dealler Choice 3399-2150 Oregon 52-511, Oregon 85-053, Laser 97549, Mow More SH8187, Edgewater 59530 MTD 918-0117B,618-0117,918- 0117, 618-0112,918-0117A Stens 285-864	50
	ATSPL0088	Spindle Assembly Replace MTD,Cub Cadet,Troy Bilt 618-0593,618-0595 (A-B)with Double Pulley 3 pt star shaft included Pulley.OD of Pulley: 5" Fits MTD Older models with 46" deck with double pulley, 800 series	Cub Cadet (MTD) 918-0595A, 618-0595A, 618-0595, 618-0595B, 918-0595B0595B, 918918-0593A0593A	50
	ATSPL0089	Spindle Assembly Without pulley Replace MTD, Cub Cadet, Troy Bilt 618-0593,618-0595 (A-B) 3 pt star shaft. Fits MTD Older models with 46" deck with double pulley, 800 series	Rotary 12972, Oregon 82-518 Stens 285-865	50
	ATSPL0095	spindle assembly without pulley, fits 46" cut, star hole blades from 1994-1997. uses single pulley, left assembly. short housing	MTD 618-0111 MTD :618-0116 918-0116 Raisman: 80-11-731 Sunbelt :B1MT52	50
	ATSPL0096	Spindle Shaft For AYP 192872 Height 7 1/2" Just Shaft with zerk Fits our 100 0022 Spindle Assembly Spindle shaft for 46", 48" and 54" decks	Rotary 9515 stens#:285-730 Sunbelt : B1SB9515	50
	ATSPL0100	wiyhout pulley. Fits 46" cut, star hole blades from 1998-2000, use double pulley short housing	MTD 918-0241,618-0241 Raisman: 80-11-732	50
	ATSPL0105	Spindle Assembly MTD 46" cut 1997-newer Spindle Assembly MTD 46" cut 1998-newer, without pulley short housing	MTD : 918-0240, MTD: 918-0430A, Raisman: 80-11-734 Sunbelt :B1MT54	50

Lawn Mower Spindle

Picture	Antanker No.	DESCRIPTION	REFERENCE NO	MOQ
	ATSPLO115	Replacement Spindle Assembly for Cub Cadet MTD Has Grease Zerk	Cub Cadet 918-04123, 618-04123, 918- 04123b,718-04123b. Raisman: 80-12-029	50
	ATSPLO125	Fits 2001 models and up riding mowers. Includes shaft with grease zerk . Spindle for Murray - 42", 46" and 52" Decks	MTD: 1001046 Murray :1001200 Stens: 285-174 Raisman: 80-11-312 Rotary: 10189 OrOeegogon:: 882-2455	50
	ATSPLO126	Spindle Housing Fits AAA'S # 100 0125 Spindle Assembly	MTD: 1001046 Murray :1001200	50
	ATSPLO131	Spindle Assembly for MURRAY 20551/24384/24385/90905/92574/492574/492574MA Height 2 3/4" --Width 7" Includes • bearings spacer and grease fitting (Must be greased before operating) MURRAY:-- Fits 38608X12E 38"-52" LT rail frame and 46"-52" GT rail frame units	Oregon :82-243,82-023, Prime Line: 7-04229, Raisman: 80-11-311 Rotary :2925 Stens: 285-332 TSB: 502-0000 Sunbelt : B1SB2925	50
	ATSPLO132	Spindle Housing Fits AAA'S # 100 0131 Spindle Assembly	MURRAY 20551	50
	ATSPLO133	Spindle Jackshaft Spacer Length 1 3/4" ID 5/8" OD 7/8" Fits Stens 285-332 Spindle Assembly	MURRAY: 94130MA Stens: 285-097	50
	ATSPLO134	Replacement Spindle Spindle Repair Kit for Bynorm 090-134, Stens: 285-342 Includes blade spindle spacer, top bearing, bottom bearingbearing aandnd locklock nutnut Fits our 100 0131, Stens 285-332 Spindle Assembly	Green Meadow BB983 Laser 97608 NHC 251-6742 MFG: 10-8320 Oregon 45-250 Rotary 8320, 8321 Sunbelt B1MU54	50

Lawn Mower Spindle

Picture	Antanker No.	DESCRIPTION	REFERENCE NO	MOQ
	ATSPLO145	Spindle Assembly for • MTD:918-04129B , 918- 04129A, 618-04129c 918-04129B / 285- 842 WITH PULLEY, OD of Pulley 5 1/32" Height: 6 9/16" Includes • pulley, nut and grease zerk Cub Cadet 618-04129c. Fits 54" deck models LT1024, LT1050, SLT1544. Cub Cadet LT1000, SLT1500, GT1500, ZTR & Z-Force - 44", 46", 48", 50", 54", & 60"	Cub Cadet: 618-04129A, 918-04129A Oregon 82-412 Raisman: 80-12-020 Rotary 11963 Sunbelt : B1CC112 PROVENPART: PP82412	50
	ATSPLO146	Replacement Pulley For 918- 04129B OD of Pulley 5 1/32". Fits our 100 0145 Spindle Assembly	AAA'S P/N 100 0146 TSB: 700-2078	50
	ATSPLO147	Idler pulley replaces MTD part number -04129 956-04129. Used On MTD, Troy Bilt, Cub Cadet. Outside Diameter 4 7/8" Bearing Diameter 3/8" Belt Ride Diameter 4 1/2" Height 1" 4 7/8" Flat Idler Pulley Cub Cadet 956-04129 MTD 75308171 756-04129	AMC: 12675 MTD: 75308171,756-04129, 75604129B, 75604129C, 956-04129 Raisman: 80-91-043 Rotary: 1267512675	50
	ATSPLO148	Spindle Assembly Height 3" bore 3/4" Includes bearing, seals, spacer, and housing. Cub Cadet 1515,, 2130 2146, 2155, 2164 and 2166; 38", 42" and 44" decks MTD Many riders and RZT's with 54" deck after 2010	Cub Cadet: 618-3129C, 918-04394. 618- 04394, 618-04426, 918- 04129B. Oregon: 82-411, 82-406 Raisman: 80-12-013 Rotary : 11961 Stens: 285-107 TSB: 502-0076 B1CC110	50
	ATSPLO149	Cub Cadet Tractor LT Series 42" Deck Spindle & Pulley for MTD 918-04124A, 618- 04124A Includes Pulley Fits models LT series mowers with 42" decks using round hole blade blades.	MTD : 918-04124A,618- 04124A Oregon: 82-402 Rotary 13001 Stens: 285 -846 TSB: 602-0088	50

Lawn Mower Spindle

Picture	Antanker No.	DESCRIPTION	REFERENCE NO	MOQ
	ATSPLO150	Replacement pulley for MTD618-0412 Fits our 100 0149 Spindle Assembly	AAA'S P/N 100 0150 TSB: 700-0088	50
	ATSPLO154	Spindle shaft only Used in our AAA'S # 100 0105 spindle assembly	Spindle shaft AAA'S # 100 0154 TSB: 101-3178	50
	ATSPLO155	Spindle housing Used in our AAA'S # 100 0148 spindle assembly.	Spindle shaft housing AAA'S # 100 0155	50
	ATSPLO161	Spindle Assembly for Cub Cadet (MTD): 918-04126, 618-04126 OD of Pulley 5 3/8" Includes pulley, nut and grease zerk Cub Cadet Fits i1050 LT SLT and RZT with 50" deck using 3 pt. star center hole	Cub Cadet (MTD):918-04126, 618-04126, 918- 04126A, 918-04125B, 618-04126A, 618-04125, 918-04125	50
	ATSPLO162	Spindle Assembly for 6 pt. star center hole MTD/MTD – Fits Fits i1050/i1050 LTLT SLTSLT and RZTRZT with 50" deck using 6 pt. star center hole	Massey Ferguson: 618-04126 618-04126A 918- 04125 918-04125B Oregon: 82-403	50
	ATSPLO163	Spindle Assembly for Cub Cadet (MTD): 918-04126, 618-04126 Spindle Assembly For Cub Cadet - 50" Cut Decks not with pulley Spindle Assembly for 3 pt. star center hole	Raisman: 80-12-011 Stens: 285-867,285-312 Sunbelt : B1CC111 Troy-Bilt: 618-04126 618-04126A 918-04125 918-04125B 918-04126 918-04126A	50
	ATSPLO164	Spindle Assembly for Cub Cadet (MTD): 918-04126, 618-04126 Spindle Assembly For Cub Cadet - 50" Cut Decks Spindle Assembly for 66 pt. star center hole	TSB: 602-0077	50
	ATSPLO165	Intended for use with MTD products Replaces OEM: 918-01388	MTD: 918-01388 Raisman: 80-11-735	50

Lawn Mower Spindle

Picture	Antanker No.	DESCRIPTION	REFERENCE NO	MOQ
	ATSPLO166	Replaces OEM: 918-04126A, 918-04126, 61804126A 618-04126 For use on Cub Cadet LT, SLT, and RZT mowers with 50" cut decks	MTD 756-04126 TSB: 700-2077 pulley fits MTD91804126	50
	ATSPLO167	Spindle Shaft Fits 618-04126 / 618-04126A 85-044-MT 050 Shaft Fits 82-403	Shaft Fits our 82-403 and MTD 618-04126, 61804126A, 918-04126 and 918-04126A	50
	ATSPLO168	Spindle Assembly with pulley replaces CUB CADET 918-0659 / 618-0659 and old # 618-0624 Height 6-1/2" Includes pulley Cubb CCaddett mostt LT1040LT1040, LT1042LT1042 and RRZTZT moddells with 42" deck using special design for 6 pt. star center hole; Troy Bilt most 42" deck using 3 pt. star center hole Uses AAA'S # 100 0165 Spindle Housing	CUB CADET: 6180659A, 918-0624A CP:30-9180659 TORO: 112-0460 TROY BILT: 918-0659A Laser: 97820 NHC: 250-4873 Oregon - 82-408 Raisman: 80-12-015 Rotary -12219/12973 Stens - 285-936 Sunbelt - B1MT67	50
	ATSPLO169	Spindle Assembly without pulley replaces CUB CADET 918-0659A FITS: MTD 38" & 42" CUT DECK	CUB CADET: 9180659A MTD: 618-0624A	50
	ATSPLO170	Spindle PULLEY replaces MTD Cub Cadet 756-1227 Fits 618-0624 spindle, 42" Deck on LT1000 series 2007 Model & After.. OD 6.2" -- Height 1" Uses belt width 1/2" pulley fits MTD 918-04461 MTD 618-04822A Fits AAA'S # 100 0168 Spindle Assembly	CUB CADET: 756-1227, 956-1227 MTD: 756-1227, 9561227 Troy-Bilt: 956-1227 Oregon :78-066 Rotary :12682 Stens:275-096	50
	ATSPLO171	SPINDLE ASSEMBLY FOR MTD REPL MTD 618-0671B with pulley Uses AAA'S # 100 0165 Spindle Housing	MTD 918-0671, 618-0671, 618-0671B, 918-0671B Raisman:80-12-026 Oregon : 82-519	50

Lawn Mower Spindle

Picture	Antanker No.	DESCRIPTION	REFERENCE NO	MOQ
	AT SPL0174	Spindle Assembly Fit Fits moddells 11701170, 1600, 1800 and RZT mowers with 42" decks using star hole blades. Uses Cub Cadet 756-1188 & 618-0324, 918- 04197 618-04197 5-9/16" pulley Uses AAA'S # 100 0165 Spindle Housing	MTD 618-0324 / 618- 0324A / 618-04197 / 618- 04197A 618-0427 / 618- 0427C / 618- 0427D 918- 04197 / 918-0427 / 918- 04197 Rotary 12883 TSB 602-0083 Raisman:80-12-012	50
	AT SPL0180	Also Same As 618-04456A, 918- 04456A, 618- 04461A 918-04461A Has Grease Zerk To Lubricate Spindle for Longer Life 3 Point star on shaft for blades with 6 point stars.	Cub Cadet 618-04456, 918- 04456, 618-04461, 918-04461 JAS7581 Raisman:80-12-014 MTD 918-04461 CUB CADET: 918-04456	50
	AT SPL0182	Replaces OEM: MTD 618-0138, MTD 618-0142, MTD 918-0138, MTD 918- 0138A, MTD 918-0138C MTD 918-0142, MTD 918- 0142A, MTD 918-0142C Fits : MTD 38"and 42" cut decks, 600 series, 1997 and newer ,Fits 38" &42" cut, star hole blades. New style "X" housing. Uses AAA'S # 100 0165 Spindle Housing	MTD: 615-0142A, 618-0138 ,618-0138A,618-0142,618- 0142C Oregon: 82-513-2 Stens: 285-119 Raisman: 80-11-730 Sunbelt: B1MT53	50
	AT SPL0183	Replaces OEM: MTD 618-0138, MTD 618-0142, MTD 918-0138, MTD 918- 0138A, MTD 918-0138C MTD 918-0142, MTD 918- 0142A, MTD 918-0142C	MTD: 738-0933 Rotary 9517 Stens:285-563 Sunbelt: B1SB9517 Raisman: 80-11-745	50
	AT SPL00184	Repleace to Cub Cadet (Mtd) 618-04474A Uses AAA'S # 100 0165 Spindle Housing	Cub Cadet (Mtd) 918- 04474,618-04474, 618- 04474A stens:stens: 889889	50

Lawn Mower Spindle

Picture	Antanker No.	DESCRIPTION	REFERENCE NO	MOQ
	ATSPLO190	Spindle Assembly - CASTELGARDEN..82207200/1..R H Thread Shaft 1,02m (40") + 1,22m (48") 225mm Blade Spindle Assembly for TC120 & TC122, right hand. Higihh shaft only	Castelgarden:82207200/1 Raisman: 80-11-755 Rotary 50256 Oregon: 82-003 GGP 17514	50
	ATSPLO0191	Spindle Shatf -Castelgarden Arbor Drive Complete 82207200/1 82207200/082207200/0 RRHH	Castelgarden:25020800/1 Raisman: 80-11-756	50
	ATSPLO192	pindle Assembly - CASTEL GARDEN..82207201/0..TC92 RH Thread Shaft Rotary 50257,180mm Blade Spindle Assembly Fits TC92, Right hand threads. 92CM decks,40" and 48" decks	Castlegarden 82207201/0 Rotary 50257 Raisman: 80-11-753 RH	50
	ATSPLO193	SpindleSpindle ShaftShaft Castel garden TC 92(RH) Length: 180mm	CastelGarden:25020801/0 CastelGarden:25020801/0 Raisman: 80-11-754 Rotary 50258	50
	ATSPLO194	Spindle Assembly - CASTELGARDEN..82207202/0. TC92 LH Thread Shaft Rotary 12706 188mm Blade Spindle Assemsembly Fits TC92TC92, left hand threads. 92CM decks	Castlegarden 82207202/0 Rotary 12706 Raisman: 80-11-753LH	50
	ATSPLO195	Spindle Shaft- Castel garden TC 92(LH) Length: 188mm	Raisman: 80-11-754LH Castlegarden25020803/0	50
	ATSPLO196	fReplace to Castlegarden 82207203/0 (80-12-753) or Twin-Cut TC92. 92cm (36") models	Castelggarden:82207203/0 Rotary 12966 Raisman: 80-12-753 LH Oregon: 82-007	50
	ATSPLO197	Spindle Shaft Length: 180mm	Raisman: 80-12-754	50

Lawn Mower Spindle

Picture	Antanker No.	DESCRIPTION	REFERENCE NO	MOQ
	AT SPL0198	CASTELGARDEN TC102 RIDEON LAWNMOWER BLADE SHAFT SUPPORT 25207200 Left or right hand blade shaft support Length: 130mm Base diameter: 120mm Fixing holes: 3 Internal diameter: 47mm	Castelgarden:25020800/0 80-11-757 918-0138	50
	AT SPL0233	Spindle replaces Encore 363379. Shaft length 6-1/2".	Encore 363379 TSB: 500-0080	50
	AT SPL0234	spindle housing- Fits AAA'S # 100 0233 Spindle Assembly	TSB: 239-0055	50
	AT SPL0236	Fits ZT223 with 52 deck center Spindle	Bobcat : 2720758 Oregon: 82-018	50
	AT SPL0238	Fits ZT223 with 52 deck RH & LH sides	Bobcat :2720759 Oregon: 82-016	50
	AT SPL0242	spindle assembly replace Excel/ Hustler 783506, fits fast trak,Mini Z&Mini Z models	Hustler:783506 Raisman: 80-11-793 B1HS100	50
	AT SPL0243	spindle assembly replace Encore 583106. shaft length 6-1/2"	Encore: 583106	50
	AT SPL0244	Replaces Great Dane part number D18030. GREAT DANE 12 SPLINE SPINDLE ASSY. LP # 618030,12 splines on threaded end, 6" overall height.	Great Dane: D18030	50

Lawn Mower Spindle

Picture	Antanker No.	DESCRIPTION	REFERENCE NO	MOQ
	ATSPLO245	Spindle Assembly-MZ Models: Fits MZ 42, MZ Magnum 48, MZ Magnum 54". Bad Boy Part # 037- 2000-00 or 037200000.	bad boy 037-2000-00	50
	ATSPLO246	spindle housing- Fits AAA'S # 100 0243 Spindle Assembly	AAA'S # 100 0249	50
	ATSPLO247	Spindle shaft only. Used in our 100 0243 spindle assembly	TSB: 101-3078 WorldLawn 363058/583112.	50
	ATSPLO248	Oil seal replaces Cub Cadet 921- 3018A & 721-3018A.	TSB : 250-1078	50
	ATSPLO250	Spindle Assembly With Pulley for John Deere AM121229, AM121342 Height 4 1/2" Includes • Pulley --OD of Pulley 6" John Deere --For 48" & 54" deck on LX series, GT series 200, 300 Gear and Hydro walk-behind models GS25, GS30, GS7, GS45, HD45, HD75	John Deere: AM121229 AM121342 Oregon: 82-333 Rotary: 11278 Stens: 285-109 79-1052 B1JD40	50
	ATSPLO251	Spindle Housing Fits AAA'S # 100 0250 Spindle Assembly	John Deere: AM121229 AM121342	50
	ATSPLO252	Fits AAA'S # 100 0250 Spindle Assembly	John Deere: AM121229 AM121342	50
	ATSPLO253	Fits AAA'S # 100 0250 Spindle Assembly	John Deere: AM121229 AM121342	50

Lawn Mower Spindle

Picture	Antanker No.	DESCRIPTION	REFERENCE NO	MOQ
	ATSPLO254	Fits AAA'S # 100 0250 Spindle Assembly	John Deere: AM121229 AM121342	50
	ATSPLO256	Lawn Tractor Mandrel Spindle Assembly With Pulley for Cub Cadet 918-04822B, 618-04822A, 618- 04950, 918-04822, 918-04822A, 918-04889A,91804822 MTD: 618-04822A, 918-04822, 918-04822A OD of Pulley: 6" 3 pt. star spindle shaft, Pulley included, No threads in housing Fits most 42-in lawn tractors and RZT mowers (2010 & after), fits 30-in mini riders (2012 & after)	MTD: 918-04822 MTD: 618-04822 CP: 30-8001 Rotary : 14328 Oregon: 82-058 Raisman:80-12-062 Sunbelt: B1MT47 NHC: 251-1948	50
	ATSPLO257	Spindle Shaft Fits AAA'S # 100 0256 Spindle Assembly	Cub Cadet 918	50
	ATSPLO258	Spindle Assembly For Cub Cadet 918-04865, 918- 04865A 918-04636 , 618-04636 Fits 2009-up LTX1045 series 46" decks with 2 blades. New style 6 point star. Pulley diameter 6-1/2"	CP: 30-9184636 MTD 918-04636 Rotary : 13029 NHC: 251-6665 Sunbelt: B1CC113	50
	ATSPLO259	Spindle Housing Fits AAA'S # 100 0256 Spindle Assembly Fits AAA'S # 100 0258 Spindle Assembly	MTD 918-04823 Cub Cadet 918-04890 Cub Cadet 619-04183A 619-04199	50
	ATSPLO260	Spindle Shaft Fits AAA'S # 100 0258 Spindle Assembly	MTD : 918-04636 Cub Cadet: 618-04636 CP:35-0013	50

Lawn Mower Spindle

Picture	Antanker No.	DESCRIPTION	REFERENCE NO	MOQ
	ATSPLO271	Spindle Assembly- Exmark 48", 60" decks on Lazer Z Lazer Z XP models	EXMARK103-1140 Oregon 82-344 Rotary 13130 Raisman:80-11-803	50
	ATSPLO272	Spindle Shaft Fits AAA'S # 100 0256 Spindle Assembly OD: 1 3/4" Length: 7 1/4" Thread: 5/8"-18 Shaft only,Nut not included	Exmark: 103-0584 Exmark:103-2532 stens: 285-208 Raisman:80-11-803	50
	ATSPLO273	Fits Lazer Z model numbers 150000 thru 259999.	EXMARK:10-634972 Rotary code 10-10353 TSB: 500-0132, Rotary : 10-10353	50
	ATSPLO274	without pulley	Oregon 82-318 Stens:285-795 Raisman: 80-11-800	50
	ATSPLO275	Spindle Pulley	TSB: 700-0132	50
	ATSPLO276	Fits Lazer Z HP 60" decks.	EXMARK 103-3200 TSB: 500-0133 Rotary# 10872 Raisman:80-11-813	50
	ATSPLO277	without pulley.	B1EM103	50
	ATSPLO278	OD: 1 3/4" Length: 7 1/2" Thread: 3/4"-16 Outer short shaft	Exmark: 103-2785 Stens: 285-204	50
	ATSPLO279	Spindle Pulley	TSB: 700-0133	50

Lawn Mower Spindle

Picture	Antanker No.	DESCRIPTION	REFERENCE NO	MOQ
	ATSPLO281	Fits Lazer Z HP 52" decks..	Exmark: 103-1183 Exmark:103-1184 Stens:285-639 Raisman:80-11-810	50
	ATSPLO283	Exmark: 103-1105w/ pulley Spindle Assembly Replaces Exmark 103-1105 For 48" Decks Lazer Z Lawnmower Parts	Exmark: 103-1105 Oregon: 82-346 stens:285-639 TSB:500-0136	50
	ATSPLO284	Exmark: 103-1105 w/o pulley		50
	ATSPLO287	Spindle assembly replaces Exmark 103-9081. Fits 48" decks on Laser CT, Laser HP models.	Exmark:103-9081 TSB: 500-0141	50
	ATSPLO290	FITS 44" LAZER Z HP MODELS SERIAL # 260,000 TO 369,999	EXMARK 103-1183 Rotary 13004 Raisman: 80-12-044 TSB:500-0137	50
	ATSPLO291	Spindle Pulley	TSB: 700-0137	50
	ATSPLO292	Exmark: 103-8323 w/ pulley Fits 72" decks on Laser Z, XP series models. Serial number 252,000 and up.	Exmark: 103-8323 Exmark: 103-3206 STENS#285-194	50
	ATSPLO293	Spindle Assembly Exmark: 103-8323 w/o pulley	285-194	50
	ATSPLO294	Spindle Pulley	TSB: 700-0139	50

Lawn Mower Spindle

Picture	Antanker No.	DESCRIPTION	REFERENCE NO	MOQ
	ATSPL0295	Exmark: 1-644092 w/ pulley Spindle assembly replaces Exmark 1-644092. Fits newer model Laser Z, Metro, Viking, Turf Trace, Turf Ranger decks.	Exmark: 1-644092 Exmark: 644092 STENS#285-567	50
	ATSPL0296	Exmark: 1-644092 w/o pulley	Exmark: 644092	50
	ATSPL0297	Spindle housing with bearings replaces Exmark 103- 2547, with zerk fitting Fits models Lazer Z HP 44", 48" & 52" cut decks	Exmark: 103-8280 Exmark: 103-2547 TSB: 240-0134 250-7309	50
	ATSPL0298	only housing	80-11-801	50
	ATSPL0299	RA100RR7 Bearing	Exmark: 103-2477 Ref No: CS203ASSY RA100RR7E8728 Toro: 103-2477 230-233	50
	ATSPL0300	Splined blade Bushing for mowers using blades with 15/16" center hole	Exmark: 103-3037 Oregon:48-235 TSB: 449-0141	50
	ATSPL0301	Mounting kit	240-0131	50

Lawn Mower Spindle

Picture	Antanker No.	DESCRIPTION	REFERENCE NO	MOQ
	ATSPLO500	Assemblies.Spindle . Replaces Scag , 46400, 46020. Cast iron assembly. Fits Turf Tiger, Sabre Tooth Tiger, Wildcat, with Advantage deck, many walk behinds 52" and 61" cut decks, 1995 and mower Height 7" OD 1 1/8" Includes grease fitting, taper roller bearings, fits all Scag mowers usingggg cast iron spindles	Oregon: 82-325 Scag: 461663 46631 Prime Line :7-03135, Rotary: 9153 Raisman: 80-11-726 stens :285-597 Sunbelt: B1SC72 TSB: 500-0163	50
	ATSPLO501	Spindle Housing- used in our 100 0500 spindle assembly	Scag: 461663	50
	ATSPLO502	Spindle Shaft- used in our 100 0500 spindle assembly	AAA'S # 100 0502	50
	ATSPLO503	Lower seal Replaces Scag 481025 Scag 2" OD Oil Seal used in our 100 0500 spindle assembly	L44649	50
	ATSPLO504	New cast iron spindle assembly fits Excel Super Z 52" 60" and 72" decks Hustler RIDING MOWER: SUPER Z (With 52", 60", and 72" decks.)	Excel:350595. Oregon:82-021 Rotary:12459 HUSTLER :796235	50
	ATSPLO505	Fits Super Z with 52", 60" & 72" decks. Cast iron housing.	Hustler:350595. TSB: 500-0153	50
	ATSPLO505	Spindle Shaft- replaces Hustler 788547. Fits Super Z with 52", 60" & 72" decks	Hustler 788547	50

Lawn Mower Spindle

Picture	Antanker No.	DESCRIPTION	REFERENCE NO	MOQ
	ATSPLO506	SPINDLE ASSEMBLY FOR HUSTLER REPL HUSTLER 796235X	CP:30-796235 Hustler: 796235 Sunbelt:B1HS14	50
	ATSPLO507	Spindle Shaft- replaces Hustler 796227. Fits Super Z with 52" 60" & 72" decks.	Hustler 796227	50
	ATSPLO508	Spindle Housing- Fits AAA'S # 100 0506 Spindle Assembly Fits AAA'S # 100 0704 Spindle Assembly	Hustler 034843	50
	ATSPLO517	50 and 60-inch riders. Spindle assembly replaces Dixie Chopper 300441. Spindle housing with bearings, seals, short shaft.	Dixie Chopper :10161 Raisman: 80-11-770 Oregon: 82-322 B1DC100	50
	ATSPLO518	Short Shaft Spindle shaft only. Replaces Dixie Chopper 30217. 8" Length, 1" OD	Raisman: 80-11-771 TSB: 101-3140	50
	ATSPLO519	Spindle assembly replaces Dixie Chopper 300442. Spindle housing with bearings, seals, long shaft.	Dixie Chopper:10161L Raisman: 80-11-773 Oregon: 82-323	50
	ATSPLO520	Long Shaft Spindle shaft only. Replaces Dixie Chopper 30217-L. 9.5" Length, 1" OD	Dixie Chopper 30217-L TSB: 101-3141	50
	ATSPLO521	Spindle housing	Dixie Chopper 300440	50
	ATSPLO522	Mounting bolts. Fits our 500-0040 and 500-0041 spindle assemblies.	Mounting Bolts, p/n 2409466	50

Lawn Mower Spindle

Picture	Antanker No.	DESCRIPTION	REFERENCE NO	MOQ
	ATSPLO700	John Deere Mower Blade Spindle with Pulley - AM126225 OD of Pulley 5 1/2" LT160 with 42-inch deck, LT180 with 42-inch deck Scotts S1642S1742 SabreSabre 1338G, 1438GS, 1438HS 1542GS,1542HS,1642HS,1742GS ,1742HS	John Deere AM126225 John Deere AM126225, John Deere GY0038 Oregon: 82-355 Rotary: 11037 Stens:285-111	50
	ATSPLO701	Fits AAA'S # 100 0700 Spindle Assembly	John Deere Original Equipment Mower Blade Spindle / shaft #AM126225	50
	ATSPLO702	Fits AAA'S # 100 0700 Spindle Assembly	John Deere Original Equipment Mower Blade Spindle / Housing #AM126225	50
	ATSPLO703	Fits AAA'S # 100 0700 Spindle Assembly	John Deere Original Equipment Mower Blade Spindle / Pulley #AM126225	50
	ATSPLO900	IDLER PULLEY, Replaces Exmark 1-633109 HEIGHT: 1-3/16" ID: 21/32" OD: 6-3/4" FITS 52" , 60" & 72" DECK BELTS ON LAZER Z UNITS.	Exmark 1-633109 Oregon 78-011, Raisman:80-91-049 Rotary 9864 stens :280-862	50
	ATSPLO901	Replacement Flat Idler Pulley Fits MTD Cub Cadet 756-04224 756-0981 756-0981A OD: 3-1/4" Overall Width: 1" ID: 3/8"	Husqvarna 532173438 Raisman:80-91-044	50
	ATSPLO902	Idler Pulley Replaces MTD 756-0365, 956-0365 756-0627	MTD: 956-0627 MTD: 756-0627 Raisman:80-91-011	50

BLADE








Blade for ARIENS

Antanker No.	O.E.M. No.	Length	Center Hole DIAM.	Outside Hole DIAM.	Center To Center	Width	Steel Thick	Fits Models
 ATBL-14540	04265400	14-7/8" 355.6mm	5/8" 15.8mm			2-1/4" 50.8mm	.187" 4.7mm	ARIENS:91516,91517 GRAVELX:915148,915170
 ATBL-3326	30278	16-5/8" 422.3mm	3/4" 19.1mm			2-1/2" 57.2mm	.180" 4.8mm	ARIENS:831012,48" 834022,42" 834017,60"
 ATBL-6060	3123759 31237	16-5/8" 422.3mm	3/4" 19.1mm			2-1/2" 57.2mm	.204" 5.2mm	Requires (3) for 48" Cut Ariens; Deck #831031 GT
 ATBL-13177	03746500 03971900	17.35" 440.6mm	5/8" 15.8mm			2-1/4" 50.8mm	.187" 4.7mm	ARIENS: 03746500, 03971900 GRAVELY: 03746500, 03971900
 ATBL-6254	3624759 36247	20-5/16" 515.9mm	3/4" 19.1mm			2-1/2" 63.5mm	.204" 5.2mm	ARIENS: 03624700, 03624759, 36247, 3624759 WINDSOR: 50-3815
 ATBL-3322	11370	20-1/2" 546.1mm	13/32" 10.3mm			2-3/4" 69.9mm	0.160" 4.1mm	ARIENS: 01137000, 01137059, 11370 WINDSOR: 50-2780
 ATBL-6445	0749300	26-7/8" 682.6mm	7/16" 12.7mm	3/8" 9.5mm	4" 44.5mm	2-3/4" 69.9mm	.187" 4.8mm	ARIENS: 0055430, 02749300, 2749351





Blade for AYP-SEARS/ROPER/HUSKY/POULAN (HUSQVARNA)

Antanker No.	O.E.M. No.	Length	Center Hole DIAM.	Outside Hole DIAM.	Center To Center	Width	Steel Thick	Fits Models
 ATBL-1019	25118	14-5/8" 371.5mm	5/8" 15.9mm	5/16" 7.9mm		2-1/2" 63.5mm	.150" 3.8mm	AYP/ROPER/SEARS: 3 for 42"
 ATBL-1020	9484H 25321	14-5/8" 371.5mm	1-1/4" 31.8mm	15/32" 11.9mm	3" 76.2mm	2-1/2" 63.5mm	.150" 3.8mm	AYP/ROPER/SEARS: Sears model 917.253250, 917.25325, 917.253250
 ATBL-2162	25034 25034R	15-3/8" 390.5mm	3/8" 9.5mm			2-1/4" 57.2mm	.187" 4.8mm	AYP/ROPER/SEARS: 25034, 532025034
 ATBL-6205	130652	15-3/8" 390.5mm	5 Point satr			2-1/4" 57.2mm	.160" 4.1mm	AYP/ROPER/SEARS: 130652, 532130652
 ATBL-6013	30227-50	17" 431.8mm	5/8" 15.8mm			2" 50.8mm	.240" 6.1mm	GRAVELLY: 038947, 206562, 20656200, 38947 TORO: 113579
 ATBL-6437	163819 152443	15-1/2" 393.7mm	5 Point satr			2-1/4" 57.2mm	.160" 4mm	AYP/ROPER/SEARS: 152443, 163819, 532145708, 532152443 HUSQVARNA: 532 15 24-43, 532 16 38-19
 ATBL-6495	159705 170698 176084	15-1/2" 393.7mm	5 Point satr			2-1/4" 57.2mm	.160" 4.8mm	AYP/ROPER/SEARS: 159705, 170698, 176084, 532176084 HUSQVARNA: 532.17.60-84, 532159705

Blade for AYP-SEARS/ROPER/HUSKY/POULAN (HUSQVARNA)

Antanker No.	O.E.M. No.	Length	Center Hole DIAM.	Outside Hole DIAM.	Center To Center	Width	Steel Thick	Fits Models
 ATBL-9170	157033	15-9/16" 395mm	5 Point satr			2-1/4" 57.2mm	.187" 4.8mm	AYP/ROPER/SEARS: 1572443, 163819, 532145708, 532152443 HUSQVARNA: 532 15 24-43, 532 16 38-19
 ATBL-2690	25322 9485H 25322R	16-5/8" 422.3mm	1-1/4" 31.8mm	15/32" 11.9mm	3" 76.2mm	2-1/2" 63.5mm	.187" 4.8mm	AYP/ROPER/SEARS: Roper #TT738-AR, 3 for 46", Roper #TT738-AR, 3 for 46", TT738-AR
 ATBL-10377	173921	16-5/8" 422.3mm	5 Point satr			2-1/2" 63.5mm	.204" 5.2mm	AYP/ROPER/SEARS: 173921, 532173921 HUSQVARNA: 532 17 39-21
 ATBL-9907	173920 180054	16-3/4" 425.5mm	5 Point satr			2-1/2" 63.5mm	.204" 5.2mm	AYP/ROPER/SEARS: 173920, 180054, 532180054 HUSQVARNA: 532 17 39-20, 532 18 00-54
 ATBL-6196	137380	17-3/8" 441.3mm	5 Point satr			2-1/4" 57.2mm	.160" 4.1mm	AYP/ROPER/SEARS: 137380, 532137380
 ATBL-6195	121798X	17-3/8" 441.3mm	3/8" 9.5mm			2-1/4" 57.2mm	.187" 4.8mm	AYP/ROPER/SEARS: 121798X, 532121798 WINDSOR: 50-2307
 ATBL-13986	30227-56	20" 508mm	5/8" 15.9mm			2-1/4" 57.2mm	.240" 6.1mm	DIXIE CHOPPER: XC3356, XC3356, XC3356, XC3356 S/N 9091125 & Up, XC3356 4x4, XC3366, XC3366, XC3366, XC3366 S/N 9091125 & Up, XC3374, XC3374, XC3374, XC3374, XC3374 S/N 9091125 & Up, XC4074, XC4074, XC4074, XC4074 S/N 9091125 & Up

Blade for AYP-SEARS/ROPER/HUSKY/POULAN (HUSQVARNA)

Antanker No.	O.E.M. No.	Length	Center Hole DIAM.	Outside Hole DIAM.	Center To Center	Width	Steel Thick	Fits Models
 ATBL-10841	140101	18-3/8" 466.7mm	5 Point satr			2-1/4" 57.2mm	.150" 3.8mm	AYP/ROPER/SEARS: 140101, 532140101
 ATBL-6123	138496 127841	18" 457.2mm	5 Point satr			2-1/4" 57.2mm	.150" 3.8mm	AYP/ROPER/SEARS: 138496
 ATBL-6083	30227-60-V	20-1/2" 520.7mm	5/8" 15.9mm			2-1/2" 63.5mm	.240" 6.1mm	BAD BOY: 038-2007-00, 038-6050-00, 038-6060-00 DIXIE CHOPPER: 30227-60, 30227-60V EXAMARK: 633483 TORO: 105-7718-03 WINDSOR: 50-2814, 50-2840
 ATBL-3358	25645 98111 71285	18-3/16" 462mm	3/8" 9.5mm			2-1/2" 63.5mm	.134" 3.4mm	AYP/ROPER/SEARS: Deck #LO239AR; 2 for 36" cut, Sears #LO-239AR
 ATBL-6120	126338X 120262X	18-1/4" 462mm	3/8" 9.5mm			2-1/4" 57.2mm	.187" 4.8mm	AYP/ROPER/SEARS: 120262X, 126338X, 143969, 532143969
 ATBL-13239	187254	18-3/8" 466.7mm	5 Point satr			3" 76.2mm	.187" 4.8mm	AYP/ROPER/SEARS: 187254 HUSQVARNA: 532 18 72-54, 532 18 72-55, 532 18 72-56
 ATBL-11180	187254	18-3/8" 466.7mm	5 Point satr			3" 76.2mm	.187" 4.8mm	AYP/ROPER/SEARS: 187254, 187256, 532187256 HUSQVARNA: 532 18 72-54, 532 18 72-56

Blade for AYP-SEARS/ROPER/HUSKY/POULAN (HUSQVARNA)

Antanker No.	O.E.M. No.	Length	Center Hole DIAM.	Outside Hole DIAM.	Center To Center	Width	Steel Thick	Fits Models
 ATBL-14459	187254 532-187256	18-1/2" 470mm	5 Point satr			2-1/2" 63.5mm	.204" 5.2mm	AYP/ROPER/SEARS: 187256, 532187256 HUSQVARNA: 187256, 532187256
 ATBL-6441	30227-60H	20-1/2" 520.7mm	5/8" 15.9mm			3" 76.2mm	.240" 6.1mm	DIXIE CHOPPER: 30227-60H HUSTLER: 602771
 ATBL-6105	121263X	19-1/4" 489mm	3/8" 9.5mm			2-1/4" 57.2mm	.187" 4.8mm	AYP/ROPER/SEARS: 121263X, 143978, 532143978
 ATBL-12240	193957	19-1/4" 489mm	5 Point satr			2-1/2" 57.2mm	.150" 3.8mm	AYP/ROPER/SEARS: 193957, 532193957, 581116302 HUSQVARNA: 532 19 39-57 POULAN: PP24001, 531307220
 ATBL-6124	138497 127842	19-5/16" 490.54mm	5 Point satr			2-1/4" 57.2mm	.150" 3.8mm	AYP/ROPER/SEARS: 127842, 138497, 532138497 HUSQVARNA: 532 13 84-97, 532127842
 ATBL-3392	106634 25036 25036R	19-11/32" 491.3mm	3/8" 9.5mm			2-1/4" 57.2mm	.150" 3.8mm	AYP/ROPER/SEARS: 25036, 532025036
 ATBL-6190	134148	19-5/16" 490.54mm	5 Point satr			2-1/4" 50.8mm	.134" 3.4mm	AYP/ROPER/SEARS: 134148, 139774, 532134148 HUSQVARNA: 532 13 41-48

Blade for AYP-SEARS/ROPER/HUSKY/POULAN (HUSQVARNA)

Antanker No.	O.E.M. No.	Length	Center Hole DIAM.	Outside Hole DIAM.	Center To Center	Width	Steel Thick	Fits Models
 ATBL-1043	56400 8020 56400R	20" 508mm	5/8" 15.9mm			2-1/2" 63.5mm	.134" 3.4mm	AYP/ROPER/SEARS: 145106, 532145106, 56400
 ATBL-6037	850972	20" 508mm	5/8" 15.9mm	3/8" 9.5mm	1-7/8" 47.6mm	2-1/2" 63.5mm	.134" 3.4mm	AYP/ROPER/SEARS: 145106, 532145106, 701211, 850972
 ATBL-6235	752233 145106	20" 508mm	5/8" 15.9mm	3/8" 9.5mm	1-7/8" 47.6mm	2-1/4" 57.2mm	.134" 3.4mm	AYP/ROPER/SEARS: 145106, 532145106
 ATBL-6125	138971 138498 127843	21" 533.4mm	5 Point satr			2-1/4" 57.2mm	.134" 3.4mm	AYP/ROPER/SEARS: 138498, 138971, 138971X431, 532138971 HUSQVARNA: 532 13 84-98, 532 13 89-71
 ATBL-6189	134149	21" 533.4mm	5 Point satr			2-1/4" 57.2mm	.134" 3.4mm	AYP/ROPER/SEARS: 134149, 532134149 HUSQVARNA: 532 13 41-49
 ATBL-9810	406702 176135 159267 175064 189028	21" 533.4mm	5/8" 15.8mm	3/8" 9.5mm	1-7/8"	2-1/4" 57.2mm	.134" 3.4mm	AYP/ROPER/SEARS: 159267, 165833, 175064, 175065, 189028, 191890X428, 194406X428, 406712, 406712X431, 532159267, 532189028, 532406712, 532437165 HUSQVARNA: 532 40 67-12
 ATBL-12563	139775	21-1/16" 534mm	5 Point satr			2-1/4" 57.2mm	.150" 3.8mm	AYP/ROPER/SEARS: 139775, 532139775 HUSQVARNA: 532 13 97-75, 532-139775

Blade for AYP-SEARS/ROPER/HUSKY/POULAN (HUSQVARNA)

Antanker No.	O.E.M. No.	Length	Center Hole DIAM.	Outside Hole DIAM.	Center To Center	Width	Steel Thick	Fits Models
 ATBL-6038	850973	21-5/8" 549.3mm	5/8" 15.9mm	3/8" 9.5mm	1-7/8" 47.6mm	2-1/2" 63.5mm	.150" 3.8mm	AYP/ROPER/SEARS: 406713X431, 850973
 ATBL-6106	103524X	21-3/4" 553.4mm	3/8" 9.5mm			2-1/2" 63.5mm	.150" 3.8mm	AYP/ROPER/SEARS: 22" walk behinds, 22" walk behinds HUSQVARNA: 22" walk behinds POULAN: 22" walk behinds
 ATBL-1044	56401 8021	21-3/4" 553.4mm	5/8" 15.9mm			2-1/2" 63.5mm	.150" 3.8mm	AYP/ROPER/SEARS: 406713X431, 56401
 ATBL-6236	406713 192682 157101 335256 114886 141114	22" 558.8mm	5/8" 15.9mm	3/8" 9.5mm	1-7/8" 47.6mm	2-1/4" 57.2mm	.134" 3.4mm	AYP/ROPER/SEARS: 141114, 157101, 406713, 406713X431, 53214114, 532406713
 ATBL-13023	420463 421825	22" 558.8mm	5 Point satr			2-1/2" 63.5mm	.134" 3.4mm	AYP/ROPER/SEARS: 420463, 421825, 437601, 532420463, 532421825, 532437601 HUSQVARNA: 532437601
 ATBL-12242	405380	23" 584.2mm	5 Point satr			2-3/4" 69.9mm	.150" 3.8mm	AYP/ROPER/SEARS: 405380, 532405380 HUSQVARNA: 532 40 53-80
 ATBL-12974	403107	23" 584.2mm	5 Point satr			2-1/4" 57.2mm	.187" 4.8mm	AYP/ROPER/SEARS: 403107, 532403107 HUSQVARNA: 532 40 31-07

Blade for HONDA

Antanker No.	O.E.M. No.	Length	Center Hole DIAM.	Outside Hole DIAM.	Center To Center	Width	Steel Thick	Fits Models
 ATBL-6131	72513-578-N00	14-9/16" 369.9mm	.630" 16mm			2-3/4" 69.9mm	.187" 4.8mm	HONDA: 3 for 42", 4213, 4213
 ATBL-50102	72511-VA9-010	16-1/2" 419.10mm	1.09" 27.78mm	.24" x .33"	1.96" 28.18mm	2.25" 57.15mm	.150" 3.97mm	HONDA: HRI17EPA, HRI173
 ATBL-50098	72511-VA5-J00	18-3/16" 461.96mm	.831" 21.43mm	.416" 10.71mm	3.45" 87.71mm	2.25" 57.15mm	.150" 3.97mm	HONDA: HRI194 PYA, HRI194 SKA, HRI195 PDA, HRI195 SKA
 ATBL-50101	72511-VA5-840	18/7/16" 468.31mm	.836" 21.43mm	.564" 14.68mm	3.469" 88.20mm	3.375" 85.73mm	.150" 3.97mm	
 ATBL-50113	425-1196004	18-5/8" 473.06mm	.831" 21.43mm	.416" 10.71mm	3.45" 87.71mm	2.25" 57.15mm	.150" 3.97mm	
 ATBL-6787	72511-VA5-J00 #3451820	18-7/16" 468.3mm	.831" 21.43mm	.416" 10.71mm	3-7/16" 87.7mm	2-1/4" 57.2mm	.150" 3.8mm	
 ATBL-3437	72513-750-305 #2685113	19-7/16" 493.7mm	.825" 21mm	.413" 10.5mm	3-15/32" 88.1mm	2-1/4" 57.2mm	.150" 3.8mm	HONDA: HT3810K1, HT3813, 3810-K1, 3813-SA

Blade for HONDA

Antanker No.	O.E.M. No.	Length	Center Hole DIAM.	Outside Hole DIAM.	Center To Center	Width	Steel Thick	Fits Models
 ATBL-3438	72512-750-305 #2685105	19-7/16" 493.7mm	.825" 21mm	.413" 10.5mm	3-15/32" 88.1mm	2-3/4" 69.9mm	.160" 4.1mm	HONDA: 3810-K1, 3810K1, 3813-SA, 3813SA
 ATBL-6150	72531-758-100	19-1/2" 495.3mm	.630" 16mm			2-3/4" 69.9mm	.187" 4.8mm	HONDA: CD2038, H2013K, H2113, 3013, 38" out, 4013, 4514, 4518
 ATBL-6151	72511-758-100 72511-81-L00	19-1/2" 495.3mm	.630" 16mm			2-3/4" 69.9mm	.187" 4.8mm	HONDA: CD2038, H2013K, H2113, 3013, 38" out, 4013, 4514, 4518
 ATBL-6428	72511-VG3-00 72511-VE1-020 4513511	20-5/16" 532mm	.804" 20mm	13/32" 10.3mm	3-15/32" 88.1mm	2-1/4" 57.2mm	.134" 3.4mm	HONDA: Harmony, Harmony II, HR215, HRB215, HRM215, HRM215, HRS216, HRT216
 ATBL-50106	72511-VB3-B51	20-5/16" 532mm	.831" 21.43mm	.416" 10.71mm	3.45" 87.71mm	2.25" 57.2mm	.150" 3.97mm	HONDA: HR2150, HR2160, HRS36
 ATBL-50160	72511-VB3-E41	20.674" 525.04mm	.844" 21.43mm	.563" 14.28mm	3.469" 88.10mm	2.25" 57.15mm	.160" 4.00mm	
 ATBL-10180		20-7/8" 530.2mm	27/32" 21.4mm	0.415" 10.5mm	3-7/16" 87.3mm	2-1/4" 57.2mm	.150" 3.8mm	











Blade for HONDA

Antanker No.	O.E.M. No.	Length	Center Hole DIAM.	Outside Hole DIAM.	Center To Center	Width	Steel Thick	Fits Models
 ATBL-6458	08750-960-333	20-7/8" 530.2mm	.845" 21.5mm	.415" 10.5mm	3-7/16" 87.3mm	2-1/4" 57.2mm	.160" 4.1mm	HONDA: HR215, HR215, HR216, HR216
 ATBL-6431	72511-VG4-K00 72511-VE2-000 4010609	20-7/8" 530.2mm	.830" 27.3mm	13/32" 10.3mm	3-15/32" 88.1mm	2-1/4" 57.2mm	.095" 2.4mm	HONDA: Harmony, Harmony II, HR215, HR215, HRM215, HRM215, HRS216, HRS216, HRT216, HRT216
 ATBL-6092	72511-VA4-641	20-7/8" 530.2mm	.845" 21.5mm	.415" 10.5mm	3-7/16" 87.3mm	2-1/4" 57.2mm	.150" 3.8mm	HONDA: all Honda 21" cut mowers 1981-91, 1981 thru 1991
 ATBL-2160	72511-VA2-690 72511-960-004 2801595	20-7/8" 530.2mm	.845" 21.5mm	.415" 10.5mm	3-7/16" 87.3mm	2-1/4" 57.2mm	.150" 3.8mm	HONDA: AX1, HRA214, HRA216, HR214, HR215, HR215, HR216, HR216, S21, 21K5, 21S, 214, 215, 216
 ATBL-50153	72511-VE1-652	20-29/32" 531mm	.780" 19.8mm	.535" 13.6mm	3.60" 91.67mm	4.125" 12.7mm	0.95" 2.4mm	HONDA: HRG536C2, HRG536C3, HRG536C4, HRG536C5, HRG536C6, HRG536SD
 ATBL-2165	72513-751-020	29-3/4" 755.7mm	1.02" 25.9mm	.480" 12.2mm	4-5/16" 109.5mm	2-3/4" 69.9mm	.160" 4.1mm	HONDA: HTR3009 SA
 ATBL-40-139	237001 40-139	8" 203.2mm	1" 25.4mm			2" 50.8mm	.120" 3.0mm	Echo 237001, 720237-001, 6960155, 2631, 696015-53630 Oregon: 40-139











GUIDE

BAR

Guide Bar

Antanker No.	Pitch	Gauge	Drive Links	Bar Length	Fits Models
 ATGB-10571	3/8"	0.0500"	55"	16"	ARCHER: 16DO-CL-SW CARLTON: 16-26-N155-HC
 ATGB-10572	0.3250"	0.0630"	67	16"	CARLTON: 16-42-K367-TC
 ATGB-10595	3/8"	0.0500"	57	16"	CARLTON: 16-10-N157-HC GB: PO16-50SW SANDVIK/WINDSOR: 16PKU50SSR
 ATGB-10596	3/8"	0.0500"	52	14"	ARCHER: 14DO-CL-PO CARLTON: 14-10-N152-HC GB: PO14-50SW SANDVIK/WINDSOR: 14PKU50SSR
 ATGB-10611	3/8"	0.0580"	68"	18"	CARLTON: 18-81-A268-TC11 SANDVIK/WINDSOR: 18HS58SPNA
 ATGB-10613	3/8"	0.0500"	62	18"	ARCHER: 18DO-CL-PO CARLTON: 18-10-N162-HC GB: PO18-50SW SANDVIK/WINDSOR: 18PKU50SSR
 ATGB-13080	0.3250"	0.0500"	66	16"	16-09-K166-TC
 ATGB-13302	3/8"	0.0500"	45	12"	ARCHER: 12DO-CL-PO, 20XO-HS-HV, 20XO-HS-HV GB: PO12-50SW
 ATGB-13303	3/8"	0.0500"	52	14"	ARCHER: 14DO-CL-PO
 ATGB-13304	3/8"	0.0500"	62	18"	ARCHER: 18DO-CL-PO

Guide Bar

Antanker No.	Pitch	Gauge	Drive Links	Bar Length	Fits Models
 ATGB-13305	3/8"	0.0500"	44	12"	ARCHER: 12DO-CL-M
 ATGB-13306	3/8"	0.0500"	49	14"	ARCHER: 14DO-CL-M
 ATGB-13309	3/8"	0.0500"	44	12"	ARCHER: 12DO-CL-SW, 12XO-HS-HV, 20XO-HS-HV
 ATGB-13310	3/8"	0.0500"	55	16"	ARCHER: 16DO-CL-SW
 ATGB-13311	3/8"	0.0500"	72	20"	ARCHER: 20XO-HS-HV
 ATGB-13312	3/8"	0.0500"	72	20"	ARCHER: 20XO-HS-SN
 ATGB-13313	3/8"	0.0500"	70	20"	ARCHER: 20XO-HS-EC
 ATGB-13314	3/8"	0.0500"	70	20"	ARCHER: 20XO-HS-UHL
 ATGB-13315	3/8"	0.0500"	59	16"	ARCHER: 16XO-HS-UHL
 ATGB-13317	3/8"	0.0500"	72	20"	ARCHER: 20AO-RN-HV

Guide Bar

Antanker No.	Pitch	Gauge	Drive Links	Bar Length	Fits Models
 ATGB-13320	3/8"	0.0580"	72	20"	ARCHER: 20A8-RN-HV
 ATGB-13321	3/8"	0.0500"	70	20"	ARCHER: 20AO-RN-UHL
 ATGB-13322	3/8"	0.0500"	68	18"	ARCHER: 18AO-RN-HV
 ATGB-13323	3/8"	0.0500"	60	16"	ARCHER: 16AO-RN-SN
 ATGB-13324	3/8"	0.0500"	84	24"	ARCHER: 24AO-RN-HV
 ATGB-13326	3/8"	0.0630"	72	20"	ARCHER: 20A3-RN-SN
 ATGB-13327	3/8"	0.0580"	68	18"	ARCHER: 18A8-RN-UHL
 ATGB-13328	3/8"	0.0500"	60	16"	16AO-RN-HV

LAWN MOWER

Parts






Lawn Mower Parts

Picture	Antanker No.	Description	Model	MOQ
	ATL01-196P-00	THROTTLE CABLE	HRU195 HRJ196	50
	ATL01-216S-00	THROTTLE CABLE	HRU215 HRJ216	50
	ATL01-196P-01	BRAKE CABLE	HRU195 HRJ196	50
	ATL01-216S-01	BRAKE CABLE	HRU215 HRJ216	50
	ATL01-216S-02	CLUTCH CABLE	HRU215 HRJ216	50
	ATL01-216S-03	CHANGE CABLE	HRU215 HRJ216	50
	ATL02-196P-00	CATCHER BOX	18"&19" PUSH TYPE	30
	ATL02-196P-01	GRASS BAG	HRU195 HRJ196	30
	ATL02-216S-01	GRASS BAG	HRU215 HRJ216	30
	ATL03-196P-00	LONG BLADE	HRU195 HRJ196	30

Lawn Mower Parts

Picture	Antanker No.	Description	Model	MOQ
	ATL03-216S-00	LONG BLADE	HRU215 HRJ216	30
	ATL03-196P-01	SHORT BLADE	HRU195 HRJ196	30
	ATL03-216S-01	SHORT BLADE	HRU215 HRJ216	30
	ATL03-216S-02	BLADE WITH DISC (2 BLADE)	HRU215 HRJ216	30
	ATL03-216S-03	BLADE WITH DISC (4 BLADE)	HRU215 HRJ216	30
	ATL04-196P-00	WHEEL STANDARD (RUBBER) 7-3/4"	HRU195 HRJ196	50
	ATL04-196P-01	WHEEL STANDARD (PLASTIC) 7-3/4"	HRU195 HRJ196	50
	ATL04-216S-00	WHEEL STANDARD (RUBBER) 7-3/4"	HRU215 HRJ216	50
	ATL04-216P-01	WHEEL STANDARD (PLASTIC) 8-1/2"	HRU215 HRJ216	50
	ATL05-216S-00	WHEEL REAR S/PRO, NO RACHET (RUBBER) 8-1/2"	HRU215 HRJ216	50

Lawn Mower Parts

Picture	Antanker No.	Description	Model	MOQ
	ATL06-216S-00	GEAR BOX	HRU215 HRJ216	3
	ATL07-216S-00	RACHET(LEFT)	HRU215 HRJ216	50
	ATL07-216S-01	RACHET(RIGHT)	HRU215 HRJ216	50
	ATL08-216S-00	REAR WHEEL INSERT	HRU215 HRJ216	50
	ATL09-216S-00	DRIVE SHAFT & JOINT ASSEMBLY	HRU215 HRJ216	10

Lawn Mower Parts - Universal Starter Solenoid

ATL-SLD01



ATL-SLD02



Universal starter solenoid 3 pole, 12 volt.
Terminal post will accommodate both
5/16" & 1/4" terminal connectors,
Mounting bracket will accommodate
both chassis and wall mount configurations.
Replaces Ariens 3057700.

Universal starter solenoid 4 pole, 12 volt.
Terminal post will accommodate both
5/16" & 1/4" terminal connectors,
Mounting bracket will accommodate
both chassis and wall mount configurations.
Replaces Ariens 35510.

Wheel

&

Tire

SCOOTER TYRE SERIES



SC-101



SC-102



SC-103



SC-104



SC-105



SC-106



SC-107



SC-108



SC-109



SC-110

ANTANKER#	SIZE	TYPE	P.R	MAX INFL (P.S.I./KPA)	LOAD (LBS/KGS)	OD (IN/MM)	SW(IN/MM)	RIM TYPE	REMARK
ATTR-SC101-00	6x1 1/4	TT	4	36/172	110/50	5.5/140	1.1/28		
ATTR-SC102-00	6x1 1/4	TT	4	90/427	220/110	6/151	1.1/29.5		
ATTR-SC102-01	6x1 1/4	TT	4	36/172	220/110	7.9/201	1.1/29		
ATTR-SC102-02	200x50	TT	4	85/414	230/105	7.5/191	1.9/48.5		
ATTR-SC102-03	8x1 1/4	TT	4	36/172	220/110	7.9/200.5	1.1/29		
ATTR-SC103-00	200x50	TT	4	85/414	230/150	7.5/191	1.9/48.5		
ATTR-SC104-00	200x50	TT	4	85/414	230/150	7.5/191	1.9/48.5		
ATTR-SC105-00	81/2x2	TT	4	85/414	220/100	8.5/215	1.9/48.5		
ATTR-SC105-01	100/60-8	TL	4	32	/	330	85		8X3.0
ATTR-SC106-00	9x3.50-4	TT	4	85/414	264/120	9.1/230	3.3/84		
ATTR-SC107-00	3.00-4	TT	4	36/172	264/120	10/254	3.4/86		E/4
ATTR-SC107-01	3.00-4	TT	4	45/214	264/120	10.1/256	3.4/86		
ATTR-SC108-00	4.00-5	TT	4	26/124	374/170	12.9/328	3.7/94		E/4
ATTR-SC108-01	11x4.00-5	TT	4	28/131	264/120	11/278	3.9/99		
ATTR-SC108-02	11x4.00-5	TT	4	28/131	374/170	11.1/282	4.8/122		
ATTR-SC109-00	2.80/2.50-4	TT	4	85/414	264/120	9.2/231	2.6/66		
ATTR-SC110-00	4.10/3.50-4	TT	6	45/214	1420/645	14.6/371	3.7/95		
ATTR-SC110-01	4.00-8	TT	4	26/124	264/120	10.6/269	3.3/84		

SCOOTER TYRE SERIES



SC-111



SC-112



SC-113



SC-114



SC-117



SC-119



SC-120



SC-120

ANTANKER#	SIZE	TYPE	P.R	MAX INFL (P.S.I./KPA)	LOAD (LBS/KGS)	OD (IN/MM)	SW(IN/MM)	RIM TYPE	REMARK
ATTR-SC111-00	10x2	TT	4	50/241	264/120	10/254	1.9/49		
ATTR-SC111-01	10x2	TT	2	50		264	120	6x1.5	
ATTR-SC112-00	90/66-6.5	TT	4	40/193	264/120	11/280	3.6/91		
ATTR-SC112-01	90/66-6.5	TL	4	40/193	264/120	11/280	3.6/91		
ATTR-SC112-02	110/50-6.5	TT	4	40/193	264/120	10.8/275	4.2/107		
ATTR-SC112-03	110/50-6.5	TL	4	40/193	264/120	10.8/275	4.2/107		
ATTR-SC113-00	3.00-4	TT	4	40/193	375/170	10.3/261	3.4/86		
ATTR-SC113-01	12x4.00-5	TT	4	40/193	375/170	12/304	3.5/88		
ATTR-SC114-00	90/90-6 4.10/3.50-6	TT	4	40/193	330/150	12.8/325	3.5/88	E4	
ATTR-SC114-01	4.10/3.50-6	TL	4	40/193	330/150	12.8/325	3.5/88		
ATTR-SC117-00	90/66-6.5	TT	4	40/193	264/120	11/280	3.6/91		
ATTR-SC117-01	90/66-6.5	TT	4	40/193	264/120	11/280	3.6/91		
ATTR-SC117-02	110/50-6.5	TT	4	40/193	264/120	10.8/275	4.2/107		
ATTR-SC117-03	110/50-6.5	TL	4	40/193	264/120	10.8/275	4.2/107		
ATTR-SC119-00	90/65-6.5	TT	4	40/193	264/120	11/280	3.6/91		
ATTR-SC119-01	90/65-6.5	TL	4	40/193	264/120	11/280	3.6/91		
ATTR-SC119-02	110/50-6.5	TT	4	40/193	264/120	10.8/275	4.2/107		
ATTR-SC119-03	110/50-6.5	TL	4	40/193	264/120	10.8/275	4.2/107		
ATTR-SC120-00	2.50-4 60/100-4	TT	4	36/172	264/120	9/225	2.3/58.5	E4	
ATTR-SC121-00	200x50	TT	4	36/172	220/100	7.4/189	1.9/48.5		

SCOOTER TYRE SERIES



PATTERN	SIZE	TYPE	P.R	MAX INFL (P.S.I./KPA)	LOAD (LBS/KGS)	OD (IN/MM)	SW(IN/MM)	RIM TYPE	REMARK
ATTR-SC122-00	200x75	TT	4	36/172	264/120	7.7/195	2.8/71		
ATTR-SC123-00	7x1 3/4	TT	4	36/172	176/80	6.9/175	1.6/40		
ATTR-SC125-00	4.00-4	TT	4	60/290	352/160	11.7/296	3.9/99		
ATTR-SC125-01	90/65-6.5	TL	4	60/290	352/160	11.7/296	3.9/99		
ATTR-SC127-00	10x4.00-6	TT	4	24/117	264/120	10.2/260	3.8/96		
ATTR-SC128-00	2.80/2.50-4	TT	4	36/172	264/120	9.2/231	2.6/66		
ATTR-SC133-00	3.00-8	TT	4	58/283	350/160	13.4/341	3.2/81		
ATTR-SC134-00	8x2	TT	2	28/138	110/50	7.5/190	2.1/53		
ATTR-SC134-01	9x2.50	TT	2	28/138	158/70	8.5/215	2.5/60		
ATTR-SC137-00	2.50-4	TT	4	25/121		8.9/225	2.6/67		
ATTR-SC137-01	3.00-4	TL	4	25/121		10.1/258	3.1/78		
ATTR-SC138-00	9x3.50-5	TL	4	20/97	264/120	9.1/232	3.5/88.5		
ATTR-SC139-00	13x4.00-8	TT	4	22	227/103	325	100	8x3.0	

SCOOTER/GO-KART TYRE SERIES



SC-211



SC-218



GK-101



GK-101



GK-107



GK-301



GK-302



GK-303

PATTERN	SIZE	TYPE	P.R	MAX INFL (P.S.I./KPA)	LOAD (LBS/KGS)	OD (IN/MM)	SW(IN/MM)	RIM TYPE	REMARK
ATTR-SC211-00	5x1	TT	4	100/483	176/80	5/128	1.1/28		
ATTR-SC211-01	6x1 1/4	TT	4	100/483	220/100	6/52.5	1.3/33		
ATTR-SC218-00	11x2					11/280	2/50.8		
ATTR-SC218-01	10x2	TT	2	50		255	51	6x1.50	
ATTR-GK107-00	10x4.50-6	TT	4	40/193	352/160	10.2/259	4.4/112	6x3.50	
ATTR-GK107-01	10x4.50-6	TT	4	40/193	396/180	10.2/259	5.4/138	6x4.50	
ATTR-GK101-00	9.0/20-13	TL	6	22/103		20/508	10.8/275		
ATTR-GK101-01	9.0/20-13	TL	4	21.8/103	120/55	10.3/262	4.1/105	5x4.00	
ATTR-GK101-02	10x3.50-5	TL	4	28/138	264/120	9.5/240	3.5/91	5x7.00	
ATTR-GK101-03	10x4.50-5	TL	4	21.8/103	220/100	10.1/256	5.1/130	5x4.50	
ATTR-GK101-04	10x4.50-5	TL	4	21.8/103	220/100	10.1/256	5.1/130	5.1/130	
ATTR-GK101-05	11x6.00-5	TL	4	29/137	185/84	12.7/265	7.3/186	5x6.00	
ATTR-GK101-06	11x7.10-5	TL	4	57/276	220/100	11.2/285	8.2/210	5x7.00	
ATTR-GK101-07	12x4.00-5	TL	4					5x4.00	
ATTR-GK101-08	11 x3.6-5	TL	4					5x3.60	
ATTR-GK301-00	6x2	TT	4	20		152	48	3x1.25	
ATTR-GK302-00	6x2	TT	4	20		152	48	3x1.25	
ATTR-GK303-00	4.00-6	TL	2	22	175/80	355	110	6x3.25	20A5

ATV & UTV TYRE SERIES



ATV128



ATV132



ATV133



ATV137

ANTANKER No	SIZE	TYPE	P.R	MAX INFL (P.S.I./KPA)	LOAD (LBS/KGS)	OD (IN/MM)	SW(IN/MM)	RIM TYPE	REMARK
ATTR-ATV128-00	18X9.50-8 (240/50-8)	TL	4	24/165	227/103	18/456	9.6/246	8X7.00	E4
ATTR-ATV128-01	19X7.00-8 (180/80-8)	TL	4	24/165	176/80	18.9/480	6.9/175	8X5.50	E4
ATTR-ATV132-00	21X7.00-10	TL	4	20/135	330/150	20.7/525	6.8/172	10X5.50	
ATTR-ATV133-00	22X11.00-10 (250/60-10)	TL	4	20/135	493/224	21.9/556	10/246	10X8.50	
ATTR-ATV137-00	25X8.00-12 (200/80-12)	TL	4	5/35	290/132	24.8/630	8.0/204	12X6.50	E4
ATTR-ATV137-01	25X8.00-12 (200/80-12)	TL	6	7/45	342/155	25/635	8.0/204	12X6.50	E4
ATTR-ATV137-02	25X10.00-12 (250/65-12)	TL	4	5/35	363/165	24.5/623	9.3/235	12X8.50	E4
ATTR-ATV137-03	25X10.00-12	TL	6	22/165	418/190	24.7/628	9.3.235	12X8.50	E4

ATV & UTV

TYRE SERIES



ATV138

ATV139

ATV140

ATV143

ATV144

ANTANKER#	SIZE	TYPE	P-R	MAX INFL (P.S.I./KPA)	LOAD (LBS/KGS)	OD (IN/MM)	SW(IN/MM)	RIM TYPE	REMARK
ATTR-ATV138-00	145X70-6 (250/50-9)	TL	4	24/165	156/71	13.6/347	5.4/138	6X4.50	
ATTR-ATV139-00	18X9.50-8 (240/50-8)	TL	4	24/165	227/103	18.5/471	8.6/219	8X7.0	
ATTR-ATV139-01	19X7.00-8 (180/80-8)	TL	4	24/165	176/80	18.9/447	7.0/178	8X5.50	
ATTR-ATV139-02	22X10.00-10 (250/60-10)	TL	4	24/165	374/170	22/559	10/254	10X8.0	
ATTR-ATV139-03	23X7.00-10	TL	4	24/165	275/125	23/584	7/178	10X5.5	
ATTR-ATV139-04	27X8-14	TL	6	36/250	550/250	27/686	8/203	14X6.50	
ATTR-ATV139-05	27X11-14	TL	6	36/250	550/250	27/686	11/279	14X9.0	E4
ATTR-ATV143-00	21X7-10	TL	4	25/170	330/150	21/533	7/178	10X5.5	E4
ATTR-ATV144-00	20X10-10	TL	4	20/135	299/136	20/508	10/254	10X8.0	E4
ATTR-ATV144-01	20X11-10	TL	4	20/135	299/136	20/508	11/254	10X8.0	

ATV & UTV TYRE SERIES



ATV150

ATV160

ATV161

ATV168

ANTANKER No	SIZE	TYPE	P.R	MAX INFL (P.S.I./KPA)	LOAD (LBS/KGS)	OD (IN/MM)	SW(IN/MM)	RIM TYPE	REMARK
ATTR-ATV150-00	18X11.00-10	TL	4	10/70	386/175	18.7/475	92/223	10X9.0	
ATTR-ATV160-00	185/45R14	TL	6	22/150	290/12	21/535	6.7/170	14X6.0	
ATTR-ATV160-01	270/30R14	TL	6	22/150	418/190	21/535	9.8/250	14X9.0	
ATTR-ATV161-00	25X8-12	TL	4	5	290/132	635	203	12X6.5AT	38J
ATTR-ATV161-01	25X10-12	TL	4	5	363/115	635	245	12X8.0AT	45J
ATTR-ATV161-02	27X9-14	TL	6	14	638/290	685	225	14X7.0	65J
ATTR-ATV161-03	27X11-14	TL	6	14	735/335	685	275	14X9.0	70J
ATTR-ATV168-00	26X9-12 (225/80-12)	TL	6	32/220	410/185	26/660	9/228.6	12X7.0	E4
ATTR-ATV168-01	26X10-12	TL	6	20/135	299/136	20/508	11/254	10X8.0	E4

ATV & UTV TYRE SERIES



ATV020

ATV021

ATV501

ATV502

ANTANKER#	SIZE	TYPE	P.R	MAX INFL (P.S.I./KPA)	LOAD (LBS/KGS)	OD (IN/MM)	SW(IN/MM)	RIM TYPE	REMARK
ATTR-ATV020-00	245/30-16	TL	6	36/250	492/224	21.8/553	9.6/245		
ATTR-ATV021-01	260/40-10	TL	4	22/150	520/336	18.2/462	10.2/260	10X10	E4
ATTR-ATV021-02	235/30-12	TL	4	22/150	440/220	17.5/446	9.3/235	12X8	E4
ATTR-ATV021-03	185/30-14	TL	4	22/150	275/125	18.4/467	7.3/185	14X6	E4
ATTR-ATV021-04	205/30-14	TL	6	22/150	520/336	19.5/497	9.3/235	14X8	E4
ATTR-ATV021-05	235/30-14	TL	6	22/150	520/336	19.5/497	9.3/235	14X8	E4
ATTR-ATV021-06	270/30-14	TL	6	22/150	519/236	20/517.5	10.6/270	10X10	E4
ATTR-ATV501-00	18/8.50-8	TL	4	450	220	22		8X7	
ATTR-ATV501-01	20x8-10	TL	4	488	190	24	/	10X6	
ATTR-ATV502-00	13x5-6	TL	4	40	440/200	327	119	6X3.5	
ATTR-ATV502-01	13x6.5-6	TL	4	28	462/210	327	150	6X4.5	
ATTR-ATV502-02	15x6-6	TL	4	30	572/260	367	155	6X4.5	
ATTR-ATV502-03	16x6.5-8	TL	4	28	616/280	394	156	8X5.35	
ATTR-ATV502-04	18x8.5-8	TL	4	22	814/370	447	220	8X7	
ATTR-ATV502-05	18x9.5-8	TL	4	24	1034/470	447	234	8X7	
ATTR-ATV502-06	20x8-8	TL	4	22	946/430	488	215	8X6.5	
ATTR-ATV502-07	20x10-8	TL	4	22	1188/540	488	245	8X7	
ATTR-ATV502-08	23x8.5-12	TL	4	22	1122/510	565	210	12X7	
ATTR-ATV502-09	23x9.5-12	TL	4	20	/	565	220	12X7	
ATTR-ATV502-10	23x10.5-12	TL	4	20	1142/610	565	248	12X8.5	
ATTR-ATV502-11	24X12-12	TL	4	32	1018/462	583	281	12X8.5	
ATTR-ATV502-12	26X12-12	TL	4	30	1021/464	660	293	12X8.5	

ATV & UTV TYRE SERIES



ATV109



ATV115 (S)



ATV116

ANTANKER NO.	SIZE	TYPE	P.R	MAX INFL (P.S.I./KPA)	LOAD (LBS/KGS)	OD (IN/MM)	SW(IN/MM)	RIM TYPE	REMARK
ATTR-ATV109-00	18X7.00-8	TL	4	22/165	193/87.5	18.2/462	6.9/176	8X5.50	
ATTR-ATV109-01	19X7.00-8 (180/80-8)	TL	4	24/165	176/80	19.1/486	7.1/181	8X5.50	E4
ATTR-ATV109-02	18X9.50-8 (240/50-8)	TL	4	24/165	227/103	18/456	9.1/231	8X7.00	E4
ATTR-ATV109-03	19X9.50-8	TL	4	20/165	300/136	18.9/481	9.1/231	8X7.00	
ATTR-ATV109-04	20X9.50-8	TL	4	20/165	300/136	20.2/52	8.8/223	8X7.00	
ATTR-ATV109-05	21X7.00-8	TL	4	20/165	234/106	21/534	6.8/174	8X5.50	
ATTR-ATV109-06	AT20X10-10	TL	4	5	260/118	534	234	10X8.0AT	E4 34F
ATTR-ATV109-07	AT21X10-8	TL	4	5	420/190	504	230	10X7.00	50G
ATTR-ATV109-08	AT21X7-10 175X80-10	TL	4	5	205/92	535	175	10X5.5AT	E4 25F
ATTR-ATV115-00	22X10.00-10 (250/60-10)	TL	4	24/165	374/170	22/559	10/254	10X8.00	
ATTR-ATV115-01	22X11.00-10	TL	4	24/165	374/170	21.8/554	10.6/269	10X8.00	
ATTR-ATV115-02	23X7.00-10 (180/90-10)	TL	4	22/165	275/125	23/584	7/178	10X5.50	E4
ATTR-ATV115-03	23X8.00-10	TL	4	24/165	275/125	22.8/579	7.6/193	10X6.50	
ATTR-ATV115-04	24X11.00-10 (280/65-10)	TL	4	24/165	385/175	24/610	11.7/298	10X9.00	E4
ATTR-ATV115-05	24X8.00-12 (200/75-12)	TL	4	24/165	256/121	24/610	8.5/216	12X6.50	E4
ATTR-ATV115-06	25X8.00-12 (200/80-12)	TL	4	5/35	290/132	25/635	7.5/190	12X6.50	E4
ATTR-ATV115-07	25X8.00-12 (200/80-12)	TL	6	7/45	308/140	25/635	7.5/190	12X6.50	E4
ATTR-ATV115-08	25X10.00-12 (250/65-12)	TL	4	5/35	363/165	25.1/638	9.4/238	12X8.50	E4
ATTR-ATV115-09	25X10.00-12 (250/65-12)	TL	6	7/45	363/165	25.1/638	9.4/238	12X8.50	E4

ATV & UTV TYRE SERIES



ATV109



ATV115 (S)



ATV116

ANTANKER NO.	SIZE	TYPE	P.R	MAX INFL (P.S.I./KPA)	LOAD (LBS/KGS)	OD (IN/MM)	SW(IN/MM)	RIM TYPE	REMARK
ATTR-ATV115-10	24X8.00-14 (200/60-14)	TL	4	22/150	430/195	24.8/631	7.9/201	14X6.50	
ATTR-ATV115-11	24X10.00-14 (250/50-14)	TL	4	22/150	495/224	24.6/625	10/251	14X8.50	
ATTR-ATV115S-12	AT25X8.-12	TL	4	5	290/132	620	198	12X6.50A	38J
ATTR-ATV115S-13	AT25X10-12	TL	4	5	365/165	620	240	12X8.00A	45J
ATTR-ATV116-00	145/70-6	TL	4	10/70	156/71	13.7/348	5.8/146	6X4.50	

ATV & UTV TYRE SERIES



ATV116



ATV120



ATV121



ATV122

ANTANKER NO.	SIZE	TYPE	P-R	MAX INFL (P.S.I./KPA)	LOAD (LBS/KGS)	OD (IN/MM)	SW(IN/MM)	RIM TYPE	REMARK
ATTR-ATV116-01	145/70-6	TL	4	10/70	156/71	13.7/348	5.8/146	6X4.50	E4
ATTR-ATV116-02	16X8.00-7 (200/55-7)	TL	4	24/165	160/73	16/406	7.2/182	7X5.50	E4
ATTR-ATV116-03	205/50-7	TL	4	24/165	187/85	15.6/397	7.3/186	7X5.50	E4
ATTR-ATV116-04	16X6.00-8	TL	4	10/70	250/125	16/406	6/125	8X5.50	
ATTR-ATV116-05	16X7.00-8	TL	4	10/70	198/90	16/406	4/178	8X5.50	
ATTR-ATV116-06	18X9.50-8 (240/50-8)	TL	4	24/165	227/103	18/456	9.6/246	8X7.00	E4
ATTR-ATV116-07	19X7.00-8 (180/85-8)	TL	4	5/35	176/80	18.9/480	6.9/175	8X5.50	E4
ATTR-ATV116-08	20X7.00-8 (180/85-8)	TL	4	10/70	191/87	19.9/504	7.0/178	8X5.50	E4
ATTR-ATV116-09	20X10.00-10 (250/50-10)	TL	4	20/135	300/136	21.1/512	9.9/252	10X8.00	E4
ATTR-ATV116-10	21X7.00-10 (175/70-10)	TL	4	25/170	330/150	21.2/538	6.9/174	10X5.50	
ATTR-ATV116-11	22X10.00-10 (250/60-10)	TL	4	10/68	374/170	21.3/516	9.7/246	10X8.00	E4
ATTR-ATV120-00	16X8.00-7 (200/55-7)	TL	4	24/165	160/73	15.9/404	6.9/175	7X5.50	E4
ATTR-ATV120-01	18X9.50-8 (240/50-8)	TL	4	24/165	227/103	18/456	9.6/246	8X7.0	E4
ATTR-ATV120-02	19X7.00-8 (180/80-8)	TL	4	24/165	176/80	19/483	6.7/170	8X5.5	E4
ATTR-ATV120-03	19X7.00-8 (180/80-8)	TL	6	36/250	660/300	19/483	6.7/170	8X5.5	
ATTR-ATV120-04	20X7.00-8 (180/85-8)	TL	4	24/165	191/87	19.9/505	7.1/182	8X5.50	E4
ATTR-ATV120-05	20.5X7.00-8 (240/50-8)	TL	4	24/165	330/150	20.5/521	6.9/175	10X5.50	
ATTR-ATV120-06	21X7.00-10 (170/70-10)	TL	4	24/165	330/150	20.5/521	6.9/175	10X5.50	

ATV & UTV

TYRE SERIES



ATV116



ATV120



ATV121



ATV122

ANTANKER NO.	SIZE	TYPE	P.R	MAX INFL (P.S.I./KPA)	LOAD (LBS/KGS)	OD (IN/MM)	SW(IN/MM)	RIM TYPE	REMARK
ATTR-ATV120-07	22X10.00-10 (250/60-10)	TL	4	24/165	440/150	21.9/557	10.1/256	10X8.00	E4
ATTR-ATV120-08	23X7.00-10	TL	4	24/165	290/132	22.3/576	7.8/198	10X5.50	
ATTR-ATV120-09	25X8.00-12 (200/80-12)	TL	4	20/135	290/132	24.5/621	7.8/198	12X5.50	E4
ATTR-ATV120-10	25X10.00-12	TL	4	20/135	363/165	25/637	9.7/245	12X8.00	E4
ATTR-ATV121-00	22X10(11)-10	TL	4	10/70	480/218	20.7/526	10/253	10X8.00	E4
ATTR-ATV122-00	22X10.00-10 (250/60-10)	TL	4	24/165	374/170	21.3/541	10/254	10X8.00	E4

ATV & UTV TYRE SERIES



ATV123



ATV124



ATV125



ATV127

ANTANKER NO.	SIZE	TYPE	P.R	MAX INFL (P.S.I./KPA)	LOAD (LBS/KGS)	OD (IN/MM)	SW(IN/MM)	RIM TYPE	REMARK
ATTR-ATV123-00	24X10.00-10 (250/50-14)	TL	4	22/150	493/224	24.5/620	9.2/233	14X8.50	E4
ATTR-ATV123-01	24X8.00-14 (200/60-14)	TL	4	22/150	429/195	24.4/620	7.3/185	14X6.50	E4
ATTR-ATV124-00	21X7.00-10 (175/70-10)	TL	4	25/170	330/150	21/533	6.9/175	10X5.50	
ATTR-ATV124-01	AT21X7-10	TL	4	15	275/125	493	180	10X5.50AT	36F
ATTR-ATV125-00	25X8.00-12 (200/80-12)	TL	4	5/35	290/132	24.8/630	7.8/198	12X6.50	E4
ATTR-ATV125-01	25X8.00-12 (200/80-12)	TL	6	7/45	342/155	24.8/630	7.8/198	12X6.50	
ATTR-ATV125-02	25X10.00-12 (250/65-12)	TL	4	5/35	364/165	24.9/632	9.7/247	12X8.50	E4
ATTR-ATV125-03	25X10.00-12 (250/65-12)	TL	6	7/45	419/190	24.9/632	9.7/247	12X8.50	E4
ATTR-ATV127-00	20X10.00-9 (250/50-9)	TL	4	24/165	260/118	20/509	9.9/251	9X8.50	E4
ATTR-ATV127-01	22X11.00-10 (280/55-10)	TL	4	24/165	493/224	22.4/569	10.7/272	10X8.50	E4

ATV & UTV TYRE SERIES



ATV503



ATV504



ATV506



ATV507



ATV510



ATV511



ATV512



ATV513

ANTANKER NO	SIZE	TYPE	P.R	MAX INFL (P.S.I./KPA)	LOAD (LBS/KGS)	OD (IN/MM)	SW(IN/MM)	RIM TYPE	REMARK
ATTR-ATV503-00	AT20X7-10	TL	4	5	205/92	501	163	10X5.50	25J
ATTR-ATV504-00	AT19X10-9	TL	4	5	240/109	498	232	9X8.00	31J
ATTR-ATV506-00	16X7-8	TL	4	5	175/80	400	166	8X5.50	25F
ATTR-ATV507-00	185/30-14M/C	TL	4	22	275/125	485	170	14X6.00	E4 36M
ATTR-ATV507-01	270/30-14M/C	TL	4	22	415/190	532	250	14X9.00	E4 50M
ATTR-ATV510-00	4.80-8	TL	2	20	435/200	410	111	8X3.50	
ATTR-ATV511-00	AT22X10-10 (250/60-10)	TL	4	7	440/200	550	236	10X8.00	E4 52N
ATTR-ATV511-01	AT23X7-10 (180/90-10)	TL	4	7	275/125	575	180	10X5.50	E4 36F
ATTR-ATV512-00	AT21X7-10 (250/60-10)	TL	4	5	330/150	522	168	10X5.50	E4 42N
ATTR-ATV512-01	AT22X10-10 (255/60-10)	TL	4	5	440/200	559	254	10X8.00	E4 52N
ATTR-ATV513-00	AT20X11-10 (280/45-10)	TL	4	5	330/150	512	256	10X8.00	E4 42L

ATV & UTV TYRE SERIES



ATV801

ATV802

ATV803

ATV804

ANTANKER NO	SIZE	TYPE	P.R	MAX INFL (P.S.I./KPA)	LOAD (LBS/KGS)	OD (IN/MM)	SW(IN/MM)	RIM TYPE	REMARK
ATTR-ATV801-00	32X10R14	TL	8	18	1293/580	812	250	14X7.00	
ATTR-ATV801-01	32X10R14	TL	8	18	1293/580	812	250	14X7.00	
ATTR-ATV802-00	25X8-12	TL	6	7	340/155	635	203	12X6.0AT	
ATTR-ATV802-01	25X10-12	TL	6	7	420/190	635	250	12X8.0AT	
ATTR-ATV802-02	26X9-12	TL	6	7	410/185	660	228	12X7.0AT	
ATTR-ATV802-03	26X11-12	TL	6	7	480/218	660	278	12X9.0AT	
ATTR-ATV803-00	28X10-14	TL	8	18	1134/515	718	235	14X7.00	
ATTR-ATV803-01	30X10-14	TL	8	18	1134/515	775	235	14X7.00	
ATTR-ATV804-00	28X10R14	TL	8	18	1134/515	718	235	14X7.00	
ATTR-ATV804-01	30X10R-14	TL	8	18	1134/515	775	235	14X7.00	

ATV & UTV TYRE SERIES



ATV805

ATV104

ATV117

ATV126

ANTANKER NO	SIZE	TYPE	P.R	MAX INFL (P.S.I./KPA)	LOAD (LBS/KGS)	OD (IN/MM)	SW(IN/MM)	RIM TYPE	REMARK
ATTR-ATV-805-00	23X8-11	TL	6	7	295/134	584	203	11/6.50AT	
ATTR-ATV805-01	24X9-11	TL	6	7	355/160	610	228	11X7.00AT	
ATTR-ATV-805-02	24X10-11	TL	6	7	390/175	610	245	11X8.00AT	
ATTR-ATV805-03	24X8-12	TL	6	7	310/140	610	203	12X6.50AT	
ATTR-ATV-805-04	25X8-12	TL	6	7	340/155	635	203	12X6.50AT	
ATTR-ATV805-05	25X10-12	TL	6	7	420/190	635	245	12X8.00AT	
ATTR-ATV-805-06	25X11-12	TL	6	7	460/206	635	245	12X8.00AT	
ATTR-ATV805-07	25X11-10	TL	6	7	460/206	635	279	10X8.50AT	
ATTR-ATV104-00	18X8.50-8 (215/60-8)	TL	4	24/165	220/100	17.5/445	8.1/205	8X7.00	E4
ATTR-ATV117-00	18X8.50-8 (215/60-8)	TL	4	24/165	220/100	17.5/445	8.1/205	8X8.00	E4
ATTR-ATV117-01	20.5X8-10	TL	8	90/620	1520/690	20.5/520	8/203.2	10X6.00	
ATTR-ATV1117-02	22X10.00-10 (250/60-10)	TL	4	24/165	374/170	21.9/557	10/256	10X7.00	
ATTR-ATV126-00	205/50-10 (18X8.00-10)	TL	4	30/145	665/302	17.5/445	8.1/207	8X7.00	E4

LAWN MOWER/SNOW&MUD TYRE SERIES



LM-028



LM-114



LM-115



LM-129



LM-141



LM-142



LM-158



LM-818

ANTANKER NO	SIZE	TYPE	P.R	MAX INFL (P.S.I./KPA)	LOAD (LBS/KGS)	OD (IN/MM)	SW(IN/MM)	RIM TYPE	REMARK
ATTR-LM028-00	4.00-8	TL	4	40/280	583/265	16.5/420	4/101	8x3.75	
ATTR-LM114-00	15x5.50-6	TL	4	24/165	330/150	14.7/372	5.6/142	6x4.50	
ATTR-LM114-01	15x5.50-7	TL	4	24/165	176/80	15.2/385	6.3/161	7x5.50	
ATTR-LM114-02	15x5.50-8	TL	4	24/165	165/71	16/406	7.1/182	8x5.00	
ATTR-LM114-03	18x6.50-8	TL	4	24/165	165/75	17.8/452	6.7/170	8X5.00	E4
ATTR-LM114-04	AT22X10-10	TL	4	5	440/200	566	241	10X8.00	E4 52N
ATTR-LM115-00	4.10/3.40-4	TL	4	50/345	380/170	11.25/286	3.95/100	4X2.5	
ATTR-LM129-00	4.10-6	TL	4	24/165	290/130	13/330	4.0/101	6X3.00	
ATTR-LM129-01	13X5.00-6	TL	4	20/140	295/134	12.8/325	4.9/123	6X3.50	
ATTR-LM141-00	4.10-6	TL	4	24/165	290/130	12.9/328	4.1/103	6X3.25	
ATTR-LM141-01	14X5.00-6	TL	4	24/165	308/140	14/355	4.8/121	6X3.25	
ATTR-LM141-02	15X5.00-6	TL	4	18/125	308/140	15/381	5.0/127	6X3.25	
ATTR-LM142-00	13X4.1-6	TL	4	24/165	290/130	12.9/328	4.1/103	6X3.25	
ATTR-LM142-00	15X6.5-7	TL	4	24/165	176/80	15/381	6.5/125	7X5.0	
ATTR-LM142-00	16X6.50-8	TL	4	24/165	396/180	16.1/410	6.3/160	8X5.50	
ATTR-LM158-00	18X6.50-8	TL	4	24/165	165/75	17.8/452	6.7/170	8X5.00	
ATTR-LM158-01	at16x8-7	TL	4	5	275/125	404	164	7X4.75	E4 36L
ATTR-LM818-00	4.00-7	TL	4	50/345	290/132	14.8/377	4.1/105	7X2.5	

LAWN MOWER TYRE SERIES



LM-102



LM-103



LM-105



LM-106



LM-111



LM-112



LM-113

ANTANKER NO	SIZE	TYPE	P.R	MAX INFL (P.S.I./KPA)	LOAD (LBS/KGS)	OD (IN/MM)	SW(IN/MM)	RIM TYPE	REMARK
ATTR-LM102-00	145/70-6	TL	4	24/165	154/70	14.4/365	5.0/125	6X4.50	E4
ATTR-LM102-01	21X7-8	TL	4	20/140	234/106	21.4/543	6.0/152	8X5.50	
ATTR-LM102-02	22X11-8	TL	4	20/70	396/180	22.1/563	9.3/235	8X8.00	
ATTR-LM103-00	13X5.00-6	TL	4	24/165	396/180	12.8/325	4.7/118	6X3.50	
ATTR-LM103-01	13X6.50-6	TL	4	24/165	460/218	13/330	6.1/150	6X4.50	
ATTR-LM105-00	13X5.00-6	TL	4	24/165	396/180	12.8/325	4.9/123	6X3.50	
ATTR-LM105-01	13X6.50-6	TL	4	24/165	156/71	13.3/335	7.0/180	6X4.50	E4
ATTR-LM106-00	11X4.00-4	TL	4	22/150	220/100	11/282	4/102	4X3.00	
ATTR-LM106-01	11X4.00-5	TL	4	80/550	220/100	11/282	4/104	5X3.00	
ATTR-LM106-02	13X5.00-6	TL	4	28/195	295/134	12.6/320	4.8/122	6X3.50	
ATTR-LM106-03	13X6.50-6	TL	4	24/165	156/71	12.3/335	6.7/170	6X4.50	E4
ATTR-LM106-04	15X6.00-6	TL	4	14/95	356/166	14.4/366	6.1/155	6X4.50	
ATTR-LM106-05	4.8/400-8	TL	4	35/240	435/200	16/406	4.9/126	8X3.75	
ATTR-LM106-06	18X8.5-8	TL	4	10	515/235	455	203	8X7.0	
ATTR-LM106-07	20X8.00-8	TL	4	22	950/430	485	215	8X6.50	
ATTR-LM106-08	22X10-10	TL	4	22	1346/611	565	256	10X8.00	
ATTR-LM111-00	18X9.5-8	TL	4	24/1.7	227/103	17.7/450	9.6/246	8X7.00	E4
ATTR-LM111-01	AT21X10-8	TL	4	5	420/190	495	212	8X7.00	50G
ATTR-LM112-00	145/70-6	TL	4	24/165	156/71	14.4/365	5.0/125	6X4.50	E4
ATTR-LM112-01	19X7.00-8	TL	4	24/165	176/80	18.9/480	6.9/175	8X5.50	E4
ATTR-LM113-00	145/70-6	TL	4	24/165	156/71	14.4/365	5.0/125	6X4.50	E4
ATTR-LM113-01	19X7.00-8	TL	4	24/165	176/80	18.9/480	6.9/175	8X5.50	E4

LAWN MOWER/SNOW&MUD TYRE SERIES



LM-110



LM-120



LM-130



LM-131



LM-134



LM-136



LM-145



LM-146



LM-148

ANTANKER NO	SIZE	TYPE	P-R	MAX INFL (P.S.I./KPA)	LOAD (LBS/KGS)	OD (IN/MM)	SW(IN/MM)	RIM TYPE	REMARK
ATTR-LM110-00	16x8-7	TL	4	24/165	160/71	16/406	7.2/182	7X5.50	E4
ATTR-LM110-01	21X7-8	TL	4	20/150	234/106	21.4/543	6.0/152	8X5.50	
ATTR-LM110-02	22X11-8	TL	4	20/150	396/180	22.1/563	9.3/235	8X7.00	
ATTR-LM126-00	13X5-.6	TL	4	24/165	396/180	12.8/325	4.7/118	6X3.50	
ATTR-LM130-00	22X11-10	TL	4	24/165	493/224	22/559	10.7/272	10X8.50	
ATTR-LM130-01	22X11-10	TL	6	36/250	781/355	22/559	10.7/272	10X8.50	
ATTR-LM131-00	145/70-6	TL	4	24/165	156/71	13.6/347	5.0/125	6X4.50	
ATTR-LM131-01	16X8-7	TL	4	24/165	160/73	16/406	6.1/155	7X5.00	
ATTR-LM131-02	20X10-10	TL	4	5	260/118	534	234	10X8.00AT	34F
ATTR-LM131-03	AT21X7-10	TL	4	5	205/92	535	175	10X5.50AT	25F
ATTR-LM134-00	4.10-6	TL	4	24/165	290/130	13/330	4.0/101	6X3.00	
ATTR-LM134-01	15X5-7	TL	4	24/165	160/73	15.1/384	5.7/145	7X4.50	
ATTR-LM134-02	19X7-8	TL	4	24/165	176/80	18.9/480	6.9/175	7X5.00	
ATTR-LM134-03	AT21X7-10	TL	4	5	330/150	540	170	10X5.50	E4 42N
ATTR-LM134-04	AT22X7-10	TL	4	5	220/100	540	170	10X5.50	28J
ATTR-LM136-00	4.10/3.50-6	TL	4	30/165	330/150	12.3/313	4.0/102	6X3.25	
ATTR-LM145-00	16X6.50-8	TL	4	24/165	396/180	16.1/410	6.3/160	8X5.50	
ATTR-LM146-00	140-6	TL	4	24/165	396/180	16.1/410	6.3/160	8X5.50	
ATTR-LM148-00	18X8.5-8	TL	4	24/165	396/180	16.1/410	6.3/160	8X5.50	

Wheel

Wheel

For guage wheel for riding mower



Antanker No.	Dimensions	Bore	Hub length	Material	MOQ
ATWH-3002101	2.5"X3"	11/16" (18MM)	3" (74MM)	Plastic	50
ATWH-3003101	3"X3"	1/2" (12.8MM)	3 1/2" (90MM)	Plastic	50
ATWH-3003102	3"X7"	1/2" (12.8MM)	7" 187MM	Plastic	50
ATWH-3054101	4"X1.375"	1/2" (12.8MM)	1 1/2" (38MM)	Plastic, powder shaft sleeve	50
ATWH-3004102	4"X3"	5/8" (16MM)	4" (90MM)	Plastic	50
ATWH-3005102	5"X2"	5/8" (16MM)	1 7/8" (46MM)	Plastic	50

Wheel

For guage wheel for riding mower



Wheel

For guage wheel for riding mower



Wheel

For guage wheel for riding mower



Wheel

For guage wheel for riding mower



Wheel

For guage wheel for riding mower



Get more next page



Antanker Parts

Guage wheel for your riding mowers

Keep balance and move smoothly.



We supply more than you thought

Antanker No.	Dimensions	Bore	Hub length	Material	MOQ
ATWH-3005103	5"X2"	1/2" (12.8MM)	1 1/2" (38MM)	Plastic	50
ATWH-3005104	5"X2.375"	1/2" (12.8MM)	1 1/2" (38MM)	Plastic	50
ATWH-3035106	5"X2.625"	5/8" (16MM)	3" (76MM)	Plastic, nylon shaft sleeve	50
ATWH-3055107	5"X2.625"	1/2" (12.8MM)	2 1/2" (63MM)	Plastic, powder shaft sleeve	50
ATWH-3055109	5"X2.625"	1/2" (12.8MM)	2 1/2" (63MM)	Plastic, powder shaft sleeve	50



Wheel
For guage wheel for riding mower



Wheel
For guage wheel for riding mower



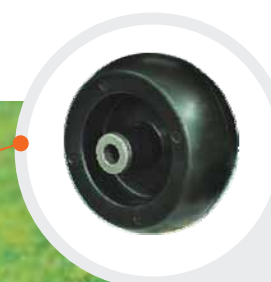
Wheel
For guage wheel for riding mower



Wheel
For guage wheel for riding mower



Wheel
For guage wheel for riding mower



High quality guage wheel keeps riding mower function perfectly.

Wheel



Wheel

For lawn mower , wheelbarrow,
luggage barrow, garden tool

Antanker No.	Dimensions	Bore	Hub length	Material	MOQ
Plastic wheel					
	6"X1.5"	1/2" (12.8MM)	1 3/8" (35MM)	Plastic	50
A <u>112</u>					
	6"X1.75"	1/2" (12.8MM)	1 1/2" (38MM)	Plastic	50
<u>ATWH-3306113</u>					
	6"X1.75"	1/2" (12.8MM)	1 1/4" (32MM)	Plastic	50
<u>ATWH-3306114</u>					
	8"X1.75"	1/2" (12.8MM)	1 5/8" (42MM)	Plastic, bearing shaft sleeve	50
A1 <u>30</u>					
	8"X2"		1 5/8" (42MM)	Plastic, bearing shaft sleeve	50
<u>ATWH-3358132</u>					
Rubber wheel					
	8"X1.75"	1/2" (12.8MM)	1 5/8" (42MM)	Rubber, bearing shaft sleeve	50
<u>ATWH-3368134</u>					
	5"X1.5"	3/8" (9.6MM)	1 1/2" (37MM)	Rubber	50
<u>ATWH-23005111</u>					



	Antanker No.	Dimensions	Bore	Hub length	Material	MOQ
Rubber wheel						
<p>Wheel For lawn mower , wheelbarrow and other tool vehicle</p> 	ATWH-23008126	8"X2"	1/2" (12.8MM)	1 3/8" (35MM)	Rubber	50
<p>Wheel For lawn mower , wheelbarrow and other tool vehicle</p>	ATWH-23008127	8"X1.75"	1/2" (12.8MM)	1 1/2" (38MM)	Rubber	50
<p>Wheel For lawn mower , wheelbarrow and other tool vehicle</p> 	ATWH-23608128	8"X2"	5/16" (8MM)	1 5/8" (41MM)	Rubber, bearing/ powder shaft sleeve	50





Wheel for lawn mower , wheelbarrow and other tool vehicle

Wheel
For lawn mower



ATWH-23218129	8"X2"	1/2" (12.8MM)	1 3/4" (44MM)	Rubber, bearing shaft sleeve	50
---------------	-------	------------------	------------------	------------------------------------	----

Antanker No.	Dimensions	Bore	Hub length	Material	MOQ	
						Rubber wheel
ATWH-23007111	7"X1.5"	1/2" (12.8MM)	1 3/8" (35MM)	Rubber	50	 <p>Wheel For lawn mower , wheelbarrow and other tool vehicle</p>
ATWH-23008111	8"X1.75"	1/2" (12.8MM)	1 3/8" (35MM)	Rubber	50	 <p>Wheel lawn mower , wheelbarrow and other tool vehicle</p>
ATWH-23008117	8"X1.75"	1/2" (12.8MM)	1 3/8" (35MM)	Rubber	50	 <p>Wheel For lawn mower , wheelbarrow and other tool vehicle</p>
ATWH-23008118	8"X1.75"	3/8" (9.6MM)	2" (50MM)	Rubber	50	 <p>Wheel For lawn mower , wheelbarrow and other tool vehicle</p>
ATWH-23008120	8"X1.75"	1/2" (12.8MM)	1 3/8" (35MM)	Rubber	50	 <p>Wheel For lawn mower , wheelbarrow and other tool vehicle</p>
ATWH-23208121	8"X1.75"	1/2" (12.8MM)	1 3/8" (35MM)	Rubber, bearing shaft sleeve	50	 <p>Wheel For lawn mower , wheelbarrow and other tool vehicle</p>
ATWH-21208122	8"X1.75"	1/2" (12.8MM)	1 3/8" (35MM)	Rubber, bearing shaft sleeve	50	 <p>Wheel For lawn mower , wheelbarrow and other tool vehicle</p>
ATWH-23308125	8"X2"	1/2" (12.8MM)	1 3/8" (35MM)	Rubber, nylon shaft sleeve	50	 <p>Wheel For lawn mower , wheelbarrow and other tool vehicle</p>

	Antanker No.	Dimensions	Bore	Hub length	Material	MOQ
Rubber wheel						
Wheel For lawn mower 	ATWH-23518137	8"X2"	1/2" (12.8MM)	2 1/2" (63MM)	Rubber, bearing shaft sleeve	50
Wheel For lawn mower 	ATWH-23509102	9"X2.125"	1/2" (12.8MM)	1 3/8" (35MM)	Rubber, powder shaft sleeve	50



Your grass is our business.
 Your satisfaction is our pleasure.
 Let Antanker wheels care it.

	Antanker No.	Dimensions	Bore	Hub length	Material	MOQ
Rubber wheel						
Wheel For lawn mower , wheelbarrow and other tool vehicle 	ATWH-23209103	9"X2.125"	1/2" (12.8MM)	1 3/8" (35MM)	Rubber, powder shaft sleeve	50
Wheel For lawn mower , wheelbarrow and other tool vehicle 	ATWH-23009104	9"X1.75"	9/16" (14.29MM)	1 5/8" (41MM)	Rubber	50
Wheel For lawn mower , wheelbarrow and other tool vehicle 	ATWH-23509101					



Wheel

Antanker No.	ATWH-23201201	ATWH-21201205	ATWH-23201401	ATWH-21201402
				
Dimensions	12"X1.75"	12"X1.75"	14"X1.75"	14"X1.75"
Bore	1/2"(12.8MM)	1/2"(12.8MM)	1/2"(12.8MM)	1/2"(12.8MM)
Hub length	2 1/2"(62MM)	2 1/2"(62MM)	2 1/2"(62MM)	3 1/4"(82MM)
Material	Rubber, bearing shaft sleeve	Rubber, bearing shaft sleeve	Rubber, bearing shaft sleeve	Rubber, bearing shaft sleeve
MOQ	50	50	50	50




	Antanker No.	Dimensions	Bore	Hub length	Material	MOQ	
Rubber wheel							
Wheel For lawn mower , wheelbarrow, luggage barrow and other tool vehicle		ATWH-23001003	10"X1.75"	1/2" (12.8MM)	1 3/4" (44MM)	Rubber	50
Wheel For lawn mower , wheelbarrow, luggage barrow, and other tool vehicle		ATWH-23001004	10"X1.75"	1/2" (12.8MM)	1 1/2" (38MM)	Rubber	50
Wheel For lawn mower , wheelbarrow, luggage barrow, other tool vehicle		ATWH-23001006	10"X1.75"	1/2" (12.8MM)	1 3/4" (44MM)	Rubber	50

Wheel

For generator,
air compressor,
wheelbarrow



Dimensions	Bore	Hub length	Material	MOQ	
Rubber wheel					
8"X1.75"	3/8" (9.6MM)	2" (50MM)	Rubber	50	 ATWH-23008115
8"X1.75"	1/2" (12.8MM)	1 3/8" (35MM)	Rubber	50	 ATWH-23008101
10"X1.75"	1/2" (12.8MM)	1 1/2" (38MM)	Rubber	50	 ATWH-23001005

Dimensions	Bore	Hub length	Material	MOQ	
 ATWH-21509105	9"X1.75"	1/2" (12.8MM)	1 3/4" (44MM)	Rubber, powder shaft sleeve	50
 ATWH-21209109	9"X1.75"	1/2" (12.8MM)	1 3/4" (44MM)	Rubber, bearing shaft sleeve	50
 ATWH-21201001	10"X2.75"	5/8" (16MM)	2 3/4" (69MM)	Rubber, bearing shaft sleeve	50
 ATWH-21201002	10"X1.75"	1/2" (12.8MM)	1 3/4" (44MM)	Rubber, bearing shaft sleeve	50
 ATWH-23001007	10"X1.75"	1/2" (12.8MM)	1 3/4" (44MM)	Rubber, bearing shaft sleeve	50

Antanker Wheel

Perfect rubber material, with bearing, shaft for generator, air compressor etc.

Need every exterior and interior parts please kindly come to Antanker.



Wheel

	Antanker No.	Dimensions	Bore	Hub length	Material	MOQ
Rubber wheel						
Wheel For snow sweeper, wheelbarrow and garden tools	ATWH-21206103	6"X1.5"	1/2" (12.8MM)	1 3/8" (35MM)	Rubber, bearing shaft sleeve	50



Wheel for snow sweeper, wheelbarrow and garden tools



ATWH-23006104



ATWH-23006105



ATWH-21206106



ATWH-23006107



Dimensions

6"X1.5"

6"X1.5"

6"X1.5"

6"X1.5"

Bore

3/8"(9.6MM)

1/2"(12.8MM)

1/2"(12.8MM)

3/8"(9.6MM)

Hub length

1 1/2"(37MM)

1 5/8"(41MM)

1 3/8"(35MM)

1 1/4"(32MM)

Material

Rubber

Rubber

Rubber, bearing shaft sleeve

Rubber

MOQ

50

50

50

50



Wheel above can be used in your snow sweeper,
wheel barrow and garden tools

ATWH-23006108



Dimensions

6"X1.5"

Bore

1/2"(12.8MM)

Hub length

1 5/8"(41MM)

Material

Rubber

MOQ

50

ATWH-21206109



6"X1.5"

1/2"(12.8MM)

1 3/8"(35MM)

Rubber, bearing shaft
sleeve

50

ATWH-23006111



6"X1.5"

1/2"(12.8MM)

1 3/8"(35MM)

Rubber

50

ATWH-23207104



7"X1.5"

1/2"(12.8MM)

1 3/8"(35MM)

Rubber, bearing shaft
sleeve

50



ATWH-21208116



Dimensions	8"X1.75"
Bore	1/2"(12.8MM)
Hub length	1 3/8"(35MM)
Material	Rubber, bearing shaft sleeve
MOQ	50



Wheel

For air compressor, washing machine and lawn mower



Wheel

For air compressor, washing machine and lawn mower



Wheel

For air compressor, washing machine and lawn mower



Wheel

For air compressor, washing machine and lawn mower



Antanker No.	Dimensions	Bore	Hub length	Material	MOQ
ATWH-23007105	7"X1.5"	3/8"(9.6MM)	2"(51MM)	Rubber	50
ATWH-21207106	7"X1.5"	1/2"(12.8MM)	1 3/8"(35MM)	Rubber, bearing shaft sleeve	50
ATWH-23007107	7"X1.5"	1/2"(12.8MM)	1 3/8"(35MM)	Rubber	50
ATWH-23007108	7"X1.5"	3/8"(9.6MM)	2"(51MM)	Rubber	50



SHOP ONLINE

[HTTP:// STORE.ANTANKER.COM/](http://store.antanker.com/)



Antanker Parts China Limited

Tel: +86-571-85457076

Fax: +86-571-85424688

www.antanker.com

E-mail: info@antanker.com

No.15A-6 Building B, The Wanda Plaza, 666th HangXing Road, Hangzhou, China